

# ORACLE®

## 2015+ DODGE CHALLENGER COLORSHIFT DRL INSTALLATION GUIDE



SCREWDRIVER



DREMEL TOOL



10 MM



T-10 TORX



DRILL



SEALANT



CLAMPS



**vimeo**

WATCH THE ENTIRE INSTALL AT  
[WWW.VIMEO.COM/2676453](http://WWW.VIMEO.COM/2676453) | |



**WARNING**  
HEADLIGHT WILL BE "HOT"  
USE CAUTION WHEN HANDLING

USING THE HEATING METHOD:  
IF USING A HEAT GUN BEGIN BY HEATING THE SEAL EVENLY  
WHILE CONSTANTLY MOVING THE HEAT GUN. IF USING AN OVEN:  
PREHEAT TO 225°F AND PLACE THE LIGHT IN THE OVEN FOR 12 MINUTES.

### OPENING THE HEADLIGHT:



A) Before you heat the headlight in the oven, you need to cut through the seal at this location. Make a circular cut with a dremel tool, until you make your way through the seal. The image highlighted in red offers a close up after this piece has been cut completely. This CANNOT be done in the oven via heating.



B) Once heated, begin separating the headlight lens and the headlight housing using a screwdriver. Work around the headlight prying the heated sealant until the two pieces begin to separate. This step is somewhat tedious, take your time. If the headlight is not separating easily, place it back in the oven for another five minutes and then continue the process of prying through the sealant.

### REMOVING THE HALO HOUSING:



C) Once the lens is separated from the housing, you may begin removing the stock halo diffusers. You will need a 10MM socket and a T-10 torx bit.



D) Remove the five 10MM bolts and take the bezel off the housing. The locations of the bolts are marked in red circles.

### INSTALLING THE DRLS:



E) Next, remove the four T-10 torx screws and take out the diffuser rings. The locations of the screws are marked in blue squares.



F) Disconnect and remove the old DRL boards. Set your new ORACLE ColorSHIFT DRL Boards into their respective spots on top of the bezel.

G) You can now route the halo wires out the headlight through the opening on the projector side of the housing. This image shows the wires running around the projector components and out the back. We will make a hole in the back cover to route the wires.



## RE-ASSEMBLING THE HEADLIGHT:

H) You may now begin re-assembling the headlight. (optional) Install the plastic factory diffuser rings on top of the ORACLE DRL Boards. .



I) Re-install the five 10MM bolts. The locations of the bolts are marked in red circles.

J) Next, re-install the four T-10 torx screws. The locations of the screws are marked in blue squares.

K) Now using a drill, make a small hole in the back of the projector housing cap. This cap is located on the back of the headlight. Route the halo wires out the the headlight and through this cap. Seal hole with silicone on both sides.

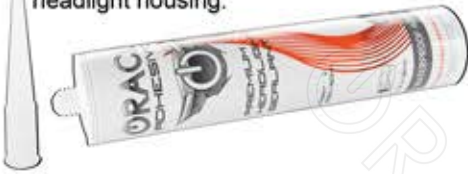


## SEALING THE HEADLIGHT:

- Make sure there is no dust or debris inside the housing
- Use compressed air to remove any debris
- Re-install any parts of the headlight that were removed
- Make sure no wires are tangled and are routed properly
- Tighten down all screws that were removed

For Best Results use ORACLE Headlight Sealant

- Form a solid bead of silicone inside the sealant channel, in between the headlight lens and the headlight housing.



ORACLE PREMIUM HEADLIGHT SEALANT  
10FL OZ. TUBE  
\$7.99

Scan the QR code or click on it to buy!



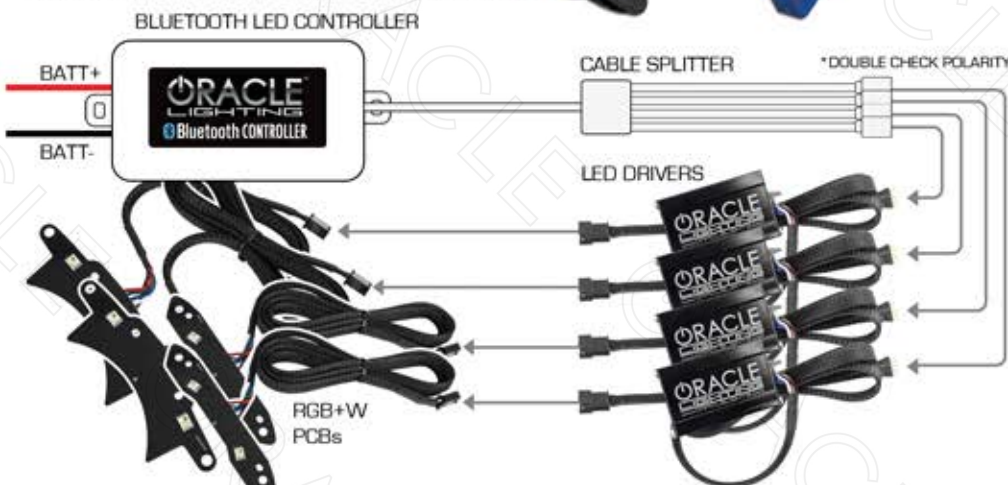
## CLAMPING THE HEADLIGHT:

- Wipe away any excess silicone that is not used.
- Now clamp the lens to the housing and let it sit long enough for the silicone to fully cure. Follow the instructions on the label of the silicone you used for the exact drying time.

Each headlight is different. If you do not like using clamps to hold the light for curing you may also try vise-grips, ratchet straps, or any other means to hold the lens and the housing together.



## WIRING THE HEADLIGHTS:



### INSTALLATION INSTRUCTIONS:

- 1) CONNECT RGB+W PCB TO DRIVER
- 2) CONNECT DRIVER TO CONTROLLER
- 3) CONNECT CONTROLLER TO POWER

### DOWNLOAD INSTRUCTIONS:

Apple: "Magic LED Light v2"  
Android: "Magic Light - BLE"