

# ORACLE®

2005-2010 CHRYSLER 300-C



## HEADLIGHT HALO INSTALLATION GUIDE

### TOOLS:



**STEP #1:** IN ORDER TO OPEN THE LIGHT WE WILL FIRST NEED TO HEAT THE HOUSING. IF USING A HEAT GUN BEGIN BY HEATING THE SEAL EVENLY WHILE CONSTANTLY MOVING THE HEAT GUN. IF USING AN OVEN: PREHEAT TO 225°F AND PLACE THE LIGHT IN THE OVEN FOR 10 MINUTES.



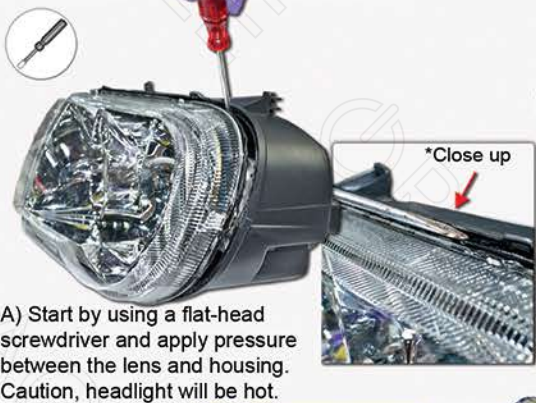
- PRE-HEAT THE OVEN TO 225°F (OR 100°C)
- CENTER LIGHT IN OVEN FOR EVEN HEATING
- SET TIMER FOR 10 MIN (GAS OR ELECTRIC)



SCAN TO WATCH Halo Install DIY VIDEO



### OPENING THE HEADLIGHT:



A) Start by using a flat-head screwdriver and apply pressure between the lens and housing. Caution, headlight will be hot.



B) Work your way around the housing with a screwdriver. Prying through the sealant until the lens and the housing separate. Take your time on this step.

C) If the lens does not separate from the headlight housing, re-heat the light for 5 minutes and try again. Now separate the chrome housing from the lens.



### DRILLING:



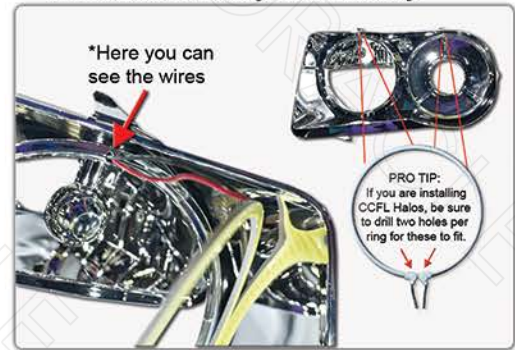
First, drill a small hole into the chrome housing. This is where you will run the halo wires through.



PRO TIP: Drill from the back

Again, drill another small hole into the chrome housing. Be precise with drilling. You do not want to scratch the chrome surface.

Feed the wires through the holes you have just drilled before removing the 3M backing.



### INSTALL THE RINGS:

Be sure the surface is clean (wipe w/ alcohol)  
Remove the 3M backing to expose the 3M adhesive.



Line up the ring and press into place. Hold with some pressure to secure. As an extra precaution, you may add additional adhesive to the mounting surface of the ring.



### TEST THE RINGS:

You can test the rings using your vehicle's battery or use a 12V drill battery.

- Connect the RED wire to "+"
- Connect the BLACK wire to "-"



## CONTINUED....

### ROUTE THE WIRES:

- The best method to route the wires outside of the headlight is to feed them through the existing vents.
- Remove the two grey caps with a screwdriver. Feed the wires through, and snap the caps back on.

\*See close up on the right.



Back of chrome housing for referring to wire exit..

This isn't the only way to route the wires, however this the easiest way to do it without drilling any holes. We recommend using this method.

### RE-SEALING THE HEADLIGHT:

- Check that there is no dust or debris in the light.
- Use compressed air to blow out before reassembly.
- Apply a seamless bead of outdoor grade silicone to the sealant channel.
- You are now ready to re-install the lens back onto the housing.

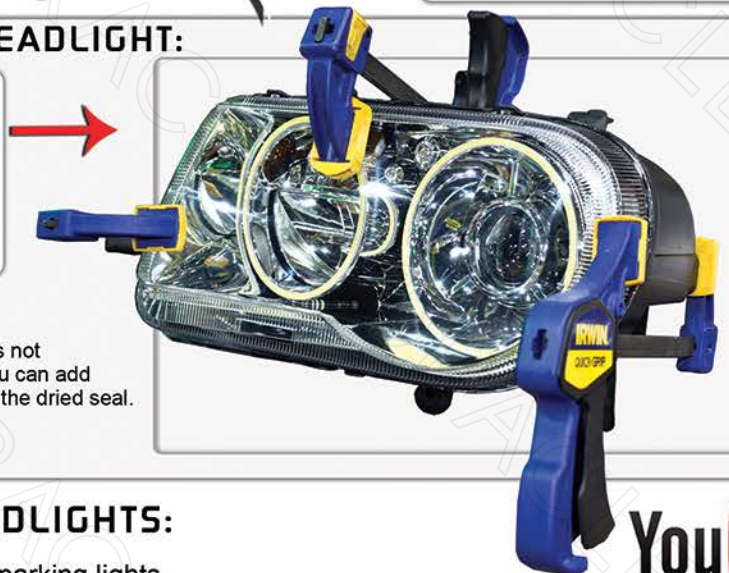


# ALMOST DONE!

Remember to tighten down all bolts and screws that you may have loosened or removed. Check for any smudges on the lens or chrome, gently wipe away if there are any.

### CLAMPING THE HEADLIGHT:

Now clamp the lens to the housing and let it sit long enough for the seal to fully set. If you used any type of sealant or silicone follow the instructions on the label for drying time.



Each headlight is different if you do not like using the clamps to hold the light for curing you may also try vise-grips, ratchet straps, or any other means to hold the lens and the housing together.

\*Additional Sealant  
If you feel that the seal is not completely watertight you can add a "wicking" silicone over the dried seal.



### WIRING THE HEADLIGHTS:

Option #1- Connect to the parking lights. This is great if you have white or amber halos that you want to turn on and off by using the factory headlight switch. (Halos will stay on with the headlights).

Option #2- Wireless Controller.

Visit <https://www.oraclelights.com/collections/oracle-remotes-and-switches> to see the selection of controllers.

Option #3- Toggle Switch.

Visit <https://www.oraclelights.com/pages/halo-wiring-faq> to see diagrams.

# You Tube

SCAN TO WATCH  
WIRING DIY VIDEO



WWW.ORACLELIGHTS.COM

