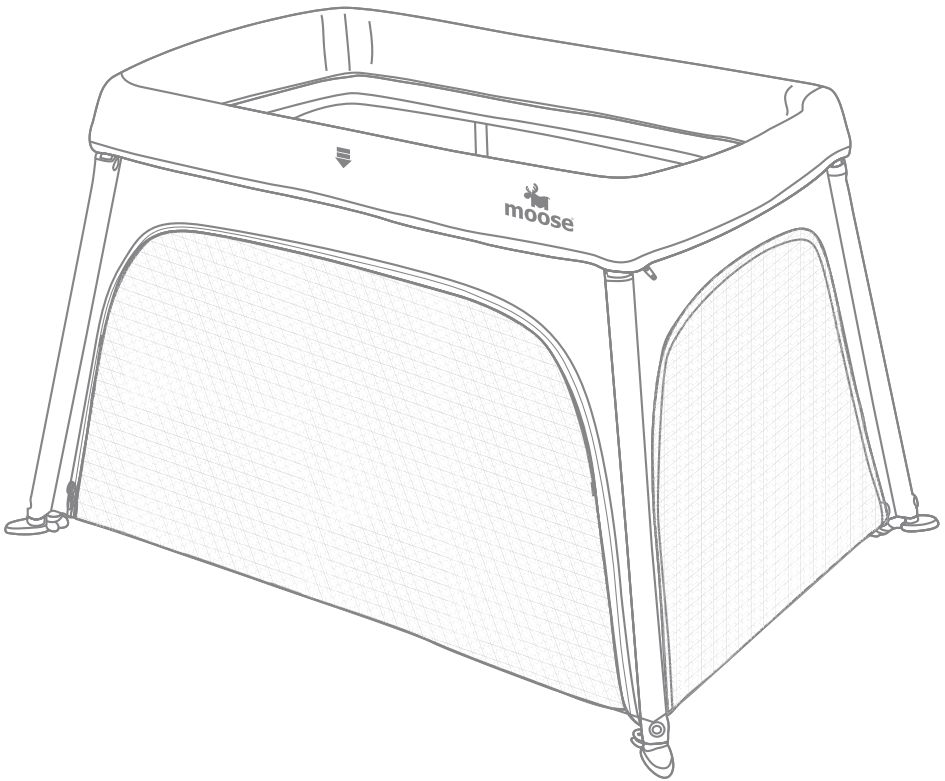
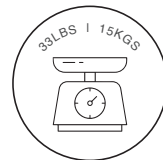


# Emmett Travel Cot



**IMPORTANT!** Keep for future reference.  
Please read instructions carefully before  
starting assembly.





## SAFETY INFORMATION

**IMPORTANT: BEFORE ASSEMBLING THIS TRAVEL COT,  
READ AND UNDERSTAND THE FOLLOWING INSTRUCTIONS.**



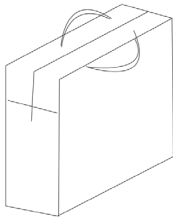
## WARNING

1. Mattresses are included and are designed specifically for this travel cot.
2. **Do not use more than one mattress in the travel cot.**
3. Do not use any mattresses other than the one supplied by the manufacturer.
4. Only use accessories recommended by the manufacturer. Never use substitute parts.
5. Ensure the top rails and the base are fully locked before use.
6. Stop using this travel cot if any parts are broken, torn or missing.
7. Failure to follow the warnings and instructions could result in serious injury or death.
8. Contact the manufacturer for replacement parts or instructions if they are required.
9. Keep children away while assembling/disassembling the travel cot.
10. Do not leave anything on the travel cot (such as toys) **that provide a foothold.**
11. Do not use the travel cot near naked heat sources, bar heaters, open fires or exposed flames.
12. Keep the folding travel cot clear of trailing cables and hanging cords.
13. Keep medications and small items that a child could choke on, away from the travel cot.
14. Do not use the travel cot if fabric or padding on the side rails or end rails have been bitten through.
15. **FALL HAZARD** – to prevent falls, **DO NOT** use the travel cot once the infant has reached the manufacturer's maximum weight of 15kgs or a height of 85cm tall.
16. The travel cot should be placed on a horizontal floor.
17. Never leave your child unattended, for long extended periods of time.
18. When a child is able to sit, kneel or pull themselves up.
19. Ensure that the cot is fully assembled and all the locking mechanisms are engaged before placing your child in the travel cot.

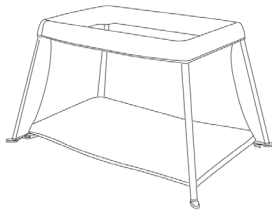
## Assembly Checklist

Please make sure that you have all of the below items before you start.  
If any are missing, please contact MooseBaby for a replacement.

### SUPPLIED LOOSE IN BOX



Carry Bag x 1



Portable Cot x 1



Mattress Pad x 1

---

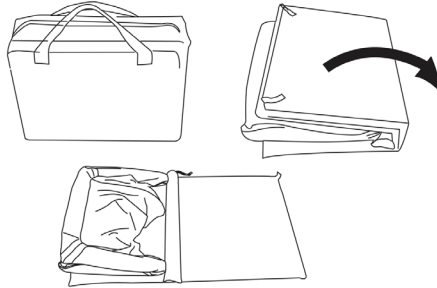
Bassinet Layer Mesh and Bassinet Support Poles



# Assembly Instructions

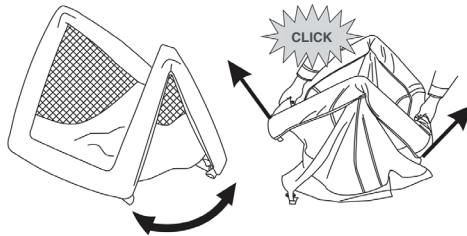
Note: Skipping any steps could lead to improper assembly and damage.

- 1**  
Unzip the travel bag and open the mattress.



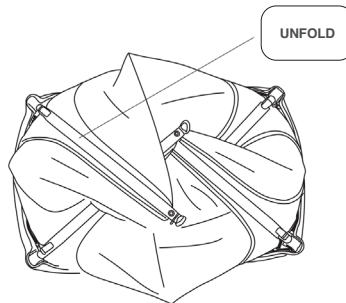
- 2**  
Unfold and straighten the travel cot. Ensure you hear it click/lock into place.

Turn upside down.



- 3**  
Unfold all 4 poles one by one.

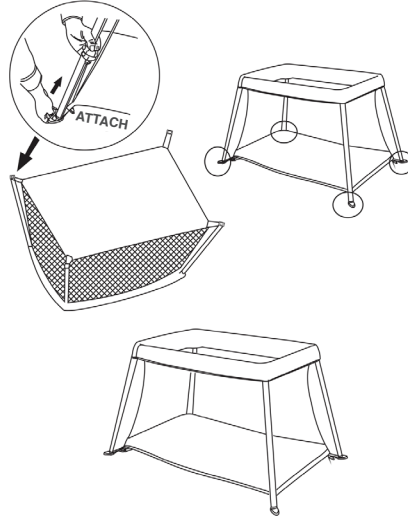
Ensure the pop pins click into place.



Note: Skipping any steps could lead to improper assembly and damage.

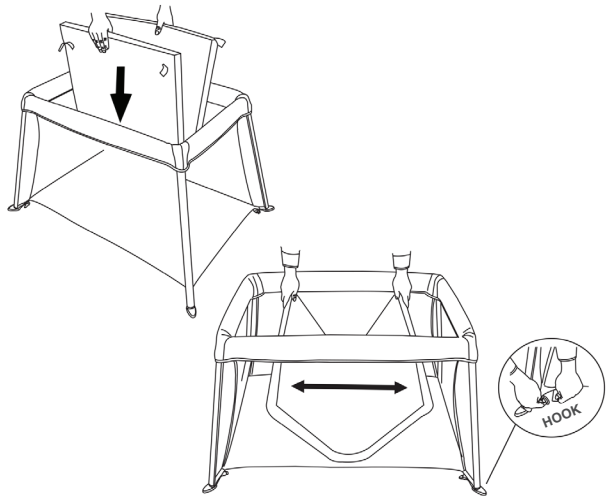
**4**  
Attach the 4 feet  
into the holes of  
the poles.

Turn cot upright.



**5**  
Place the mattress  
into the cot and  
then turn as per  
diagrams. Find the  
straps under each  
mattress corner  
and pass the straps  
through the slit  
at the base of the  
travel cot.

Once done, connect  
them to the hook on  
each foot.



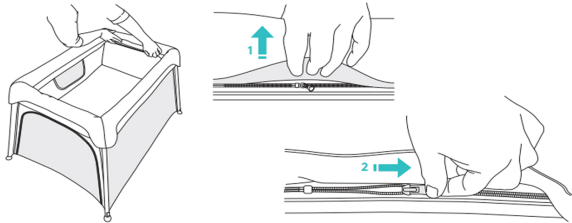
**Note: The travel cot is ready to use, but only when the locking mechanisms are engaged. Check carefully that they are fully engaged before using the travel cot.**

## Setting Upper Bassinet Level

Note: Skipping any steps could lead to improper assembly and damage.

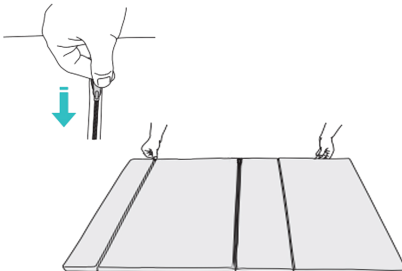
1

Zip on the bassinet layer to the travel cot wall.



2

Connecting 4 smaller poles into 2 long poles and insert them into the base of the bassinet layer for support.



3

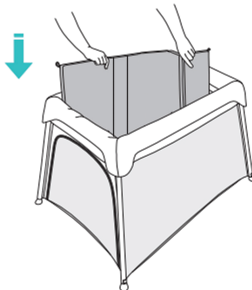
Fit mattress onto the bassinet base.

4

Fit mattress onto the bassinet base.

5

Bassinet layer is ready to use.



**WARNING:** The travel cot is suitable for children from birth to 36 months or 15kgs. The upper bassinet is suitable for children from birth to 9kg (or when the baby can push themselves up).

# Packing up the Cot

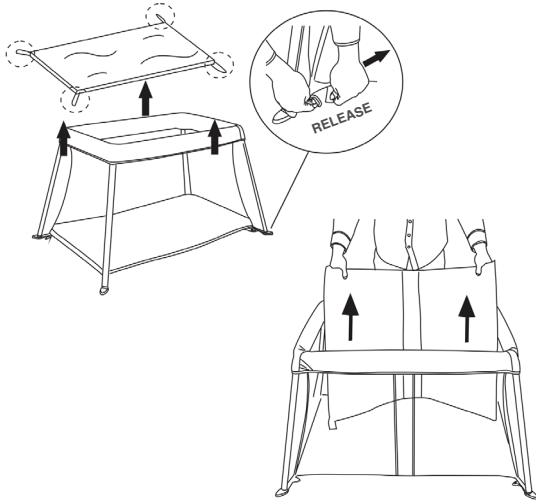
Note: Skipping any steps could lead to improper assembly and damage.

**1**

Unhook the mattress straps from each corner.

Fold the mattress in half.

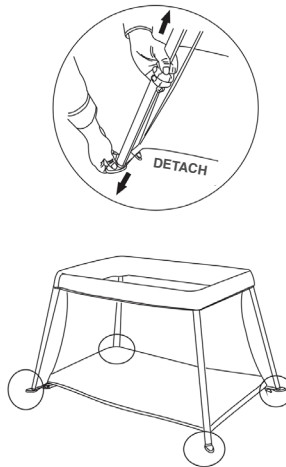
Turn and lift the mattress from travel cot base.



**2**

Turn travel cot upside down.

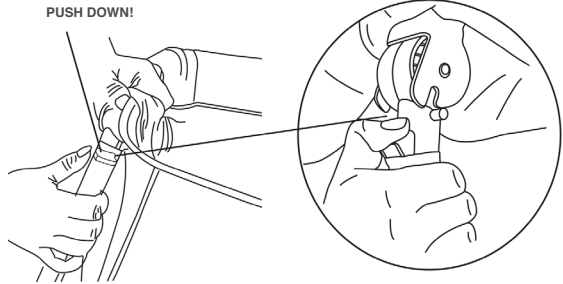
Detach feet from poles on each corner.



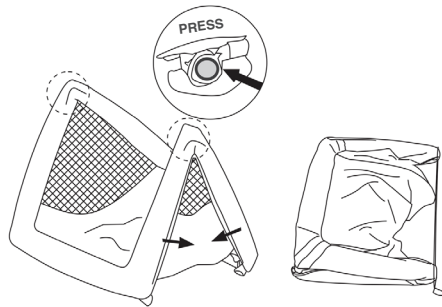
Note: Skipping any steps could lead to improper assembly and damage.

**3**  
**Open the zipper**  
**near button first!**

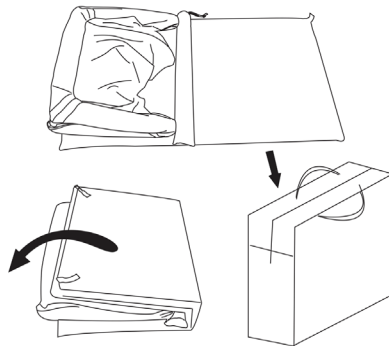
**Push down the**  
**button, fold 4 poles,**  
**one by one.**



**4**  
Push the release  
buttons (in the  
middle of the long  
top rail) to unlock the  
travel cot and fold it  
in half.



**5**  
Place frame and  
poles onto mattress,  
fold mattress into a  
U-shape and place  
into carry case.



## CARE MAINTENANCE

To clean the mattress base and travel cot fabric, wipe it using a mild detergent and water. Never clean with anything abrasive, ammonia based, bleach based or spirit type cleaners.

The travel cot must be dried thoroughly before use or storage.

This product is made in compliance with Australia and New Zealand Safety Standard  
AS/NZS 2195:2010

This product is made in compliance with European Safety Standard  
EN1130-1/-2:1996

This product is made in compliance with EN716-1&-2:2008+A1:2013





E [headmoose@moosebaby.co.nz](mailto:headmoose@moosebaby.co.nz)  
P +64 21 054 0251

[www.moosebaby.co.nz](http://www.moosebaby.co.nz)  
[www.moosebaby.com.au](http://www.moosebaby.com.au)