

Auto



Y471106

Truck wheel dolly

(Load capacity 150 kg)



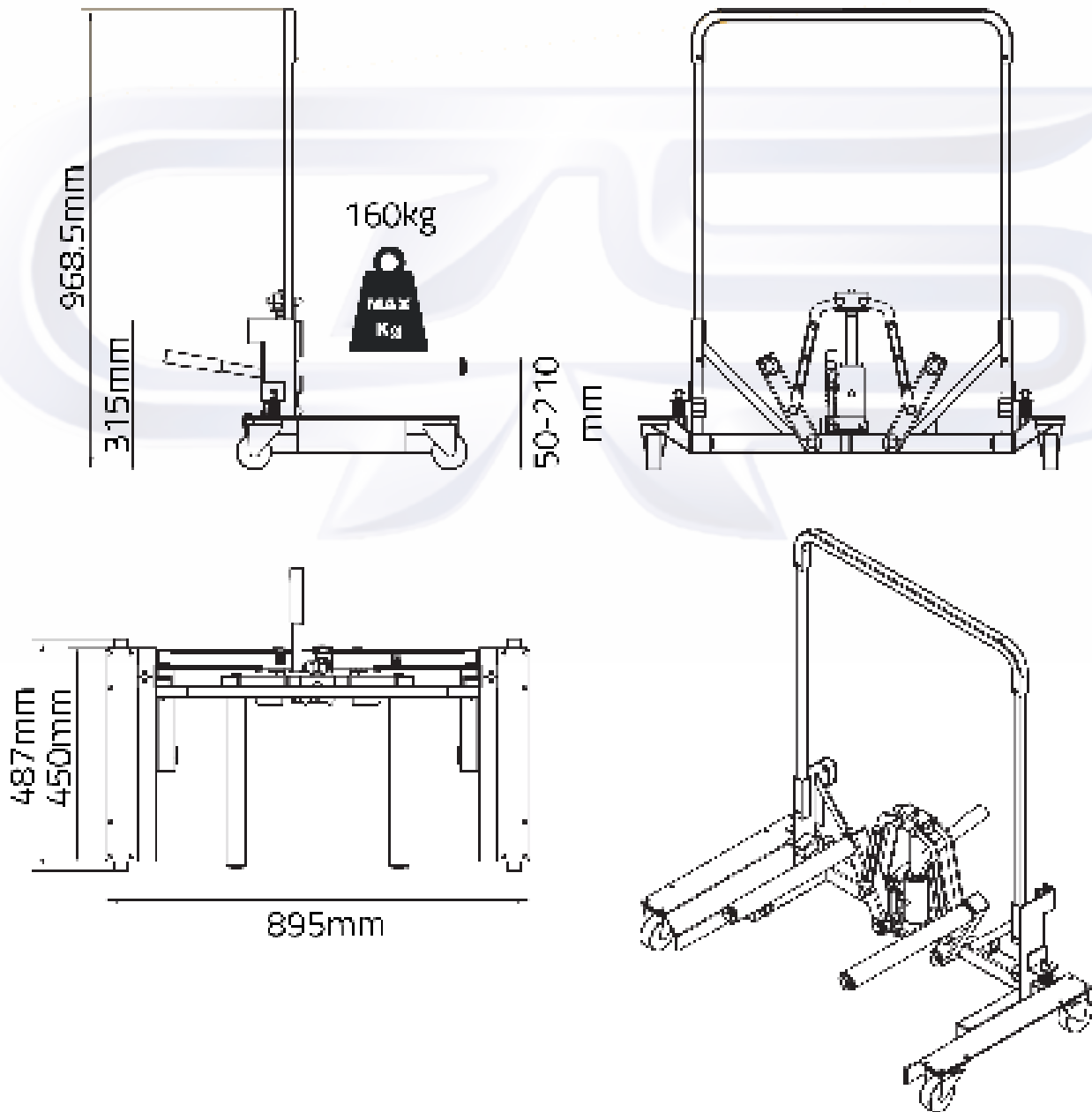
Model: Y471106

Product: Truck wheel dolly

Description: The wheel dolly has a compact hydraulic unit that ensures precise positioning. Shock absorbing casters ensure a smooth ride from and to the hub on a rough surface. Easiest way to mount & demount truck tyres. Simply slide the rollers underneath the tyre and use the jack handle to raise it to the desired height.

Features:	Benefits:
Carry handle and belt included.	The carry handle is a built-in handle that allows users to lift and carry the truck wheel dolly easily. This feature is particularly useful when transporting the dolly between different locations, such as from a storage area to the work site or between service bays in an automotive workshop.
Compact hydraulic unit.	Equipped with a hydraulic system to assist in lifting and positioning heavy truck tyres. Hydraulic units are known for their strength and precision in lifting applications.
Shock absorbing casters.	Ensures for a smooth ride from and to the hub on a rough surface.
Collapsible handle	Easy to store and ideal for mobile service
Easy to mount and demount tyres	No manual lifting and less stress on the operators back
Lightweight and portable	Easy to maneuver
Fast positioning	Time saving
Precise Positioning	The compact hydraulic unit is designed to ensure precise positioning of the truck tyre. This feature is valuable for accurate alignment during tasks such as mounting and demounting.
Easy Mounting and Demounting	Provides an easy and efficient way to mount and demount truck tyres. The process involves sliding the rollers underneath the tyre and using the jack handle to raise it to the desired height. This design emphasizes user-friendly operation and convenience.
Roller System	The use of rollers underneath the tyre simplifies the process of positioning the tyre on the dolly. Rollers facilitate smooth movement and help ensure that the tyre is securely held in place during transportation
Portability	With a carry handle, the dolly becomes more portable, making it easier for a single person to move it around without straining. This is especially important in settings where the dolly needs to be frequently repositioned.

Storage	The carry handle also aids in storing the dolly. Users can lift and hang the dolly on a wall or rack when not in use, saving floor space in a garage or workshop
Training available	Technicians can be professionally trained to use the wheel dolly and get the maximum benefit from it.
1 year warranty	The equipment will be repaired if there are any factory faults and can be replaced if required.
Spares available	Should you have a breakdown you will not have to wait for your equipment to be repaired. If there is anything we don't have, we fly it in directly from the Suppliers.



Technical information	
Weight	25kg
Capacity	150kg
Frame width	680mm
Frame depth	470mm
Frame height	280mm

