

Industrial



# Y-EPA10921

Single acting hand pump

(2 speed)



**Model:** Y-EPA10921

**Product:** Industrial hand pump

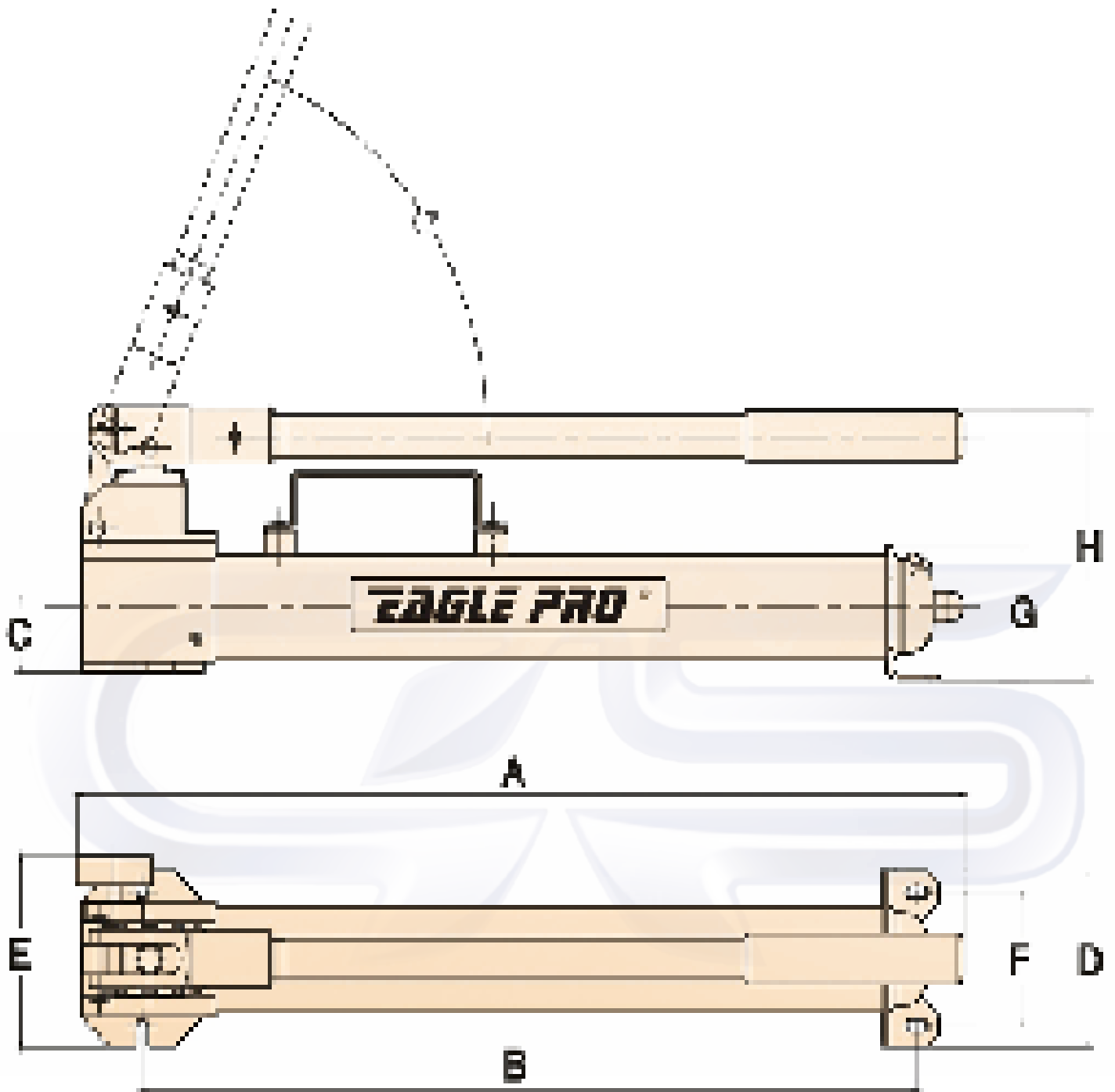
**Description:** This hydraulic hand pumps is some of the most durable, powerful and reliable hand pumps in the industry today.

It has a feature valve blocks that is machined from a single piece of high strength aircraft grade aluminum and high capacity reservoirs made from alloy steel that maximizes durability. The hand pumps are compact and easy to carry around the job. To get the job done faster, these powerful dual speed pumps offer some of the best flow rates in the industry. The hydraulic hand pumps feature an internal safety valve to prevent system damage.

<b>Features:</b>	<b>Benefits:</b>
Two-Speed Operation	The pump typically has two speed settings, allowing the user to choose between high and low speeds based on the application requirements. This provides flexibility and control over the hydraulic system.
Single-Acting Design	Single-acting pumps operate in one direction, usually providing fluid flow in the forward stroke. This design simplifies the pump's construction and is suitable for applications where unidirectional fluid flow is sufficient.
Manual Hand Operation	Operated by manual hand strokes, eliminating the need for external power sources such as electricity or an engine. This makes the pump versatile and suitable for use in remote or off-grid location
Compact and Portable	Generally designed to be compact and portable, making it easy to transport and use in various locations. This is particularly useful for applications in the field or in situations where mobility is essential
Durable Construction	Constructed with durable materials to withstand the rigors of manual operation and exposure to harsh environmental conditions. This ensures a longer lifespan and reliability in different working environments.
	<b>Versatility:</b> Suitable for a wide range of applications, such as lifting, clamping, pressing, and other tasks where hydraulic force is required. The two-speed feature allows for adaptability to different load requirements.

	<p><b>Cost-Effective:</b> As a manual pump, it eliminates the need for external power sources and associated costs. This can be advantageous in situations where electricity or other power options are not readily available or practical.</p>
	<p><b>Emergency Use:</b> Ideal for emergency situations or as a backup hydraulic power source. In situations where power failures or equipment malfunctions occur, a manual hand pump can provide a reliable alternative.</p>
	<p><b>Maintenance-Friendly:</b> Typically simple in design, which can make maintenance and repairs more straightforward. This can be advantageous for users who need a solution that is easy to maintain without requiring specialized skills or tools.</p>
	<p><b>Precision Control:</b> The two-speed feature allows for better control over the hydraulic system, enabling users to adjust the pump speed based on the specific requirements of the task at hand. This precision can be crucial in certain applications.</p>
Training available	Technicians can be professionally trained to use the equipment and get the maximum benefit from it.
1 year warranty	The machine will be repaired if there are any factory faults and can be replaced if required.
Spares available	Should you have a breakdown you will not have to wait for your equipment to be repaired. If there is anything we don't have, we fly it in directly from the Suppliers.
Operational videos	Technicians can learn how to operate the equipment by watching a video, which is easier and more simple than written instructions.

<b>Technical information</b>	
Cylinder type	Single acting
Speed	Two
Usable oil volume	750 CM3
Pressure rating - 1st stage	25 BAR
Pressure rating - 2nd stage	700 BAR
Oil displacement - 1st stage	33.0 CM3
Oil displacement - 2nd stage	3.3 CM3
Handle force	49kg
Port thread	3/8-18NPT inch



Technical information	
A	582.5mm
B	505.5mm
C	47mm
D	108mm
E	130mm
F	82mm
G	82mm
H	165mm
Weight	7.3kg

