

Standard



TL5530

Portable lift
(3 ton)



Model: TL-5530

Product: 3ton portable lift

Description: The Easy lift is our portable car lift system. Everything you need to quickly, easily and safely lift your vehicle or **electric vehicle** for inspection, service and detailing. Ideal for the home or at the track - for ht weekend enthusiast or seasoned professional. Sets up in minutes, lifts to service height in seconds. Space saving design - can be hung on a wall, stash out of the way, or even under your vehicle when not in use.

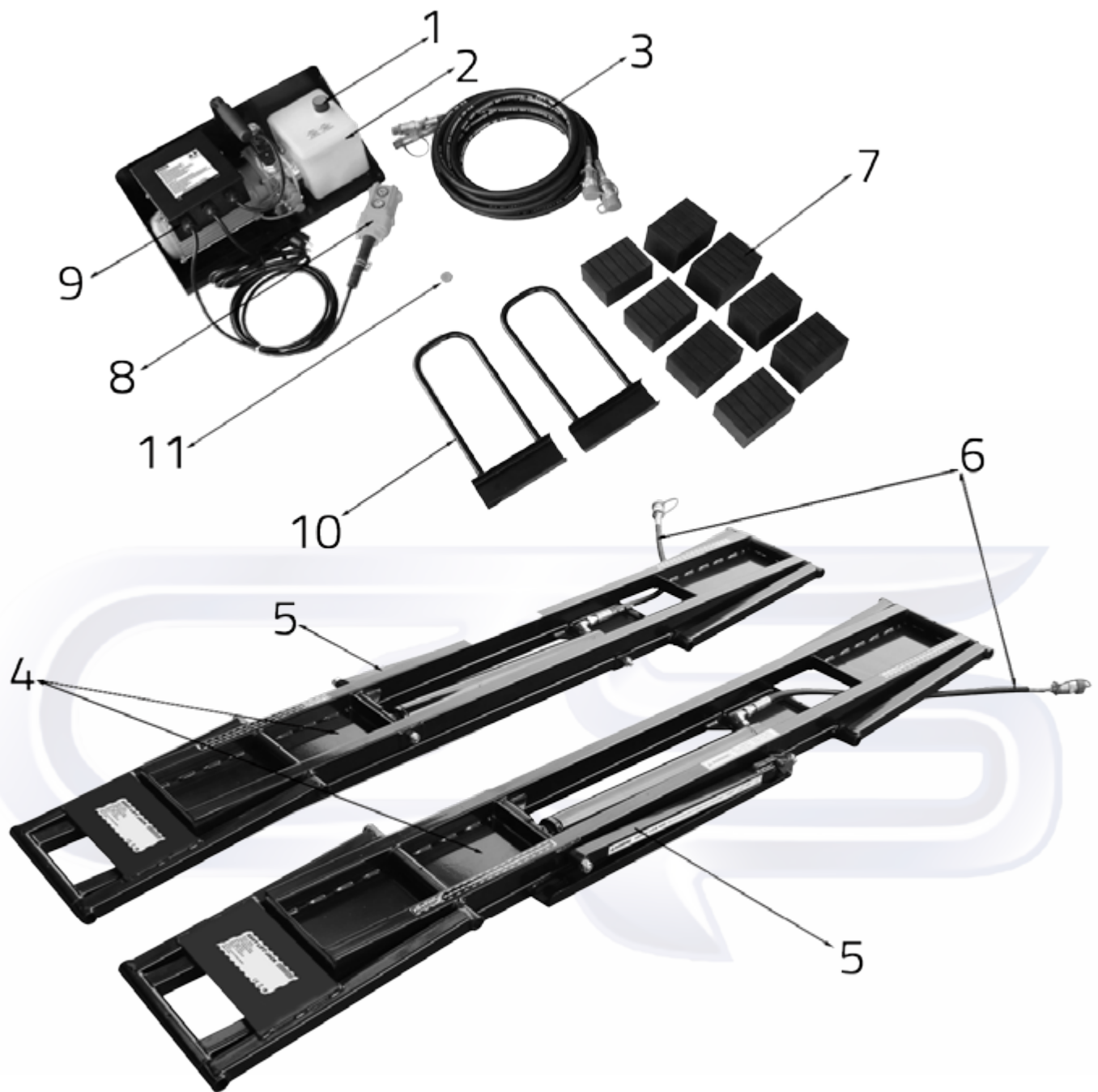
Features:	Benefits:
Electric vehicles	Makes detailing and maintenance on your electric vehicle convenient and fast.
Automatic safety locks	Lower and upper safety locks automatically engage as the car lift frames rise. They quickly disengage with a simple flip of the lock bar. They're like built-in, heavy-duty jack stands.
Zero leak fittings	Even when the car lift frames are under a full 3ton load, the hydraulic connectors do not leak. Keep your nice garage flooring clean and oil-free.
Reinforced upper frame rails	For the Easy lift, our largest-capacity car lift system, we reinforced the upper frame rails of with box-welded steel. This significantly minimizes deflection, improving power without requiring longer frames.
Open center design	The Easy lift is all about more power with less interference. Inspired by two-post car lifts that engage vehicle frames, our open-center design offers full access to your vehicle's wheels and undercarriage
Dynamic test 115% of the rate capacity	Ensures the hoist works correctly through its full cycle of operation
Static test: 150% of the rated capacity	Static load testing, to unsure the lifts can handle the recommended tonnage. Safety test.
Quality power rack	Ensures safety at all heights.
Conforms to CE requirements	The CE Mark on a product or machine identifies it as complying with all the of safety requirements established by the European Union.
Easy to install	Lift can be installed in a workshop, can also be used as a mobile unit.
	Vehicle Lifting: The primary purpose of a portable lift is to raise vehicles off the ground, providing easy access to the underside of the vehicle for maintenance and repair tasks. This includes tasks like changing oil, working on brakes, inspecting the exhaust system, and more.

	<p>High Weight Capacity: A 3-ton easy lift is capable of lifting a wide range of vehicles, including sedans, SUVs and pickup trucks. Its substantial weight capacity makes it versatile for different vehicle sizes and weights.</p>
	<p>Portability: As the name suggests, these lifts are designed to be portable, allowing users to move them around the garage or workshop as needed. This flexibility is particularly useful for those with limited space or changing workspace requirements.</p>
	<p>Ease of Setup: Portable lifts are typically straightforward to set up, making them accessible for both professional mechanics and DIY enthusiasts. They often don't require extensive installation or permanent fixtures.</p>
	<p>Safety Features: Portable lifts come with safety features such as locking mechanisms, safety bars, and safety pins to ensure the vehicle remains securely in place while elevated. This reduces the risk of accidents or injuries during maintenance and repair work.</p>
	<p>Stability: Despite their portability, these lifts are designed for stability, providing a secure platform for lifting and supporting the vehicle. Stability is crucial for safe and efficient maintenance work.</p>
	<p>Accessibility: Lifting the vehicle to a comfortable working height makes it easier to access and work on various components, including the engine, transmission, suspension, wheels, and more. This enhances the quality of maintenance and repairs.</p>
	<p>Time Savings: Using a portable lift can significantly speed up maintenance and repair tasks, eliminating the need for crawling under the vehicle or using makeshift methods to lift it. This saves time and reduces physical strain.</p>
	<p>Convenience: A dedicated portable lift provides a clean and organized workspace, eliminating the need to lay on the ground or use less efficient lifting methods.</p>
	<p>Versatility: Some portable lifts come with adjustable features, such as height adjustment and arm positioning, allowing users to customize the lift to their specific needs and the size of their vehicles.</p>
	<p>Versatility: Portable lifts come with adjustable features, such as height adjustment, allowing users to customize the lift to their specific needs and the size of their vehicles.</p>

	Compact Storage: When not in use, portable lifts can often be folded or disassembled for compact storage, making them ideal for users with limited garage space.
	DIY Enthusiast Convenience: Portable lifts are valuable tools for car enthusiasts and DIYers, enabling them to tackle more advanced projects and modifications with ease.
	Increased Productivity: For automotive repair shops and businesses, the use of portable lifts can increase the number of vehicles that can be serviced in a day, leading to improved efficiency and profitability.
Training available	Technicians can be professionally trained to use the machine and get the maximum benefit from it.
1 year warranty	The machine will be repaired if there are any factory faults and can be replaced if required.
Spares available	Should you have a breakdown you will not have to wait for your machine to be repaired. If there is anything we don't have, we fly it in directly from the Suppliers.
Operational videos	Technicians can learn how to operate the machine by watching a video, which is easier and more simple than written instructions.

Technical information	
Lifting capacity	3 ton
Individual frame weight	44 kg
Raised (frame only)	462 mm
Raised (stacked blocks)	546 mm
Collapsed	91 mm
Lifting point spread - min	951 mm
Lifting point spread - max	1676 mm
Frame width	318 mm
Frame length	1930mm
Lifting time	15-30 seconds
Packaging dimensions 1/3	2030*395*137 mm
Packaging weight 1/3	51.3 kg
Packaging dimensions 2/3	2030*395*137 mm
Packaging weight 2/3	51.3 kg
Packaging dimensions 3/3	695*335*300 mm
Packaging weight 3/3	28kg





1. Filler plug for hydraulic Fluid
2. Hydraulic fluid reservoir
3. Long hydraulic Hoses with couplers (X2)
4. Lifting frames (X2)
5. Safety Lock bar (X2)
6. Short hydraulic hoses with couplers (X2)
7. Rubber lifting blocks 55mm (X4) and 75mm(X4)
8. Remote control
9. Hydraulic power unit
10. Positioning handle
11. Seal Plug for hydraulic reservoir

