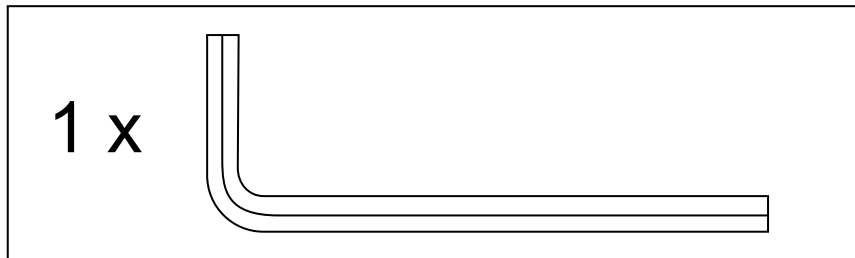
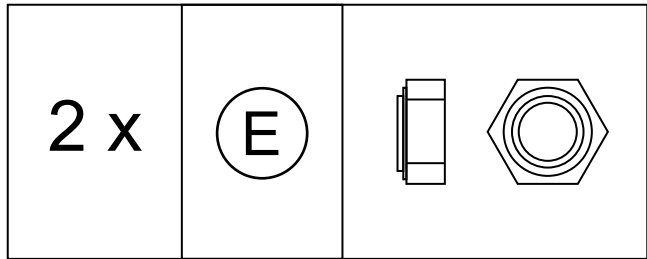
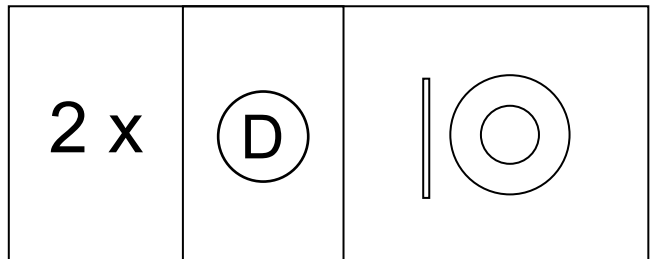
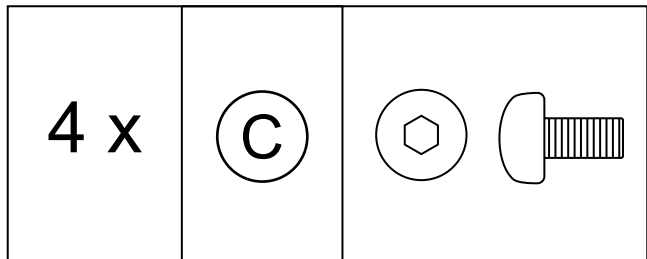
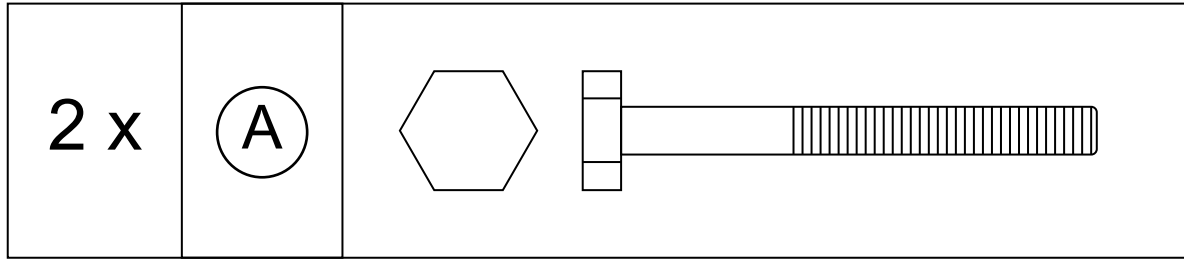


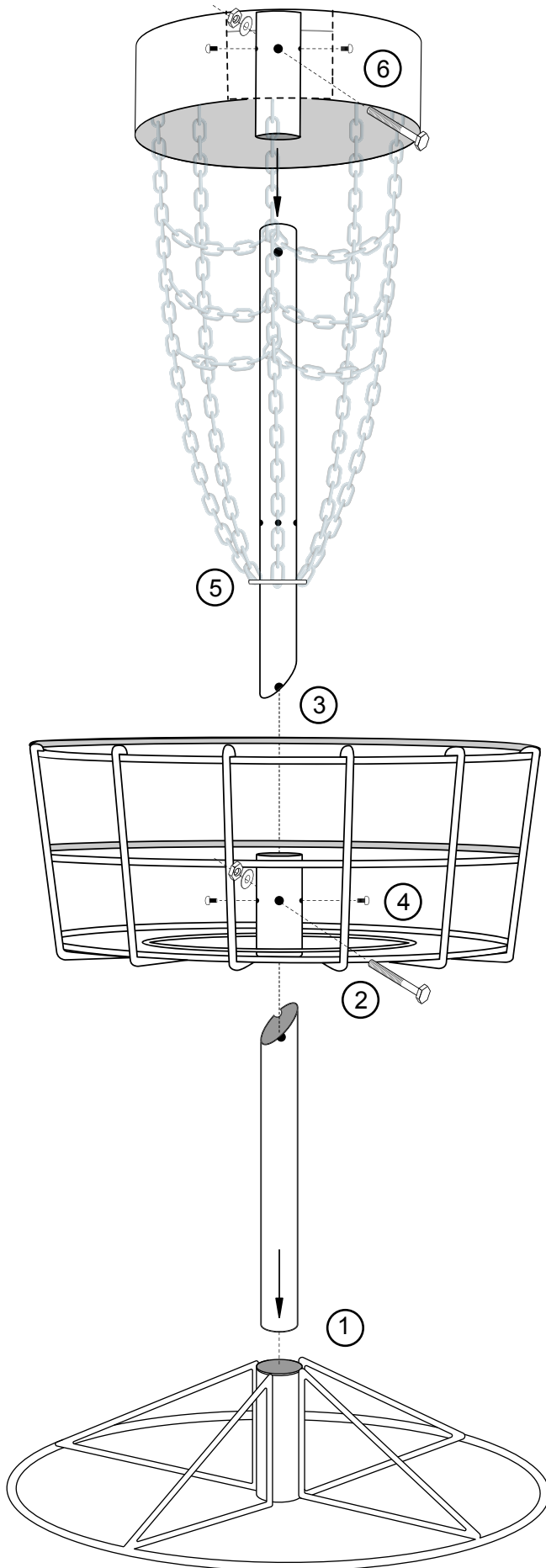


STRIKEZONE PROFESSIONAL DISC GOLF
TARGET ASSEMBLY INSTRUCTIONS





STRIKEZONE PROFESSIONAL DISC GOLF TARGET ASSEMBLY INSTRUCTIONS



- ① Place base on flat ground. Insert bottom pole with angle at the top.
- ② Insert a bolt **(A)** into large hole on basket, then screw on washer **(D)** then nut **(E)**. Place basket on top of bottom pole so that the bolt lines up with the cutout.
- ③ Insert top pole into basket with the angle facing down. Line up cutout so that it is resting on the bolt.
- ④ Screw in two of the set screws **(C)** using the provided allen key to tighten the poles into place.
- ⑤ Place the bottom rings of the chain assembly over the top pole followed by the top band.
- ⑥ Insert a bolt **(A)** through the large hole on top band assembly, then screw on washer **(D)** and nut **(E)**. Secure top band in place by screwing in two set screws **(C)**.