



Apex™ Expo Stand

18" Version P/N 0802

Model Rocket Adjustable Display Stand
Designed by Dave Meyers & Matt Steele

About the Apex™ Expo Stand:

Back in the 1970's, Centuri released a neat display stand called the "Rocket Rack". Renown model designer Dave Meyers (who developed the Estes ARV Condor, and Sweet V radio controlled rocket glider, amongst others) took that idea and updated it using modern and attractive acrylic materials, added adjustability, and then upscaled it! The Apex Expo Stand is the perfect finishing touch for that very special model in your collection.

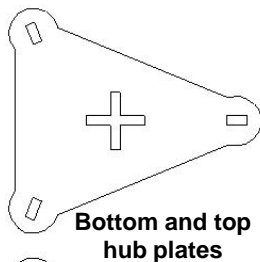
Before You Start:

Thank you for purchasing this North Coast Rocketry® product. We hope you have an enjoyable time constructing and using this tool. Please read all of these instructions to become familiar with them before starting construction.

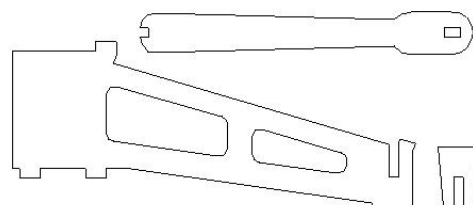
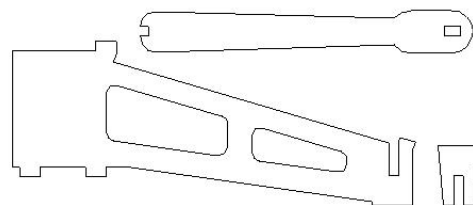
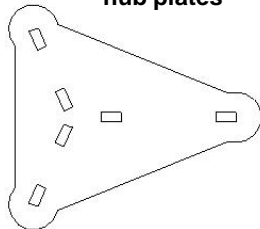
The following tools & materials are necessary for construction:

- Acrylic cement (WELD-ON #3, water thin acrylic cement, or Testors liquid cement, TES3502, needle type liquid applicator , hobby knife

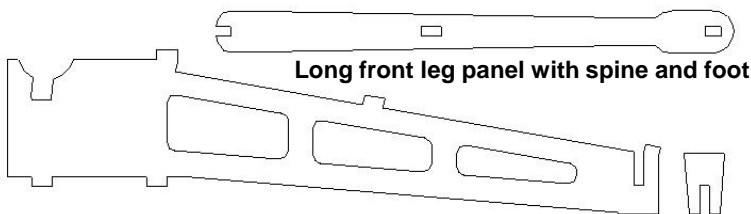
Parts Organization



Bottom and top hub plates

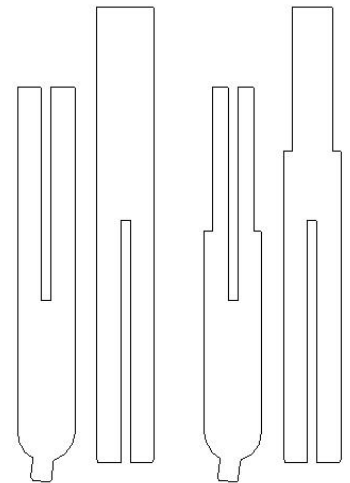


Short rear leg panels with spines and feet



Long front leg panel with spine and foot

Large and small diameter model mounting posts

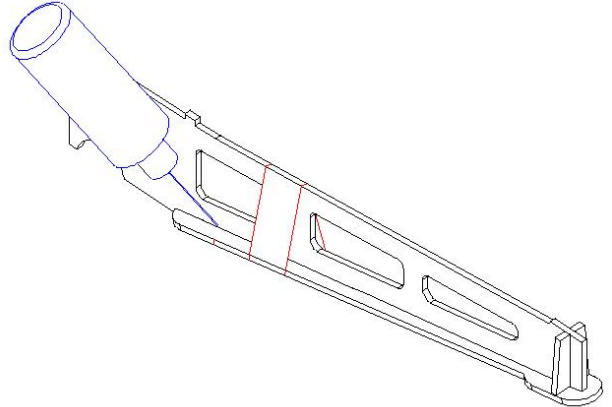


- This kit is recommended for adults(18 and older) only.
- Check the kit for completeness, using the parts list and reference photograph. If parts are missing or damaged, or if for any reason you are dissatisfied with this product, please let us know at www.NorthCoastRocketry.com. We will gladly replace any item found to be defective. Our goal is for you to be satisfied with your purchase, and to have fun!
- North Coast Rocketry certifies that it has exercised reasonable care in the design and manufacture of its products. However, as we cannot control the use of our products once sold, we cannot assume any responsibility or liability for product usage.
- North Coast rocketry shall not be held responsible for personal injury or property damage resulting from the use of our product. The buyer assumes all risks and liabilities arising from the use of our product and uses our product on these conditions.
- North Coast Rocketry makes no warranty regarding our products, except for defects in materials or workmanship for a period of one year after purchase.
- If any of these terms are unacceptable, please return the item to the point of purchase.

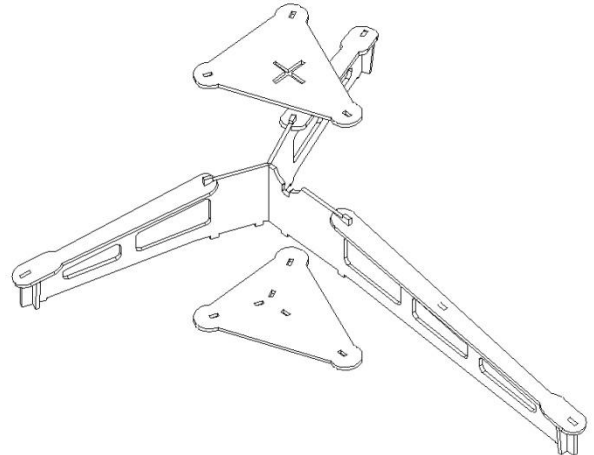
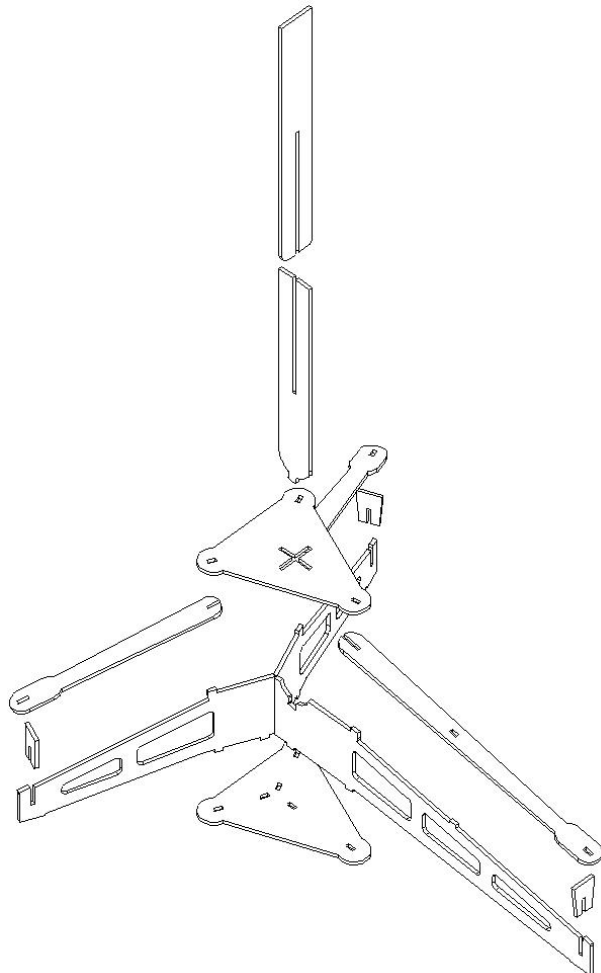
Assembly Instructions

- Carefully using a hobby knife, remove the peel coat paper protection and organize the parts for your model rocket display stand as shown on the front page before beginning assembly.
- Your display stand is laser cut from acrylic plastic. Any Acrylic cement should provide adequate adhesion. We recommend the WELD-ON brand No. 3, water thin acrylic cement, or Testors brand liquid cement, Product Number TES3502.
- A needle type applicator is highly recommended. They can be purchased in hobby shops or hardware stores..
- Review the figure below for an overview of how the stand is assembled before beginning to add glue.

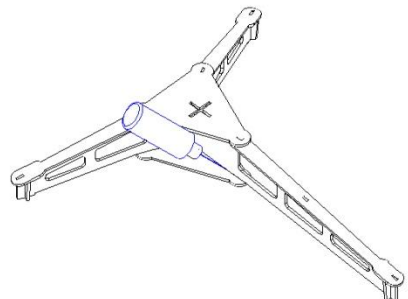
- All leg assemblies consist of three parts; the leg panel, the leg spine, the foot. Dry assemble each leg with its spine and foot parts as shown. Using masking tape to hold the assembly together works well. Using the needle applicator, allow glue to flow into all seams. Allow the assembly to dry and remove the tape.



- Dry fit the three legs in the positions shown. The longer forward leg aligns with the long corner of the hub plates and the two shorter legs align with the shorter corners of the hub plates as shown.

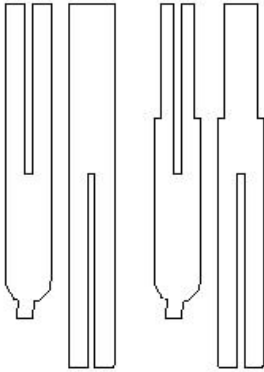


- Once you have completed the gluing operation the base assembly is complete. Set aside and allow it to dry thoroughly.

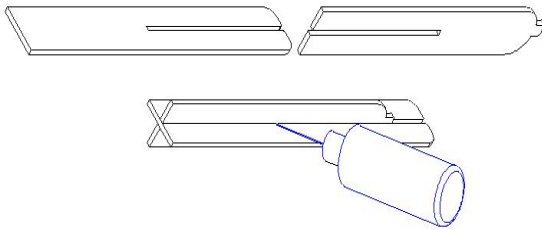


North Coast Rocketry

□ The 18" stand features two different Rocket Posts designed to fit 24mm and 29mm Motor Mounts. Each post is made up of two pieces that you will glue together as shown below:



□ Make sure that you pair up parts with the same width at the top before gluing them together. NOTE: DO NOT GLUE the post into the base hub.



□ Simply by rotating the Rocket Post 180 degrees and reinserting it back into the base hub, you can display your model rocket pointing straight up or leaning forward at a 15-degree angle. Place your favorite model on the stand.

