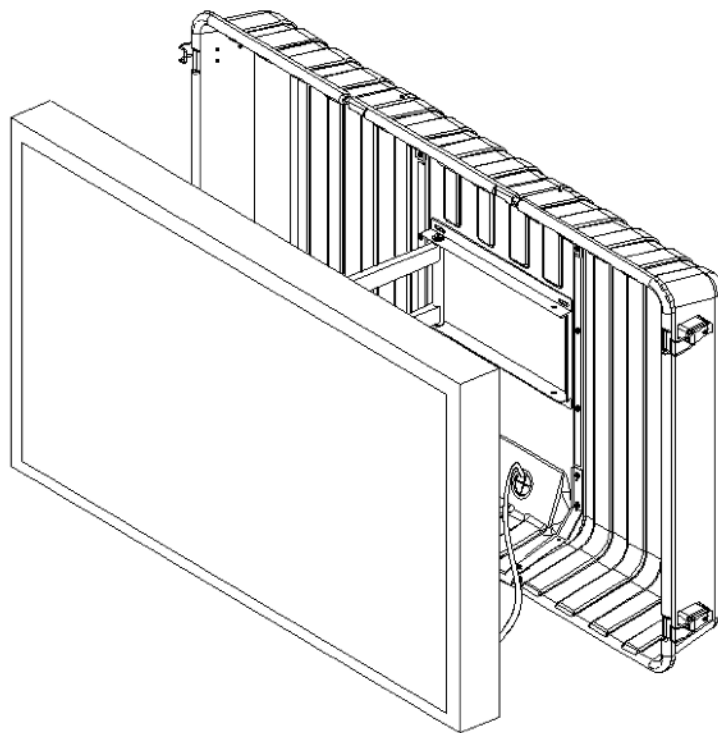
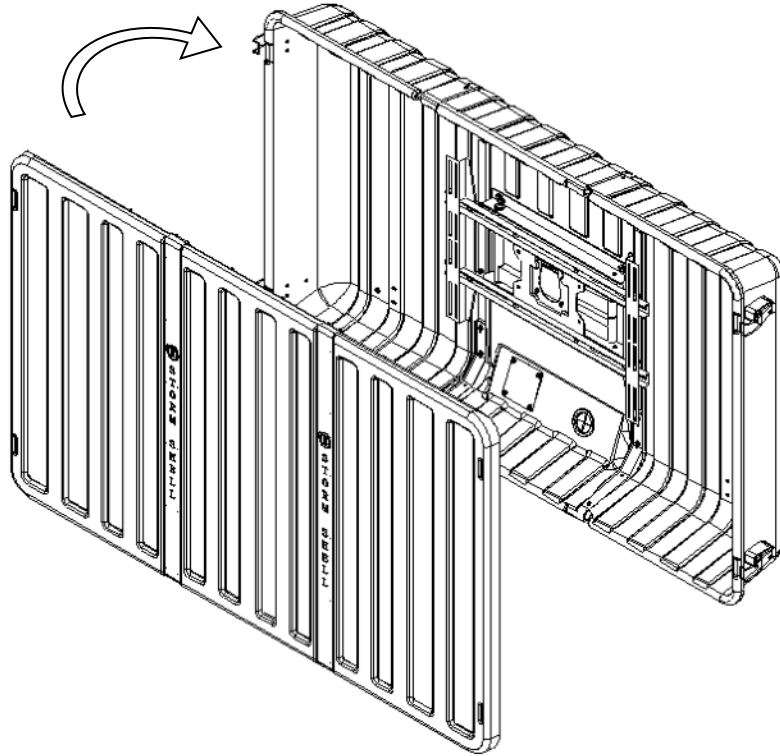


# STORM SHELL

## Assembly and Installation Instructions for 65" Storm Shell TV Hard Cover and Wall Mount



## Caution

- Prior to installation of this product, the installation instructions should be read and completely understood. The installation instructions must be read to prevent personal injury and property damage. Keep these installation instructions in an easily accessible location for future reference.
- This mount and hard cover contains small parts which can act as a choking hazard if swallowed.
- CAUTION: The maximum TV load capacity is 148 lbs. (67 kg). Use with products exceeding the maximum load capacity may cause serious injury.
- The wall structure must be capable of supporting at least five times the maximum load capacity as indicated. If not, the wall must be reinforced.
- Recommended mounting surfaces: wood stud and solid-flat concrete/brick. If the mount is to be installed on any surface other than wood studs, solid concrete or brick, use suitable hardware (not included but commercially available).
- Do not install on a structure that is prone to vibration, movement or chance of impact. Failure to do so could result in damage to the display and/or damage to the mounting surface.
- Do not install near heater, fireplace, air conditioning or any other heat producing source. Failure to do so may result in damage to the display and/or the hard cover and could increase the risk of fire.
- Make sure no water or natural gas lines are present where the mount is to be installed. Cutting or drilling into water or natural gas lines could cause personal injury or property damage.
- Proper installation procedure by yourself or a qualified service technician, as outlined in the installation instructions, must be adhered to. Failure to do so could result in serious personal injury.
- When mounting to a wall that contains wood studs, confirm the dead center of the wood stud prior to installation, it is recommended that the wood studs be a minimum of 16" apart (if applicable).
- It is recommended that two people perform the installation. Injury and/or damage can result from dropping or mishandling the display.
- If you don't understand these installation instructions, please consult an installation specialist.

## Tools Required

- Electronic stud finder for drywall installation
- Phillips head screw driver or electric drill
- Bubble Level
- Crescent wrench
- 13 mm socket and wrench
- Electric drill, 1/8" and 1/4" drill bit for wood stud installation.

## Centering the Storm Shell Hard Cover – Adapter Mounting Plate

The 65" Storm Shell hard cover and TV wall mount are designed to be installed on solid concrete or brick or on wood studs. For wood stud installation, the 65" Storm Shell is designed for installation on four (4) studs spaced 16" apart as shown in Figure 1. If a different placement of the 65" Storm Shell is required to center the TV in a particular space, or if the wall studs are built at 20" spacing, then an Adapter Mounting Plate will be required. Please consult Item "55/65 Storm Shell Adapter Mounting Plate", as shown on [StormshellTV.com/Products](http://StormshellTV.com/Products).

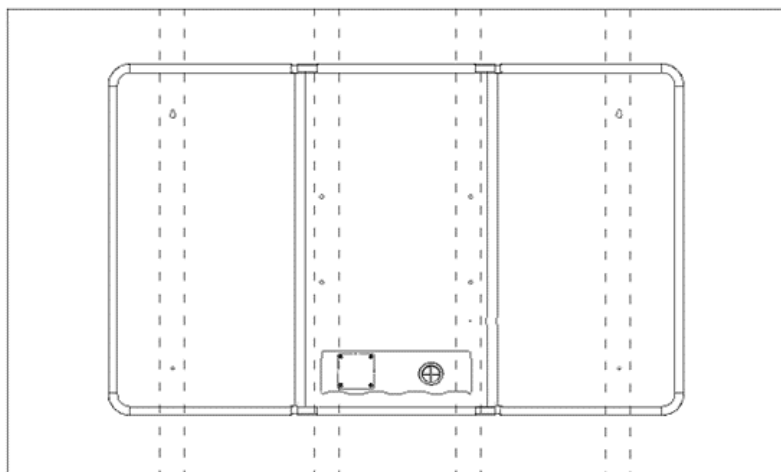


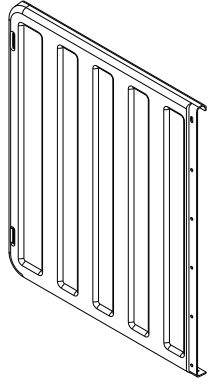
Figure 1

## Concrete or Brick Installation

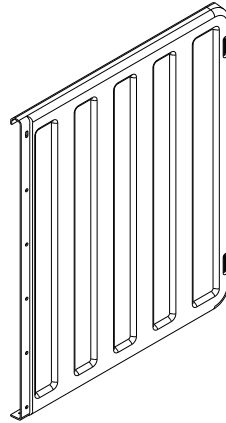
When installing the Storm Shell Hard Cover and TV Bracket on a concrete or brick wall, the provided S8 and S9 screws alone will not be sufficient. Do not attempt to use the supplied S8 and S9 screws alone on masonry or concrete.

Several options are commercially available for concrete or brick anchors. Options include concrete sleeve anchors or concrete screws. Consult your local hardware store or online resources to determine the best solution for your specific wall material. Obtain proper anchors and screws to replace the S8 and S9 screws.

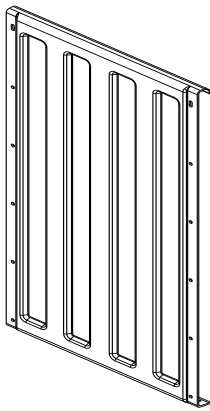
# Storm Shell and TV Mounting Bracket Parts



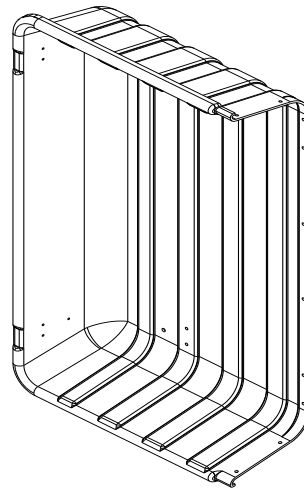
**1. Storm Shell Front (left part) 1 pc**



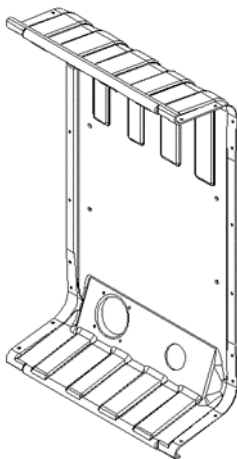
**2. Storm Shell Front (right part) 1 pc**



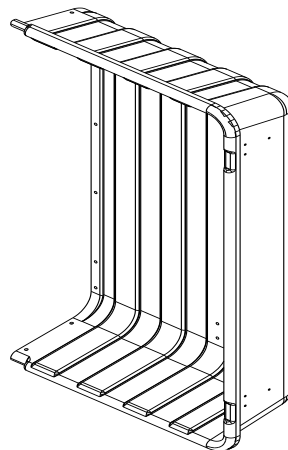
**3. Storm Shell Front (middle part) 1 pc**



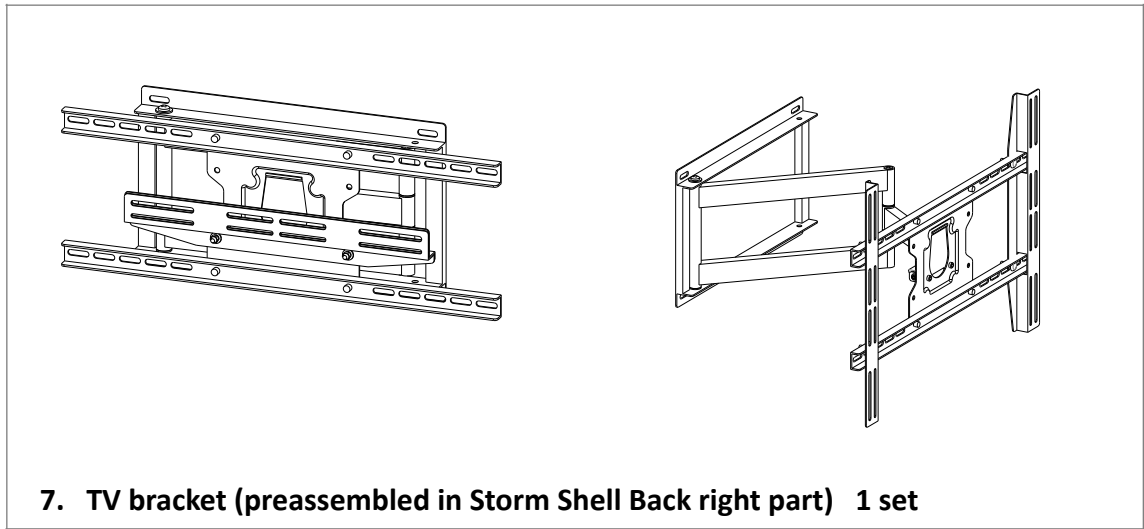
**4. Storm Shell Back (left part) 1 pc**



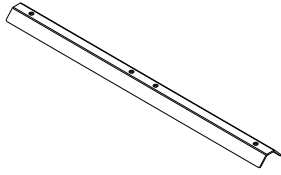
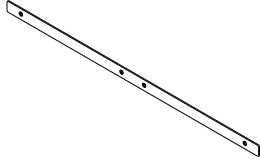
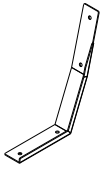
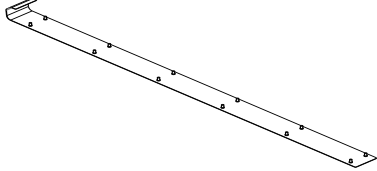
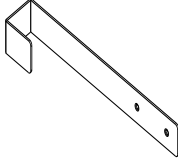
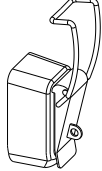
**5. Storm Shell Back (middle part) 1 pc**



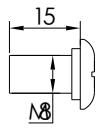
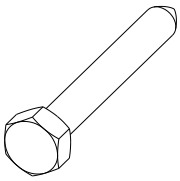
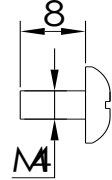
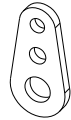
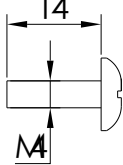
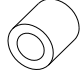
**6. Storm Shell Back (right part) 1 pc**

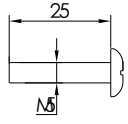
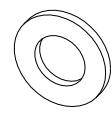
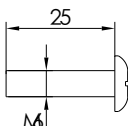
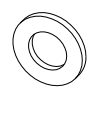
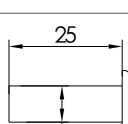
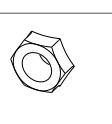





## Connecting Parts

 <p><b>1. Top Connecting Bar 2 pc</b></p>	 <p><b>2. Bottom Connecting Bar 2 pc</b></p>	 <p><b>3. Angle Brackets 4 pcs</b></p>
 <p><b>4. Middle Connecting Plate 2 pc</b></p>	 <p><b>5. Cover Hook 2 pc</b></p>	 <p><b>6. Buckle Latch 4 sets</b></p>

## Screws :

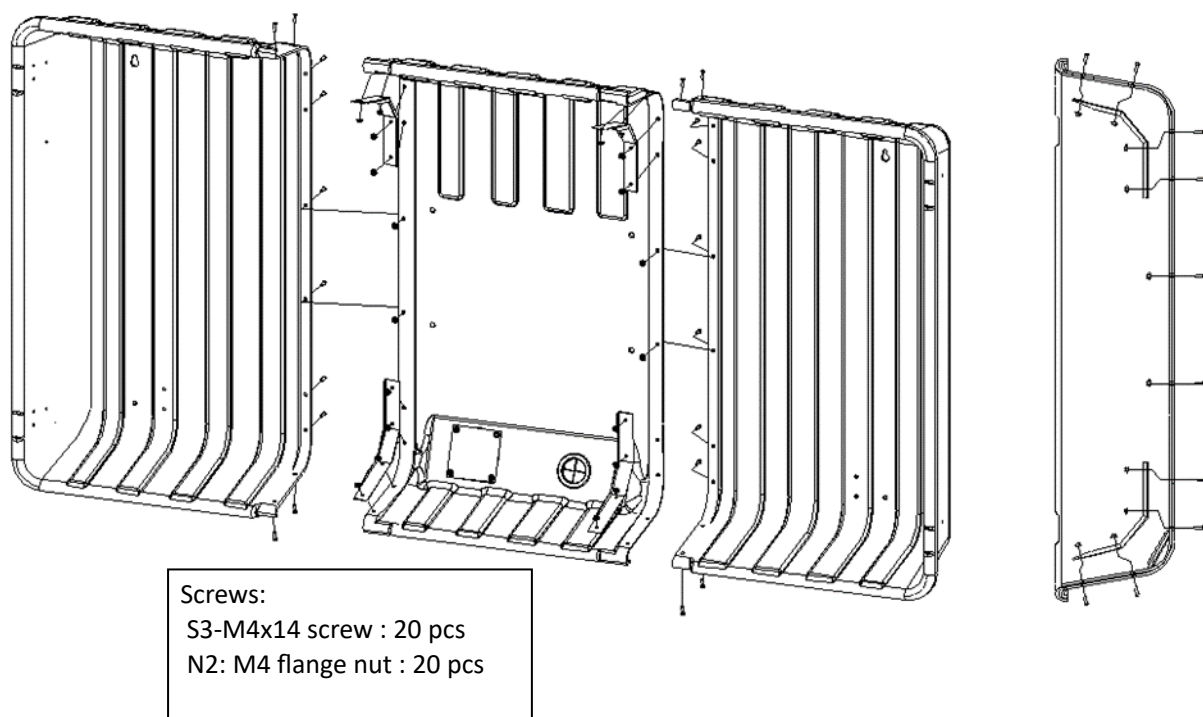
No.	Name	QTY	Picture	No.	Name	QTY	Picture
S1	M8X15 Screw	4		S9	ST 8.0 X 60 Lag Bolt	4	
S2	M4X8 Screw	20		W1	3 - hole Washer	4	
S3	M4X14 Screw	20		W2	Thick Washer	4	

S4	M5X25 Screw	4		W3	D8 Washer	8	
S5	M6X25 Screw	4		W4	D6 Washer	2	
S6	M8X25 Screw	4		N1	M8 nut	4	
S7	ST3.5X20 Self Tapping Screw	12		N2	M4 flange nut	44	
S8	ST6X30 Self Tapping Screw	4					

## Assemble the Storm Shell Back

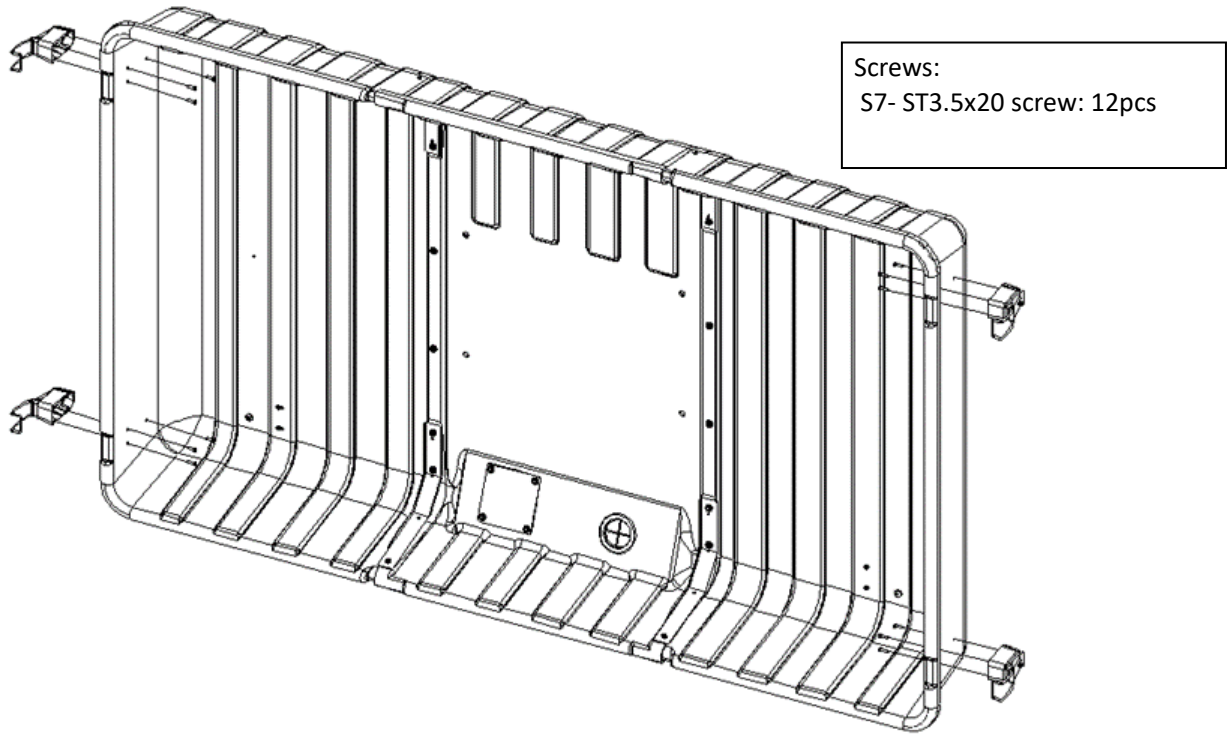
1. Place the Storm Shell Back right part and middle part together. Attach the two (2) Angle Brackets using four (4) S3 bolts for each bracket and four (4) N2 Flange Nuts as shown in Figure 2. Secure the two parts using two (2) S3 bolts with two (2) N2 flange nuts on the overlapping plastic of the Storm Shell Back between the two Angle Brackets as shown in Figure 2. Note: The bolt head is placed on the outside of the Storm Shell Back and the flange nuts are secured on the inside. Figure 2.

Repeat the procedure in Step 1 to connect the Storm Shell Back left part and middle part.



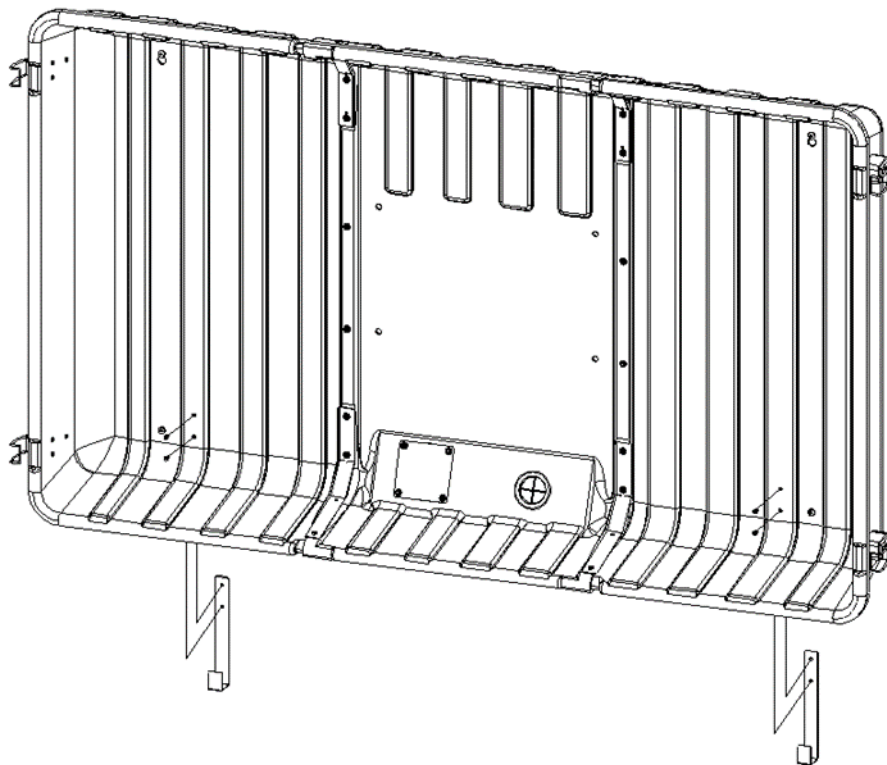
**Figure 2**

2. Assemble the four Buckle Latches onto the Storm Shell Back using the S7 screws (Figure 3).



**Figure 3**

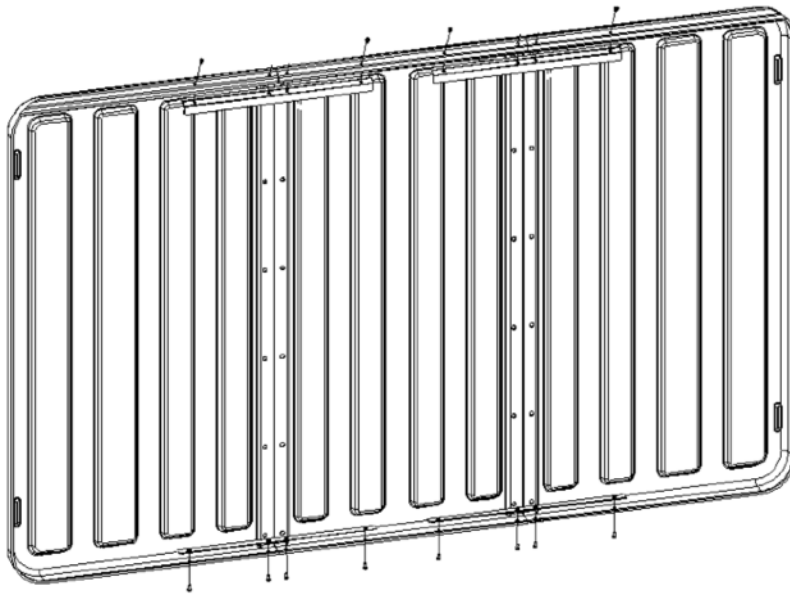
3. Attach the Cover Hooks to the Storm Shell Back by placing the Cover Hooks behind the Storm Shell Back and attaching with two (2) S2 bolts as shown in Figure 4. Note: the S2 bolt head are placed on the inside of the Storm Shell Back and the bolts screw into the Cover Hook threaded holes.



**Figure 4**

## Assemble the Storm Shell Front

4. Place the Storm Shell Front left part and middle part together. Connect the two parts together using the Top Connecting Bar with two (2) S2 bolts. The S2 bolts are placed through the Storm Shell Front top plastic and secured into the threaded holes in the Top Connecting Bar. Next, attach the Bottom Connecting Bar using four (4) S2 bolts. Again, the bolts are placed through the plastic and secured into the threaded hole in the Bottom Connecting Bar. Bolts heads should be on the outside and the connecting bars should be on the inside. Figure 5. Repeat this procedure to connect the Storm Shell Front right part and middle part.



Bolts:  
S2- M4X8 screw: 12pcs

**Figure 5**

5. Install the Middle Connecting Plates. The bent hook of the Middle Connecting Plate is placed on the top of the Storm Shell Front and the Middle Connecting Plate is placed on the front of the Storm Shell Front. The threaded bolts on the Middle Connecting Plate will penetrate the plastic holes in the Storm Shell Front. Note: If the threaded bolts on the Middle Connecting Plate do not align with the holes, you may need to loosen the bolts that secure the Top Connecting Plate and Bottom Connecting Plate until you can align all the holes with the threaded bolts.

Connect the top of the Middle Connecting Plate to the Storm Shell Front using two (2) S2 bolts. Secure the Middle Connecting Plate to the Storm Shell Back using twelve (12) N2 Flange Nuts. See Figure 6 and Figure 7.

Repeat this procedure to connect the second Middle Connecting Plate.



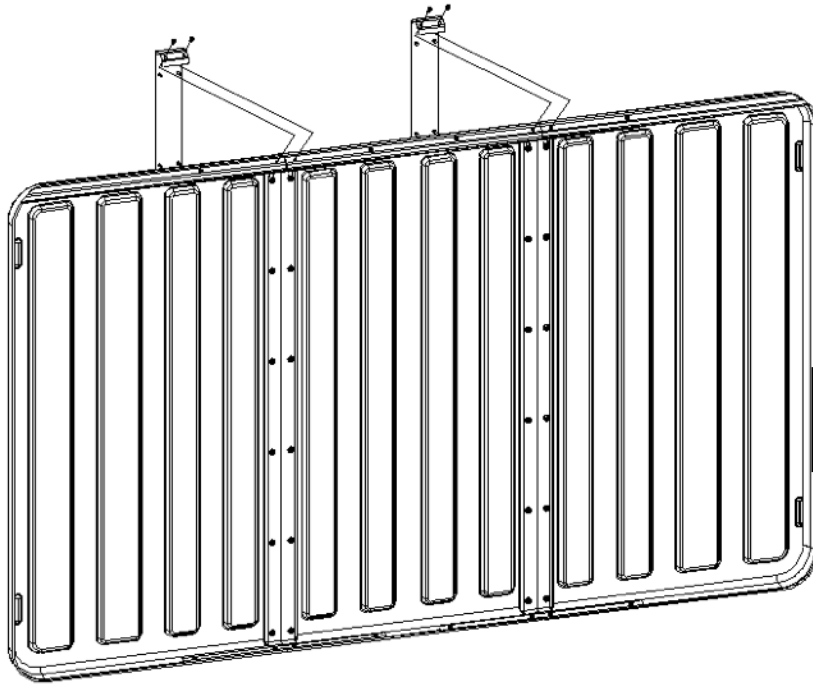


Figure 6

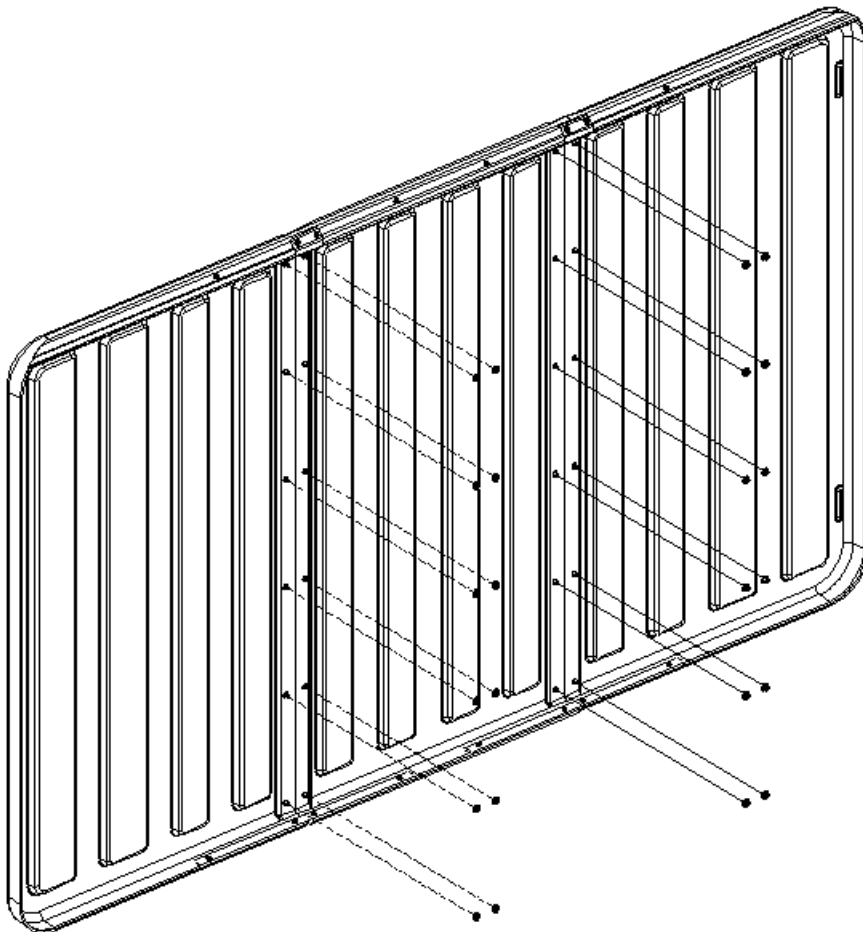


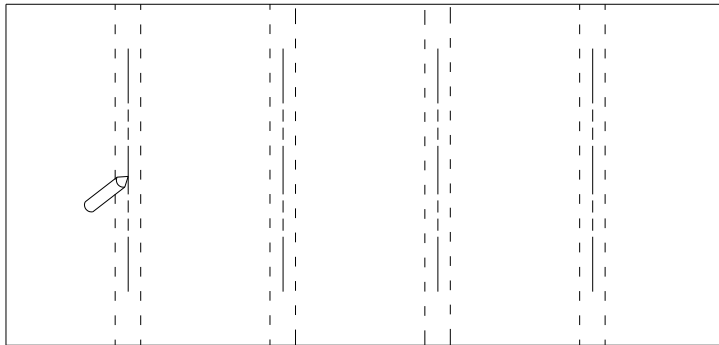
Figure 7

# Install the Storm Shell Back onto the wall

Two people are needed for this installation.

## A) Wood Stud Installation

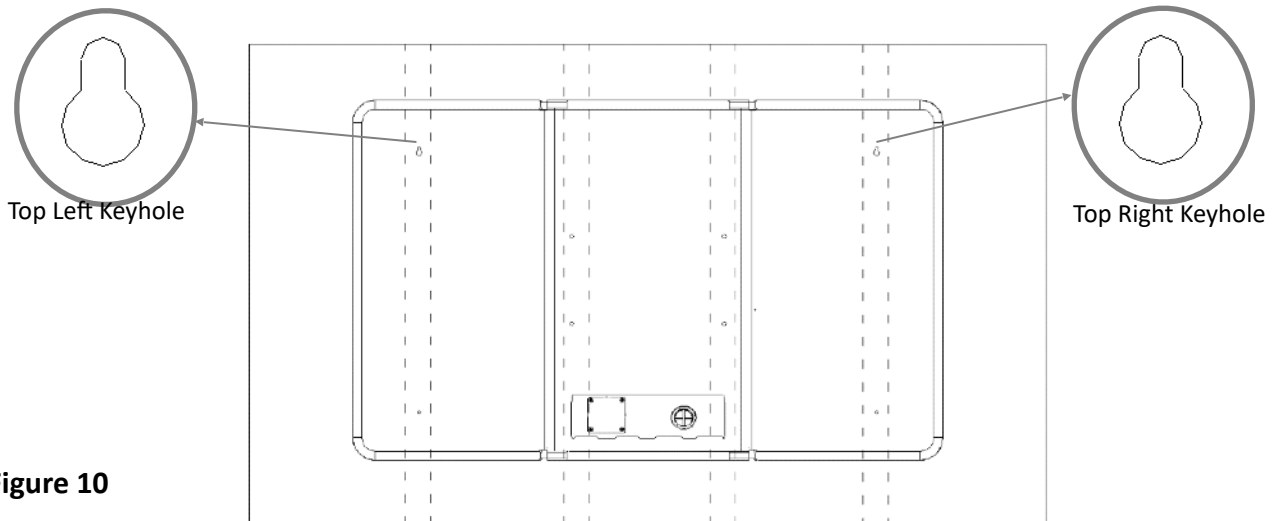
1. Use a high quality electronic stud finder (commercially available) to locate dead center of four adjacent wood studs spaced 16" apart. Mark the location of each stud (Figure 9). If a different placement of the 65" Storm Shell is required to center the TV in a particular space, or if the wall studs are built at 20" spacing, then an Adapter Mounting Plate will be required. Please consult Item "55/65 Storm Shell Adapter Mounting Plate", as shown on StormshellTV.com/Products.



**Figure 9**

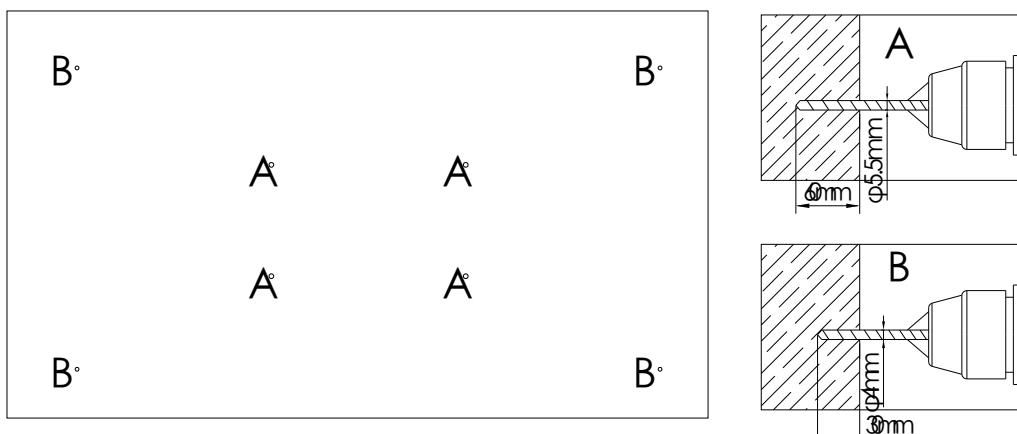
2. Determine the height location for the top of the TV mounting display. Mark this height on the center of the mounting stud positioned furthest to the right. Drill a hole into the stud at this location using a 1/8" drill bit 1.5 inches deep. Screw one of the S8 screws into this location, leaving the head about 1/8" away from the wall. Note: if the TV display is smaller than the 65" Storm Shell (for example, a 60" display), you may need to adjust the location of this mounting screw. This mounting screw will be placed in the top right keyhole of the Storm Shell Back – see Figure 10.

- Lift the Storm Shell Back to the wall and position the S8 screw head (Step 2) into the top right keyhole (Figure 10). Place a bubble level on top of the Storm Shell Back and rotate until the Storm Shell Back is Level. Place a mark on the wall through the top left keyhole. Make sure to mark the top left key hole at the center of the top (where the screw will rest). Remove the Storm Shell Back from the wall and check to ensure that the mark for the top left keyhole is centered on a stud. Repeat the procedure in Step 2 to drill and screw an S8 screw for the top left keyhole. Mount the Storm Shell Back on the wall using the mounted screws and the top left and right keyholes. Check that the Storm Shell Back is level using the bubble level.



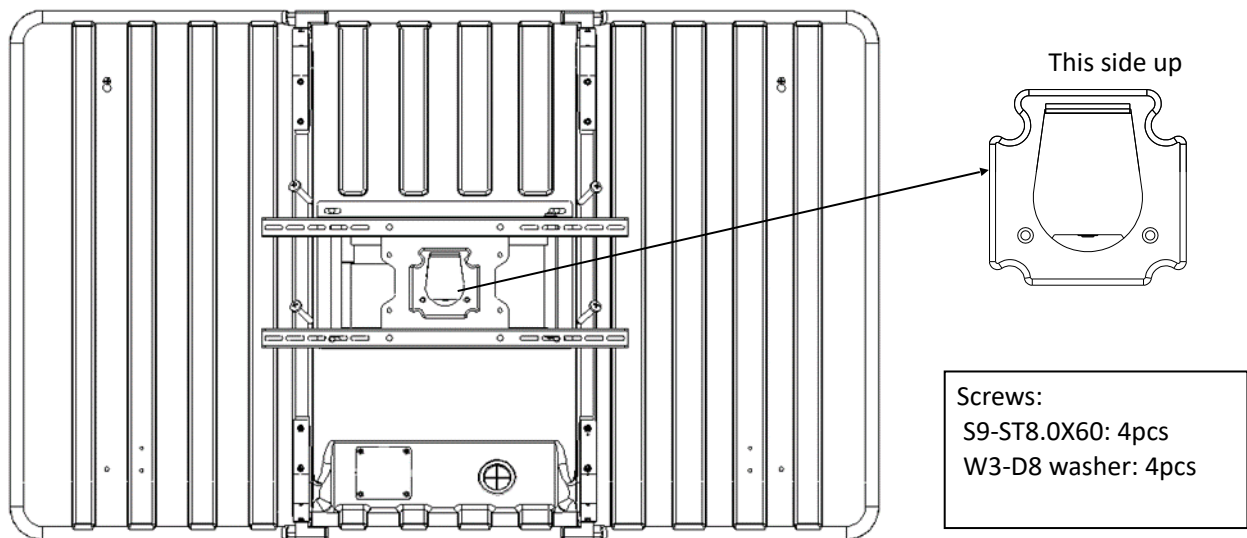
**Figure 10**

- Place a mark through the Storm Shell Back onto the wall in the remaining six (6) mounting locations (Figure 11). Remove the Storm Shell Back from the wall and ensure that the six (6) remaining mounting location marks are located over a stud. For position B, use the same drill procedure as Step 2 (1/8" drill bit 1.5 inches deep – 30 mm). For position A, drill a hole using a 1/4" drill bit, 3 inches deep (60 mm).



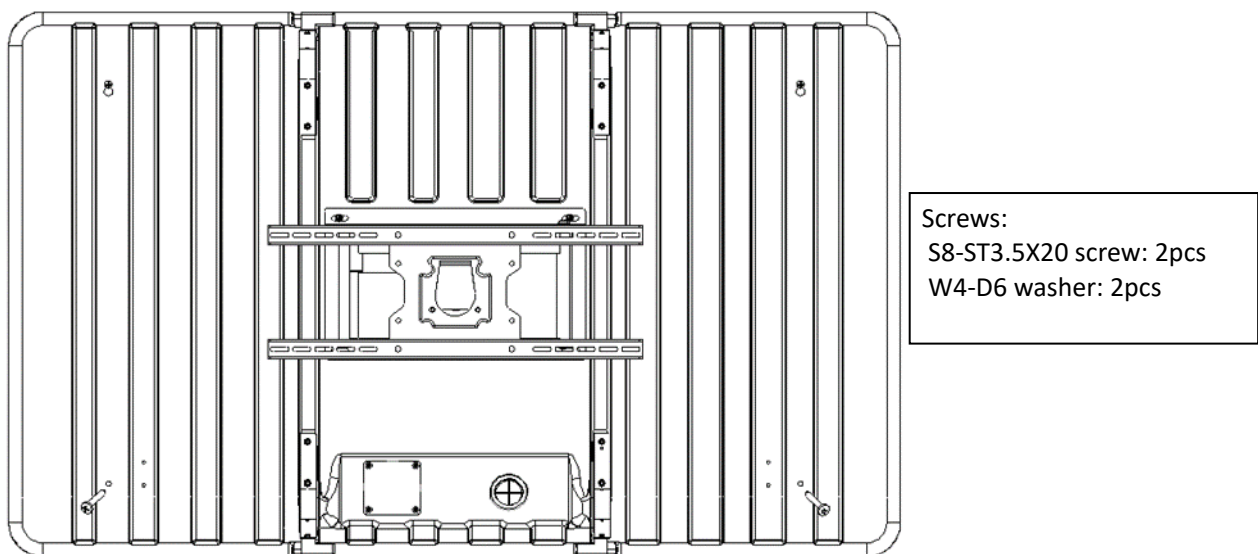
**Figure 11 – Storm Shell Back Mounting Locations**

5. Hang the Storm Shell Back on the wall. Use a 13 mm socket and wrench to attach the TV Bracket using the S9 Lag Bolts and the W3 washers (note the washers are placed between the S9 bolt head and the TV Bracket mounting hole). Ensure that the TV Bracket is level and installed in the right direction. See Figure 12.



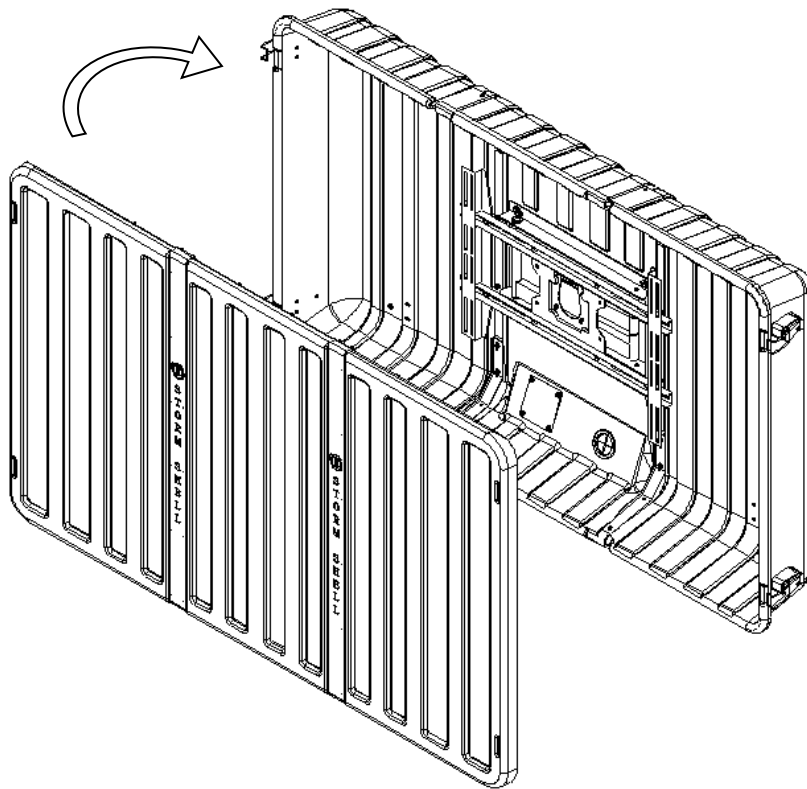
**Figure 12**

6. Secure the Storm Shell Back to the wall by installing two (2) S8 screws and two (2) W4 washers in the lower mounting holes (Figure 13). Tighten the S8 screws in the upper left and right keyholes.



**Figure 13**

7. Install the Storm Shell Front and check that cover and latches fit correctly. Figure 14.



**Figure 14**

### **B) Concrete or Brick Installation**

When installing the Storm Shell Hard Cover and TV Bracket on a concrete or brick wall, the S8 and S9 screws alone will not be sufficient. Do not attempt to use the supplied S8 and S9 screws alone on masonry or concrete.

Several options are commercially available for concrete or brick anchors. Options include concrete sleeve anchors or concrete screws. Consult your local hardware store or online resources to determine the best solution for your specific wall material. Obtain proper anchors and screws to replace the S8 and S9 screws.

The installation procedure for concrete or brick is the same as for wood stud installation with the following exceptions:

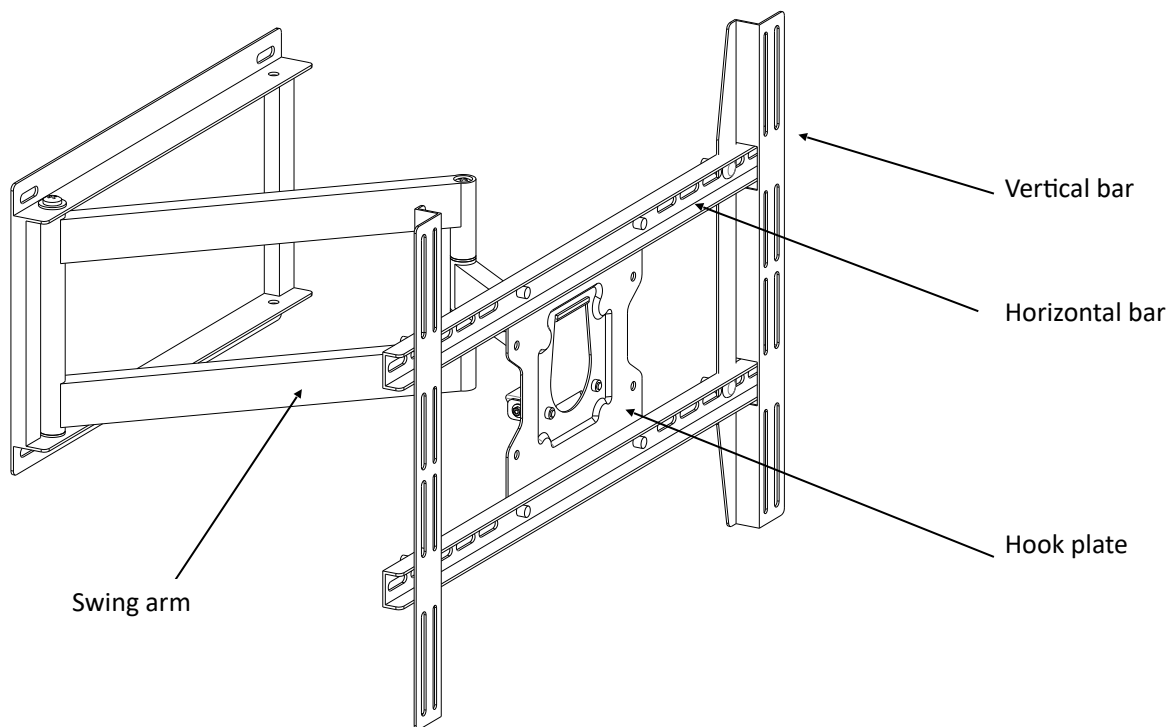
- Locating four wood studs is not required. Determine the desired location for the Storm Shell Hard Cover and proceed at Step 2, using the selected concrete anchors.

## Install the TV Display

**Caution:** This TV bracket can be used for a TV up to 65". The maximum weight of the TV display should be less than 148 lbs. (67 kg.).

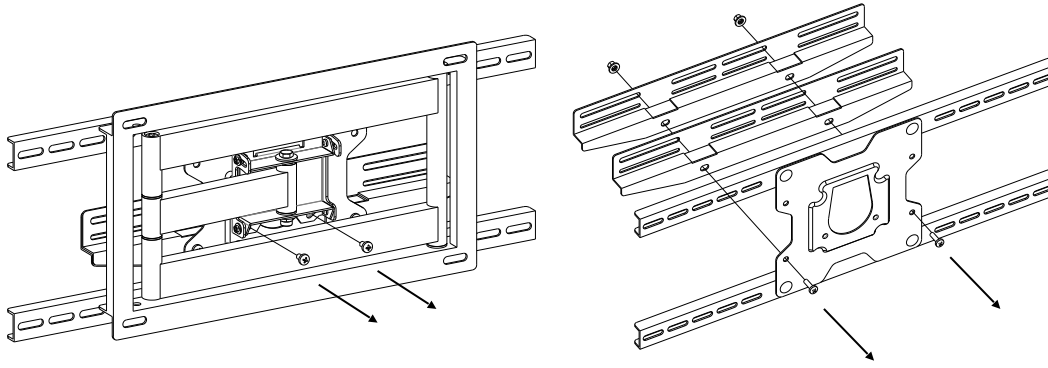
The installation kit includes screws of various diameters to ensure optimal installation.

Figure 15 shows the parts of the TV Bracket.



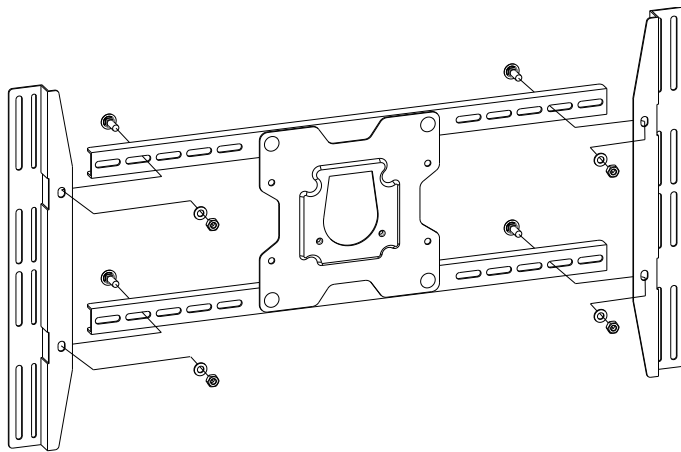
**Figure 15**

1. Place the TV display screen down on a soft, flat surface. Locate the four (4) threaded mounting points that are located on the back of the display (called the VESA mounting holes).
2. Determine which screw (S4/S5/S6) is the proper size for the VESA mounting holes.
3. If the TV display has a curved back, or recessed VESA holes, the W2 Thick Washer can be used as needed.
4. Determine the VESA mounting hole pattern dimensions. Typical dimensions are 200 mm x 200 mm (7 7/8" x 7 7/8"), 400 mm x 400 mm (15 3/4" x 15 3/4"), 600 mm x 400 mm (23 5/8" x 15 3/4").
5. Remove the two Vertical Bars and Hook Plate from the Swing Arm by removing the two securing screws at the connection of the Hook Plate to the Swing Arm (Figure 16):



**Figure 16**

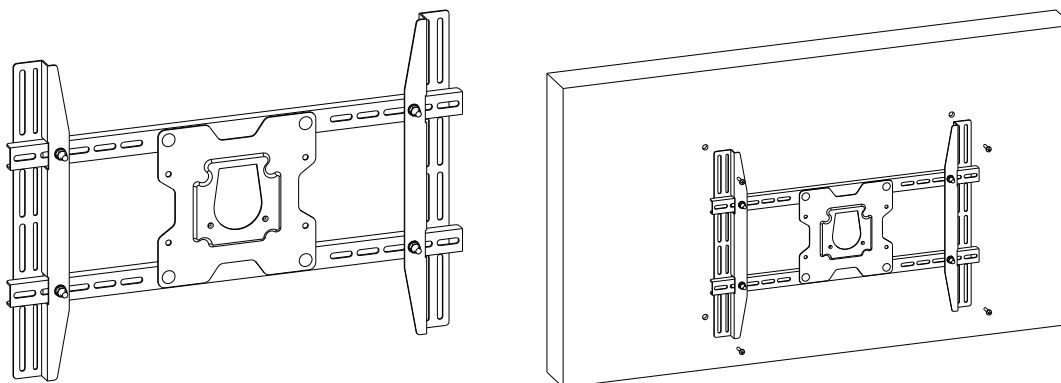
6. Assemble the two Vertical Bars onto the Horizontal Bars using four (4) S1 bolts, with W3 washers and N1 nuts as shown in Figure 17. The Vertical Bars slide into the Horizontal Bars (see Figure 18 for correct assembly). The Vertical Bars must be spaced to match the width of the VESA hole pattern (usually 400 mm (15 3/4") or 600 mm (23 5/8")).



Screws:  
 S1-M8.0X15: 4pcs  
 W3-D8 washer: 4pcs  
 N1-M8 nut: 4pcs

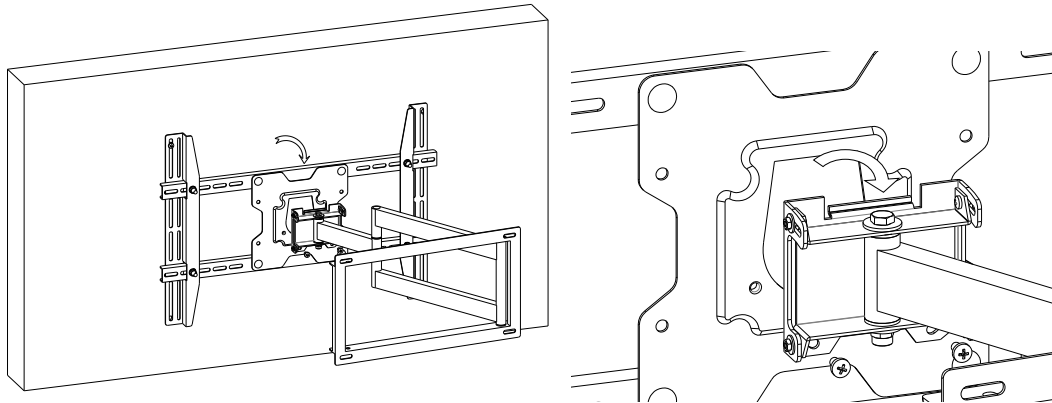
**Figure 17**

7. Fix the Vertical Bars and Hook Plate to the back of the TV Display by connecting the proper screw (S4/S5/S6) into the VESA holes. Select the proper washer (W1/W2/W3) to be used with the screws. Figure 18.



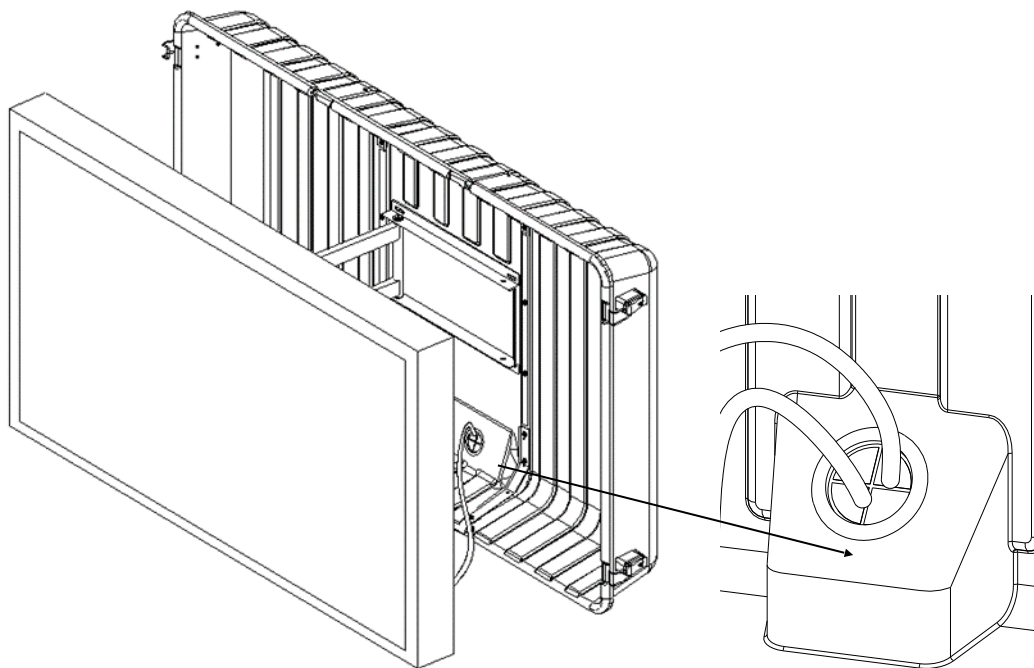
**Figure 18**

- Lift the TV Display (with the Hook Plate firmly attached to the back) and slide the Hook Plate in place on the Swing Arm (Figure 19). Replace the securing screws that were removed in Step 5.



**Figure 19**

## **Set TV Cables**



**Figure 20**