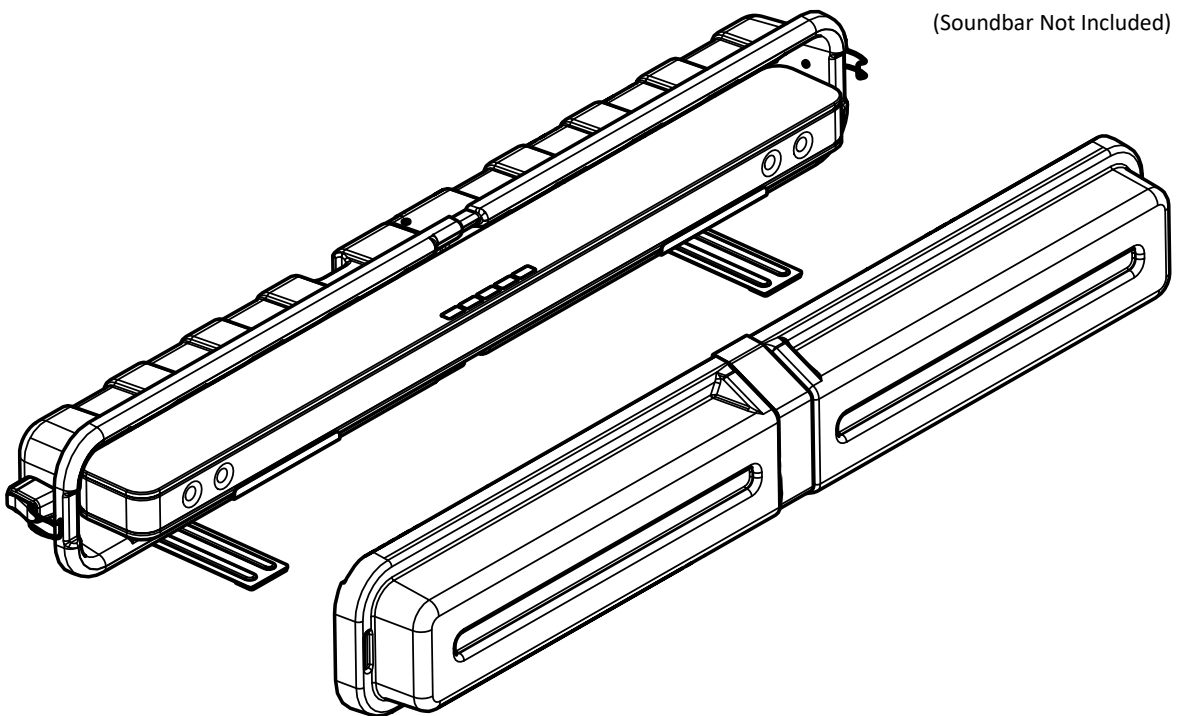




ASSEMBLY & INSTALLATION INSTRUCTIONS

SS-SB – Storm Shell Soundbar Hard Cover & Wall Mount

v 3.0



If you have any questions, please contact us at cs@stormshelltv.com, or call at (435) 752-6611
Mon – Fri 9am – 5pm (MT)

STOP

Please do not return to store.

WE CAN HELP

Email: cs@stormshelltv.com

Call: (435) 752-6611 M–F 9am – 5pm (MT)

For Customer Service



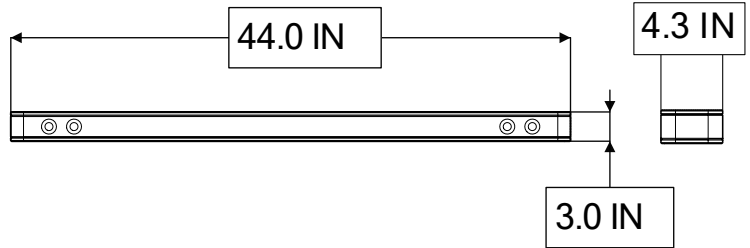
- If you need any assistance with your new item, please call us or you can email us your inquiries. We will be happy to assist and walk you through your assembly process.
- If you are missing any parts, we will ship them to you free of charge.
- Work in a spacious area near where the item will be used.
- Check your item list to make sure all your parts and hardware are included before you begin the assembly process.
- It is important to follow each step as instructed to avoid any unwanted obstacles.

Before getting started, let's make sure this Storm Shell will work for you!

Soundbar Size

Maximum Soundbar dimensions:

44.0 in x 3.0 in x 4.3 in



Weight Capacity

Maximum Soundbar Weight (including accessories):

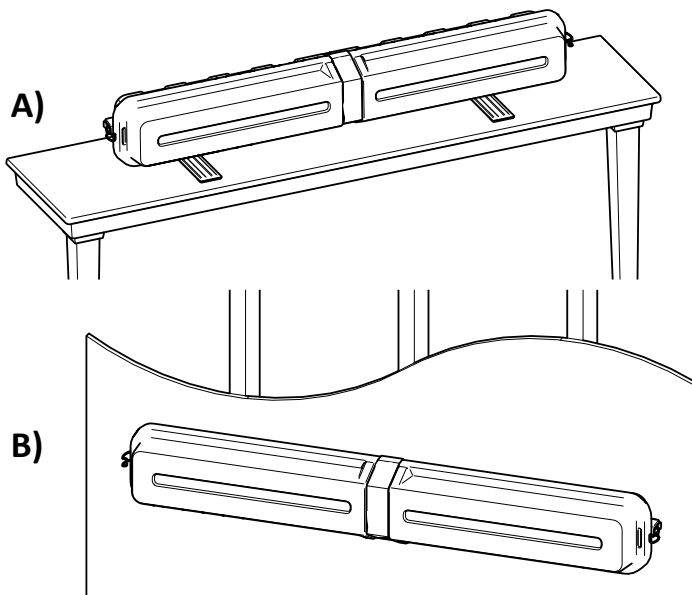


CAUTION!

20 LBS MAX

Mounting Style

The Storm Shell Soundbar Cover can be mounted as either (A) on a flat surface with included feet, or (B) wall mounted.



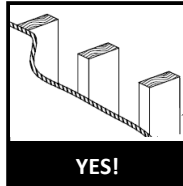
Before getting started, let's make sure this Storm Shell will work for you!

Wall Material

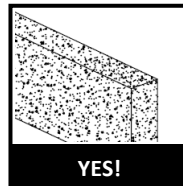
For wall mount option:

Hardware is included for:

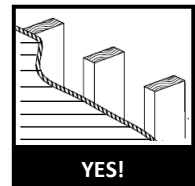
- Drywall over Wood Studs
- Solid Concrete, structural brick, or masonry (minimum 8 inch thick)
- Outdoor Siding (aluminum, vinyl, stucco, brick veneer, etc.) installed over Wood Studs.



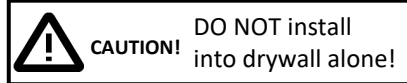
Drywall over wood studs?



Solid concrete?

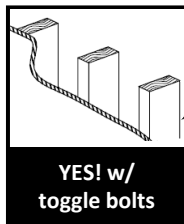


Outdoor siding over wood studs?

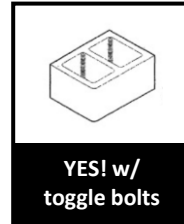


Not all hardware is included for:

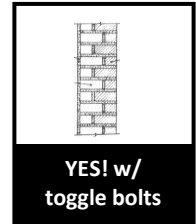
- Drywall over Metal Studs
- C 90 Hollow Concrete Block
- Structural brick or masonry (less than 8 inch thick)



Drywall over metal studs?

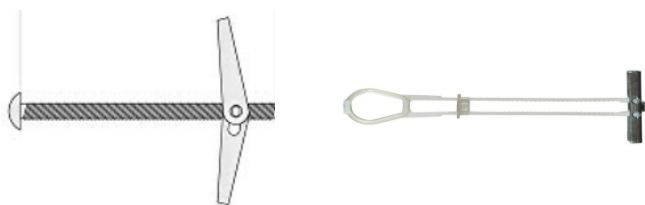


C90 Hollow Concrete block?



Structural Brick or Masonry?

Good News! The Storm Shell can be installed on these materials using toggle bolts (not included). See installation instructions for size details.



Toggle Bolts are available at your local hardware store or online source.

Installation Tools (Not Included)

All Installations



Tape Measure



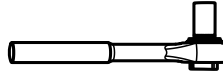
Pen/Pencil



Phillips
Screwdriver



Bubble Level

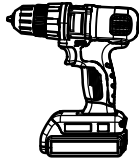


Socket Wrench

Wood Stud Installation



Stud Finder

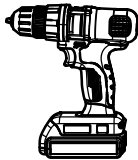


Power Drill



5/32" (4mm)
Wood Drill Bit

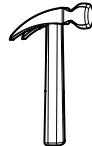
Solid Concrete, Brick, Masonry Installation



Hammer Drill



5/16" (8mm)
Masonry Drill Bit



Hammer

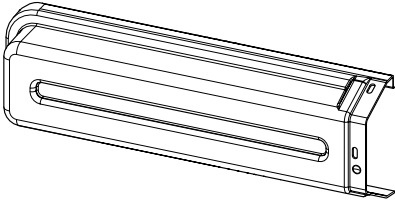


Crescent Wrench

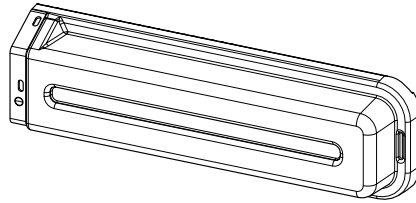
Safety Caution

- Prior to installation of this product, the installation instructions should be read and completely understood to prevent personal injury and property damage. Keep these installation instructions in an easily accessible location for future reference.
- This mount and hard cover contains small parts which can act as a choking hazard if swallowed.
- CAUTION: The maximum Soundbar load capacity is 20 lbs. (9 kg). Use with products exceeding the maximum load capacity may cause serious injury.
- The wall structure must be capable of supporting at least five times the maximum load capacity as indicated. If not, the wall must be reinforced.
- Do not mount on drywall or plywood alone.
- Do not install on a structure that is prone to vibration, movement or chance of impact. Failure to do so could result in damage to the soundbar and/or damage to the mounting surface.
- Do not install near heater, fireplace, air conditioning or any other heat producing source. Failure to do so may result in damage to the soundbar and/or the hard cover and could increase the risk of fire.
- Make sure no water or natural gas lines are present where the mount is to be installed. Cutting or drilling into water or natural gas lines could cause personal injury or property damage.
- Proper installation procedure by yourself or a qualified service technician, as outlined in the installation instructions, must be adhered to. Failure to do so could result in serious personal injury.
- When mounting to a wall that contains wood studs, confirm the dead center of the wood stud prior to installation, it is recommended that the wood studs be a minimum of 16" apart.
- Injury and/or damage can result from dropping or mishandling the soundbar or hard cover.
- If you don't understand these installation instructions, please consult an installation specialist.

Supplied Parts & Hardware



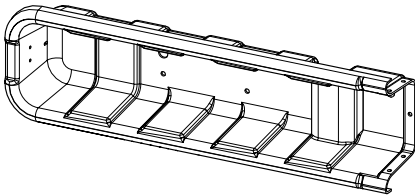
**Storm Shell Front –
left part (1 PC)**



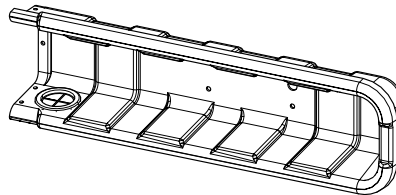
**Storm Shell Front –
right part (1 PC)**



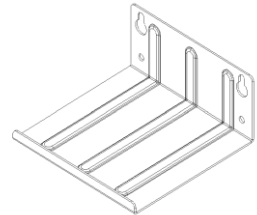
Buckle Latch (2 PC)



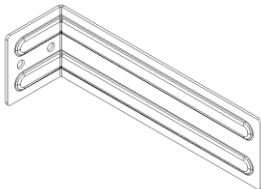
**Storm Shell Back –
left part (1 PC)**



**Storm Shell Back –
right part (1 PC)**



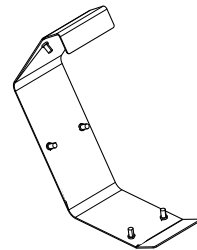
**Soundbar Mounting
Bracket (2 PC)**



**Foot Bottom Bracket (2
PC)**

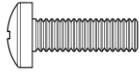


Foot Top Bracket (2 PC)



**Middle Connecting
Plate (1 PC)**

Supplied Parts & Hardware



M6x15mm
A2 (10 PC)



M6 Flange Nut
B2 (10 PC)



M4x12mm
C2 (5 PC)



M4 Flange Nut
D2 (5 PC)



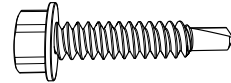
ST3.5x20mm
E2 (6 PC)



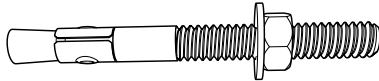
M4 Nut
F2 (6 PC)



D4 Washer
G2 (6 PC)



ST6x30mm
H2 (4 PC)



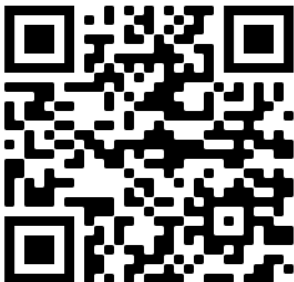
Concrete
Sleeve Anchor
J2 (2 PC)



CAUTION!

**CHOKING
HAZARD**

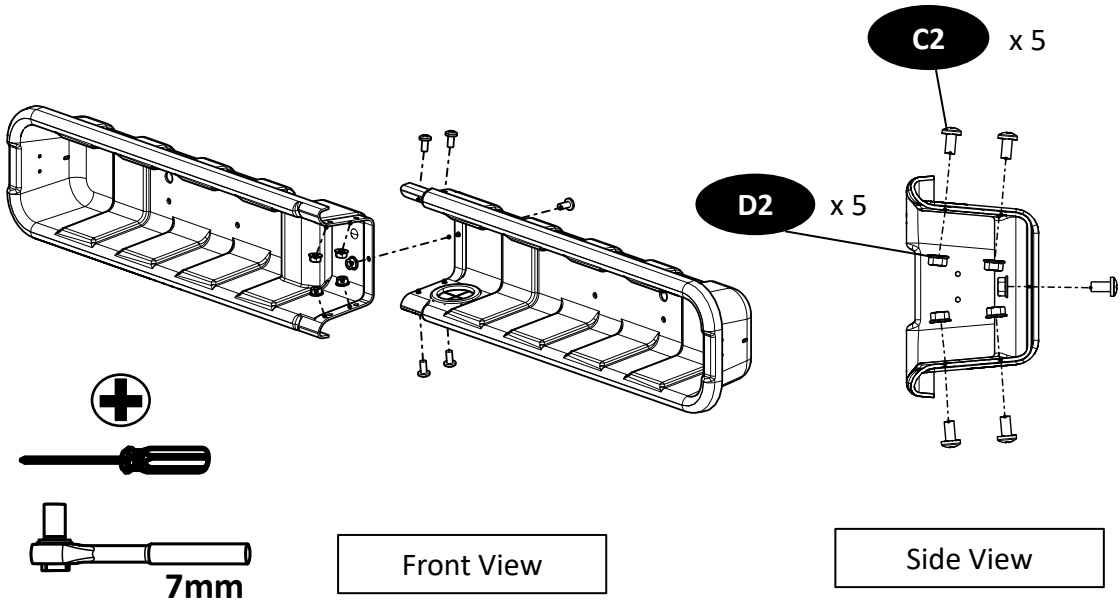
Assembly & Installation Video



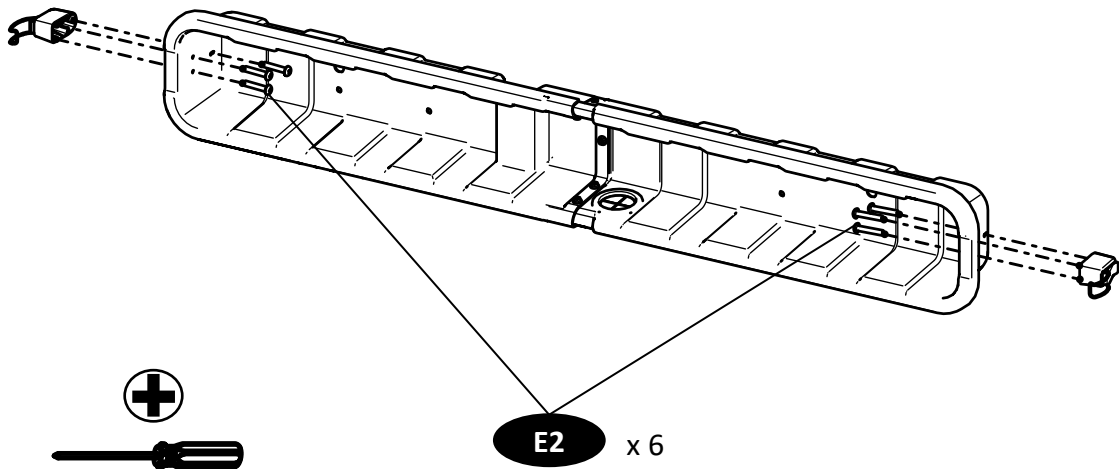
Scan the QR Code for video link

Step 1 – Prepare the Storm Shell

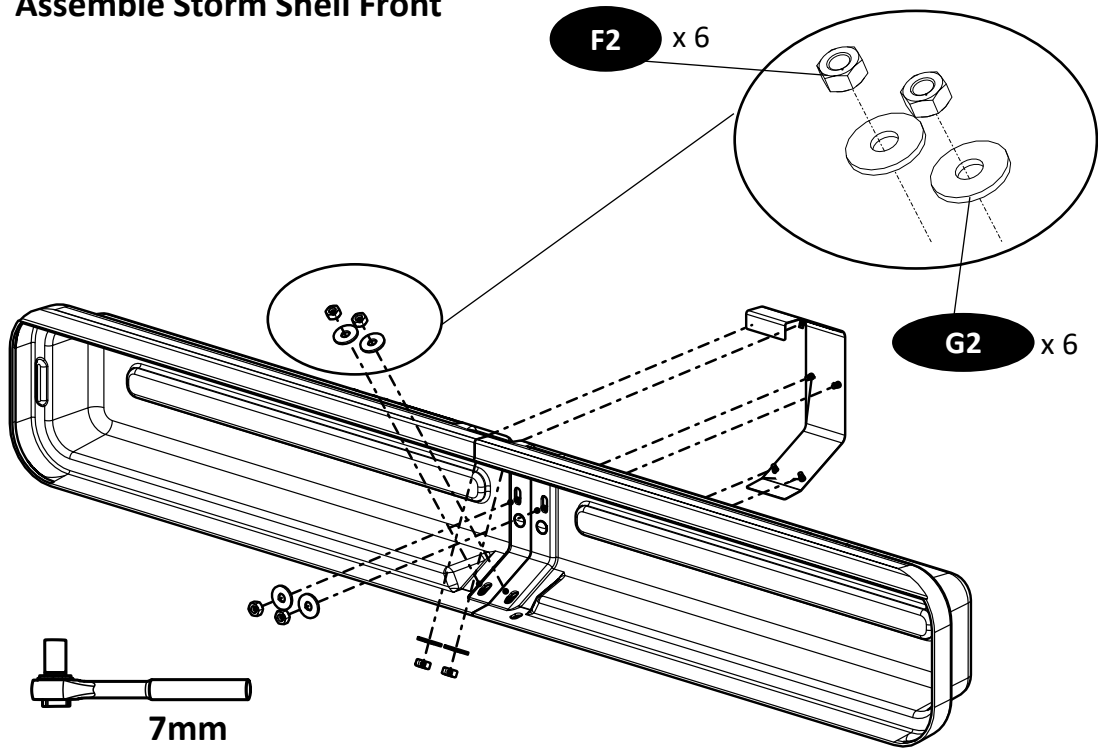
1-1 Assemble Storm Shell Back



1-2 Attach Buckle Latches



1-3 Assemble Storm Shell Front



Do not over-tighten F2 nut! Over-tightening will create dimples on front of the Middle Connecting Plate.

Mounting Options

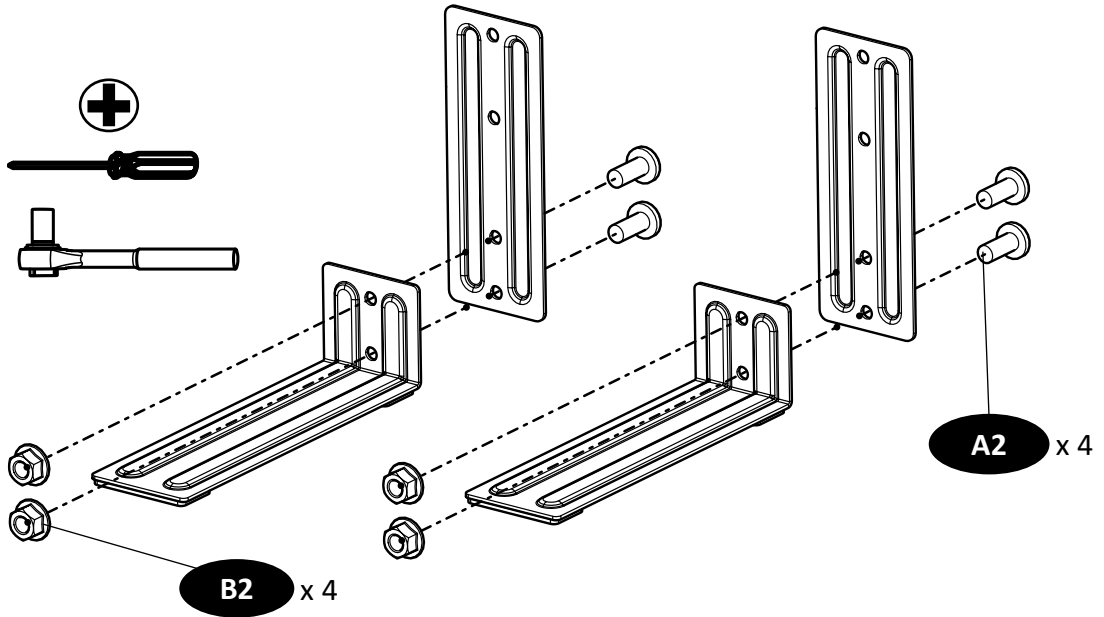


Determine how you want the Storm Shell Soundbar Hard Cover mounted.

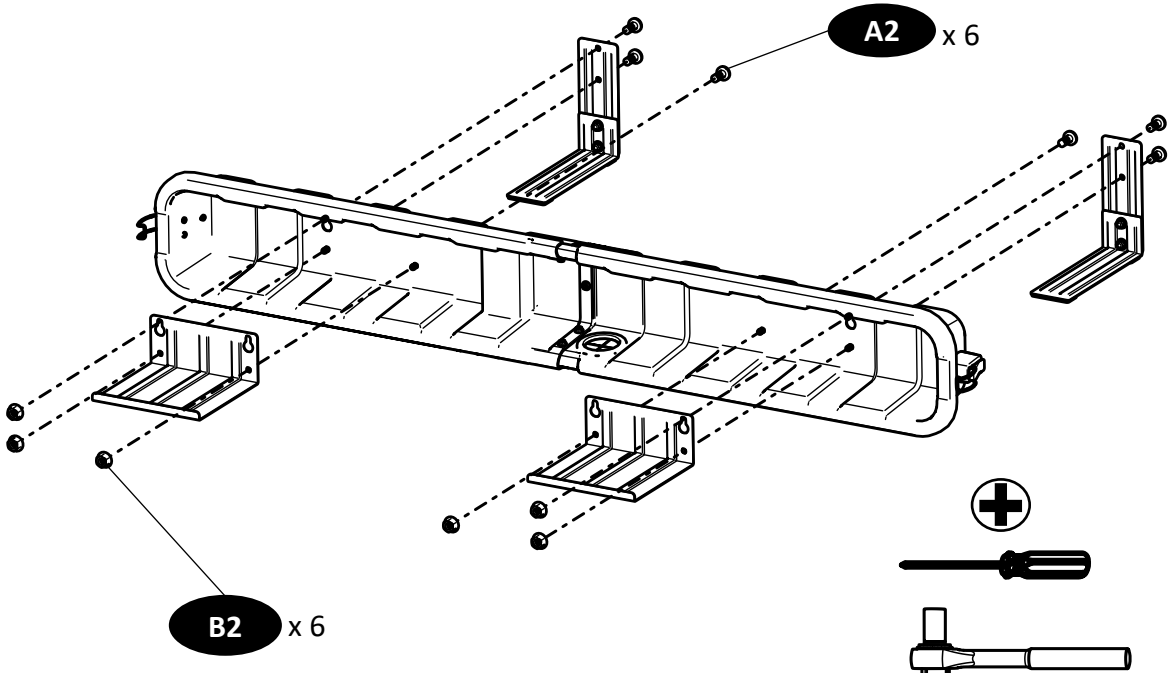
- **Option A – Free standing on a flat surface with the included feet go to STEP 2.**
- **Option B - Wall mounted go to STEP 3.**

Step 2 – Option A - Assembly for Flat Surface with Feet

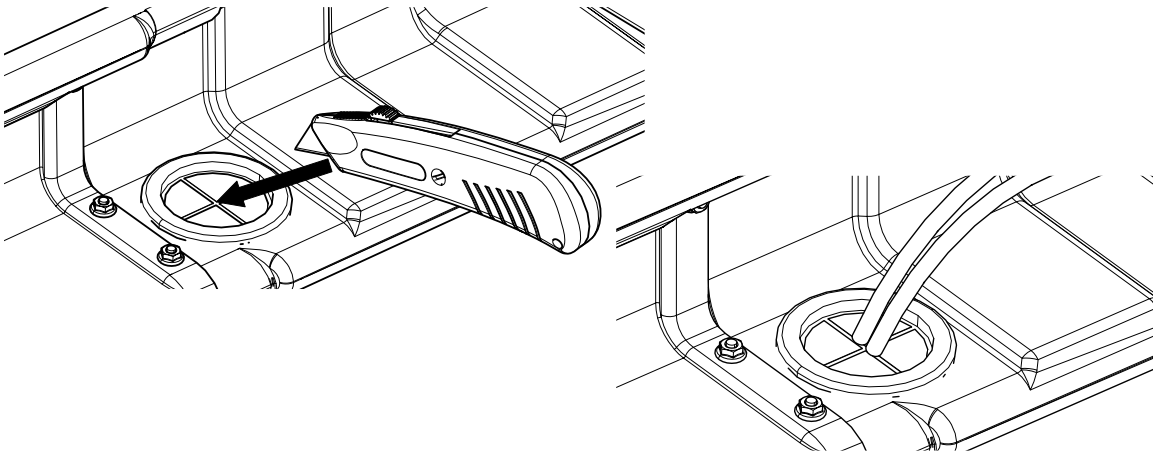
2-1 Connect Foot Bottom Bracket to Foot top Bracket



2-2 Attach Foot Brackets and Sound Bar Mounting Brackets

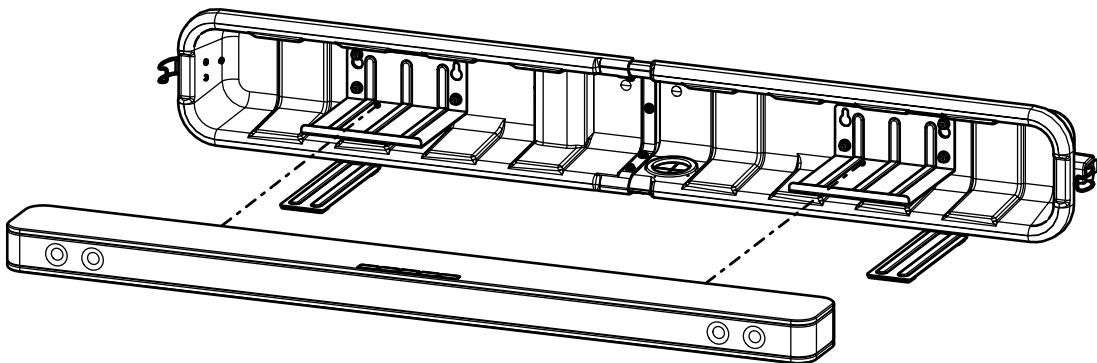


2-3 Cut the Grommet and Route the Cables



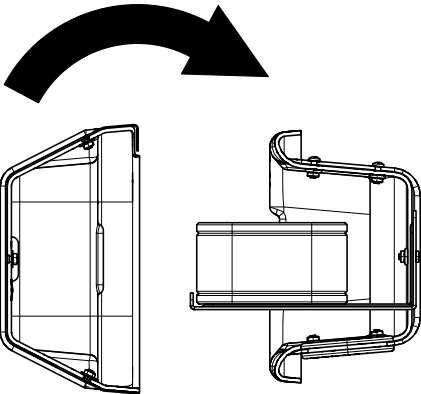
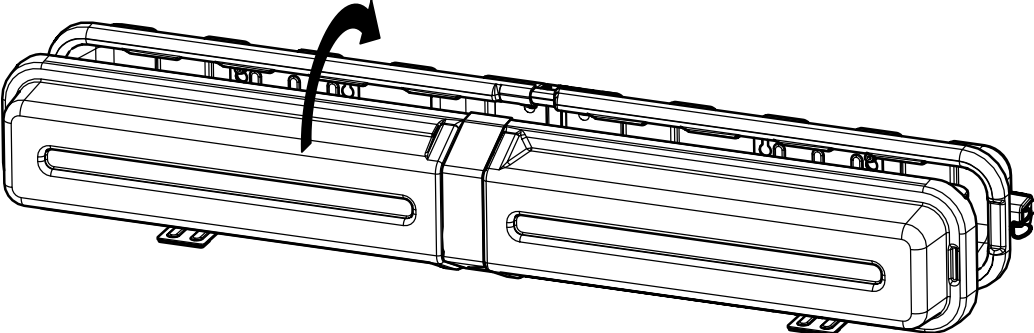
- **Cut the grommet with a utility knife or box cutter.**
- **Place cords through the grommet hole.**

2-4 Install the Soundbar on the Soundbar Mounting Brackets



- **Install the soundbar on the Soundbar Mounting Brackets. The soundbar is intended to rest on the brackets.**
- **The soundbar can be secured to the brackets if desired (securing hardware not included).**

2-5 Install Storm Shell Front – check fit



Side View

Step 3 – Option B - Attach Storm Shell Back to Wall

Determine the wall material and wall supports. Wall supports are typically wood or metal studs, concrete, structural brick or masonry. Wall material (cladding) is typically drywall, siding (vinyl or aluminum), stucco, brick veneer.



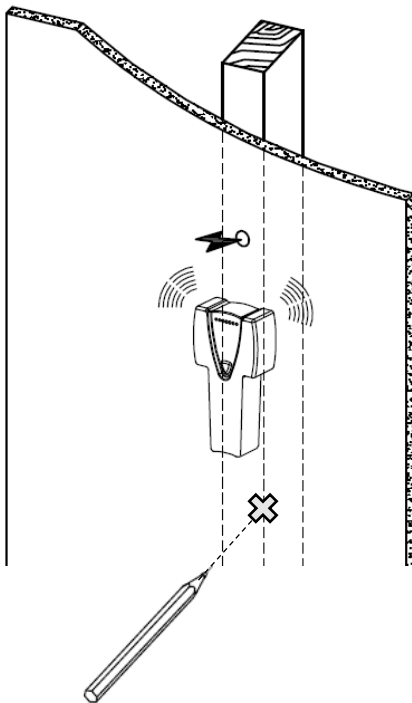
CAUTION!

The Storm Shell Soundbar Cover must be secured into concrete, structural brick or masonry, wood or metal studs. Do not mount directly into drywall or plywood.

- For wood stud installation, follow STEP 3A
- For solid concrete installation, follow STEP 3B
- For hollow wall installation (metal studs, concrete block), follow STEP 3C

Step 3A – Wood Stud Installation

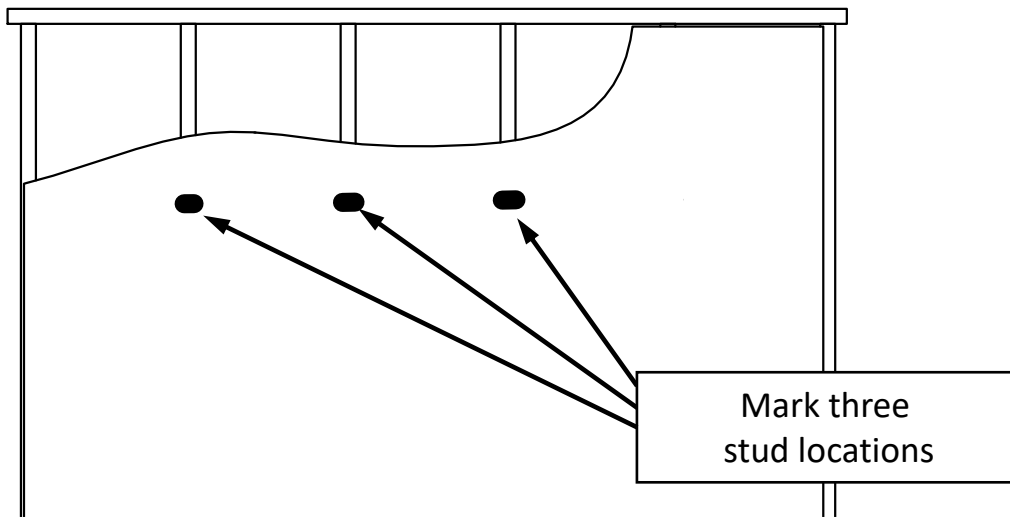
3A-1 Locate and Mark Wood Studs



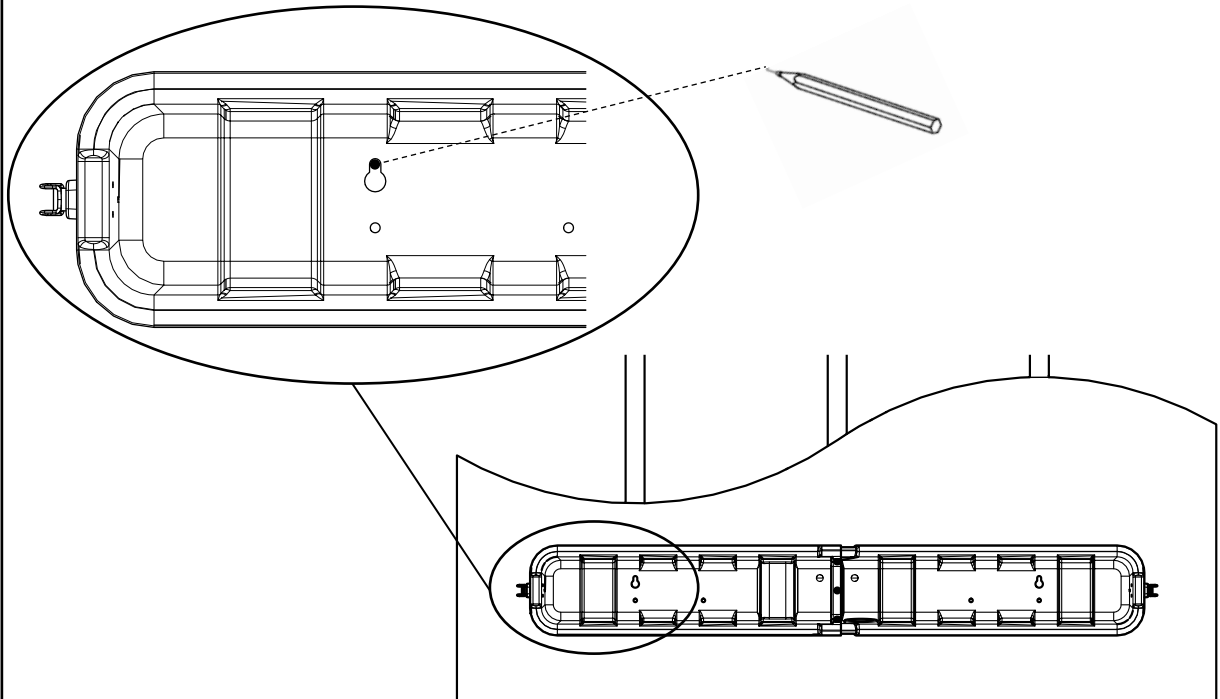
NOTE!

If the wall material is outdoor siding (vinyl or aluminum), stucco, or brick veneer; the wood studs may be difficult to locate with a stud finder due to several layers of construction cladding. You may need to locate the wood stud from the inside wall and use measurements to locate the wood stud on the outdoor wall.

3A-2 Locate and mark three studs (16" center) to mount the Storm Shell Back

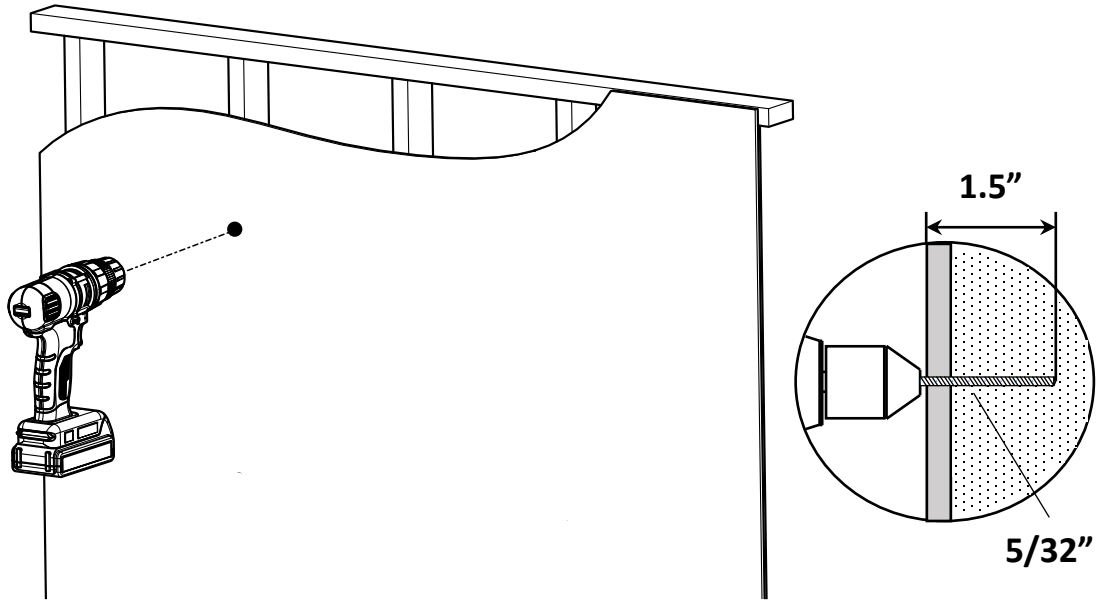


3A-3 Mount Storm Shell Back



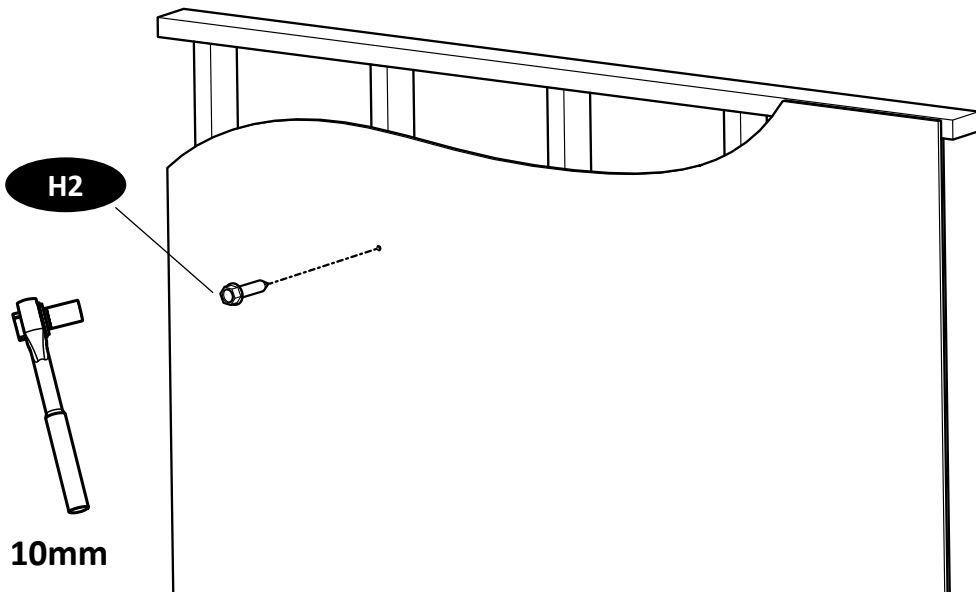
- Place Storm Shell Back at desired installation location.
- Mark in the top of the left "key-hole" (ensure the mark is over a stud).

3A-4 Mount Storm Shell Back



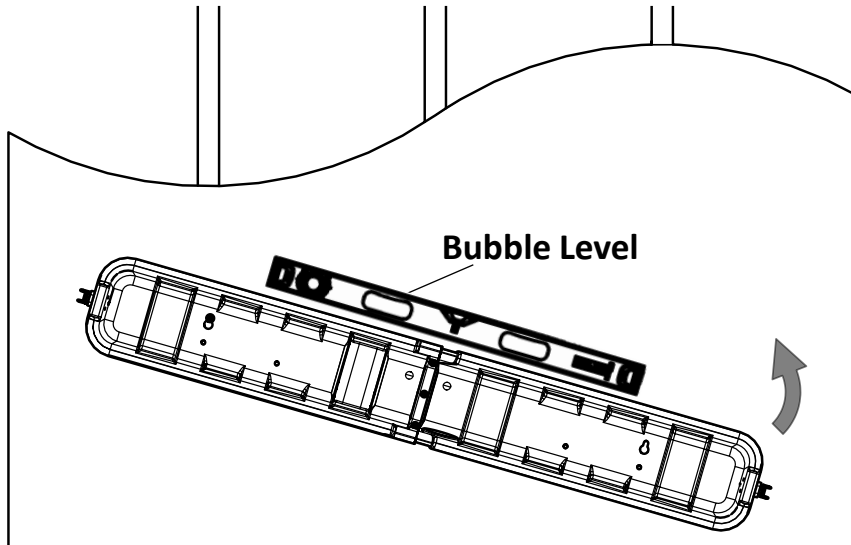
- Remove the Storm Shell Back and drill on the mark with a 5/32" wood drill bit 1.5" deep.

3A-5 Mount Storm Shell Back



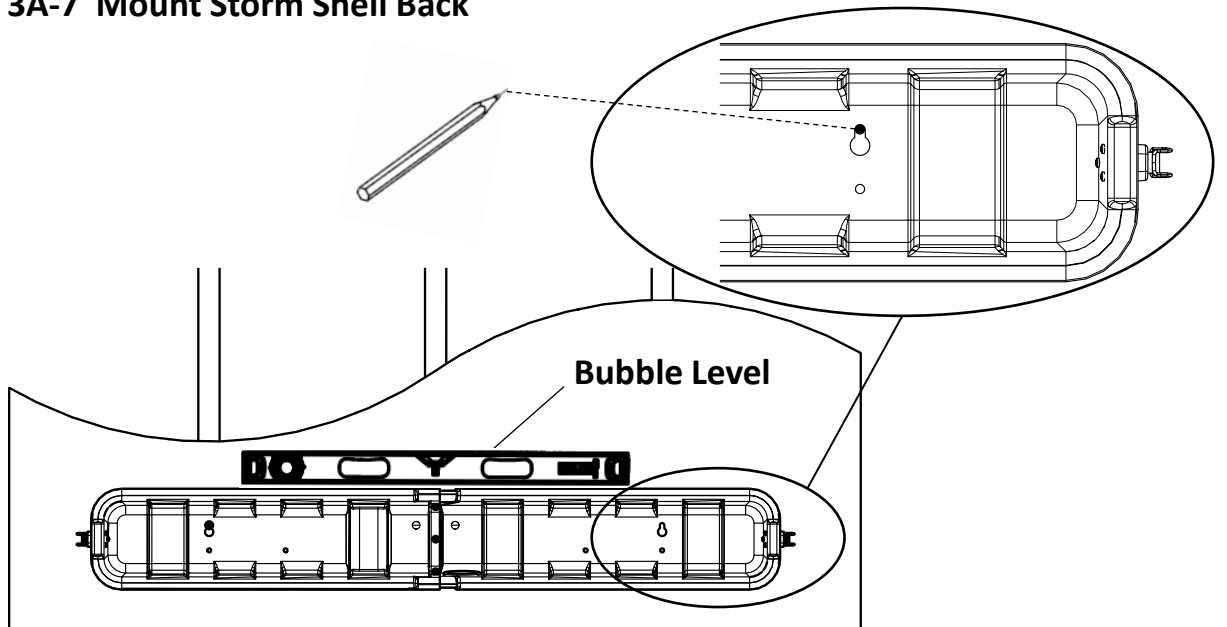
- Install a H2 screw in the drilled hole (leave a small gap between screw head and wall) – use a 10mm socket.

3A-6 Mount Storm Shell Back



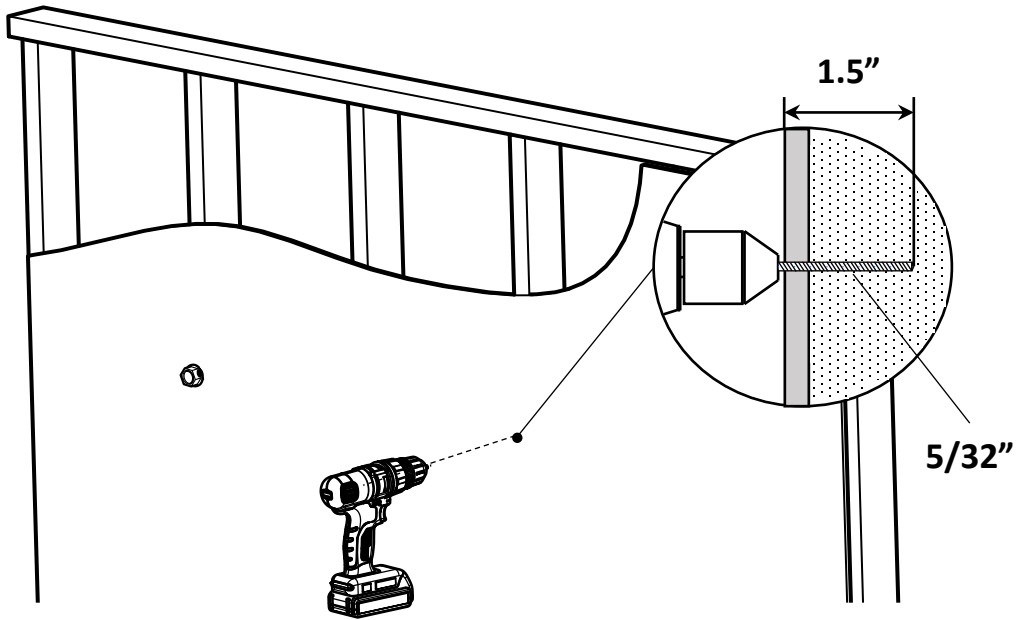
- Hang the left key-hole on the installed H2 screw.
- Place a bubble level on Storm Shell Back, swing so the enclosure is level.

3A-7 Mount Storm Shell Back



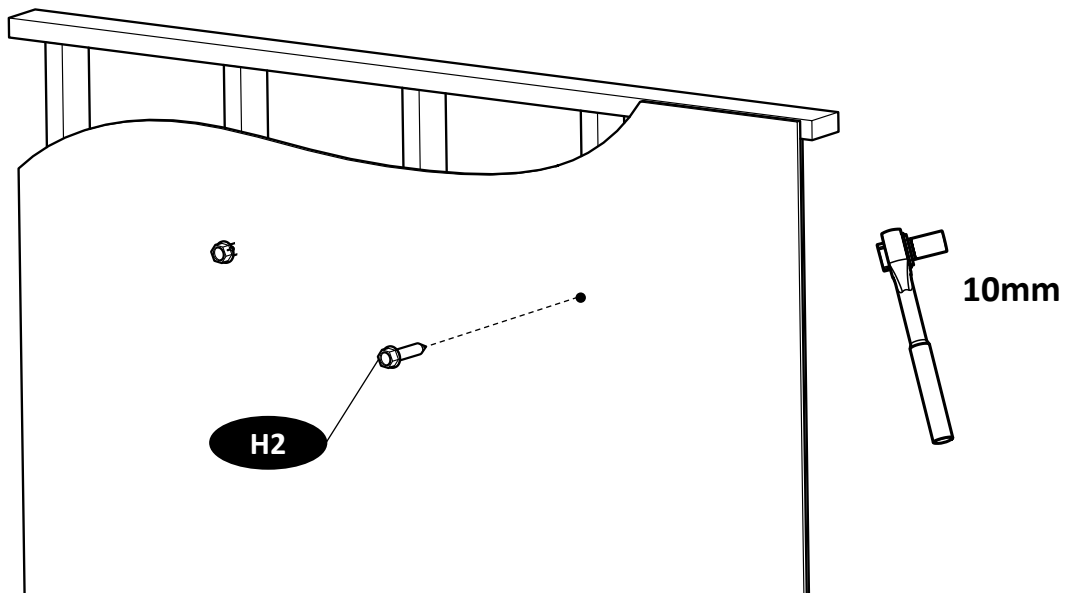
- Mark in the top of the right “key-hole”

3A-8 Mount Storm Shell Back



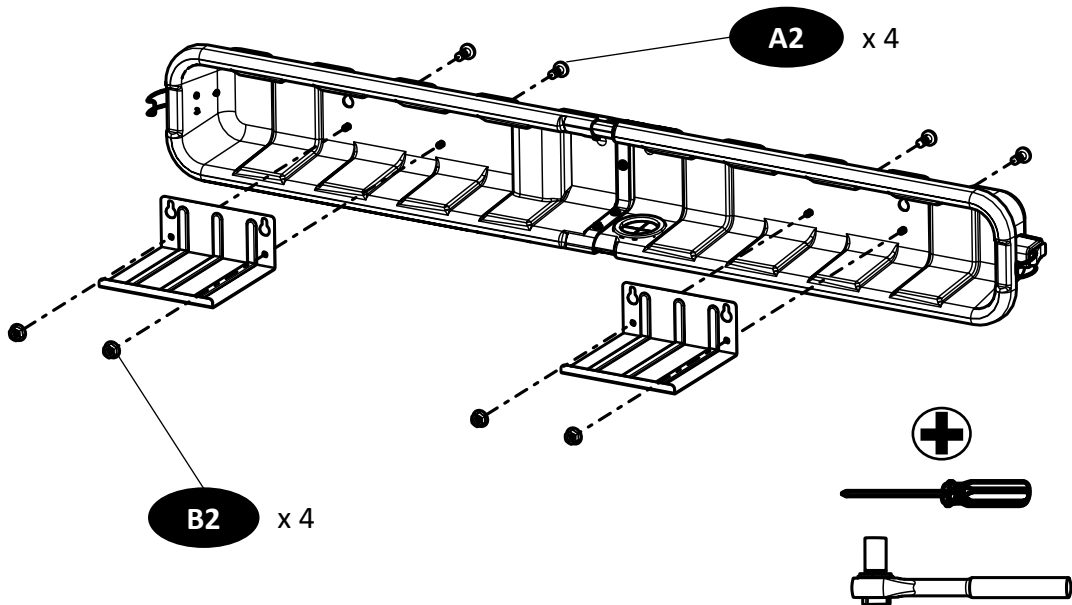
- Drill on the mark with 5/32" wood drill bit, 1.5" deep.
- Ensure all drill holes are on studs.

3A-9 Mount Storm Shell Back

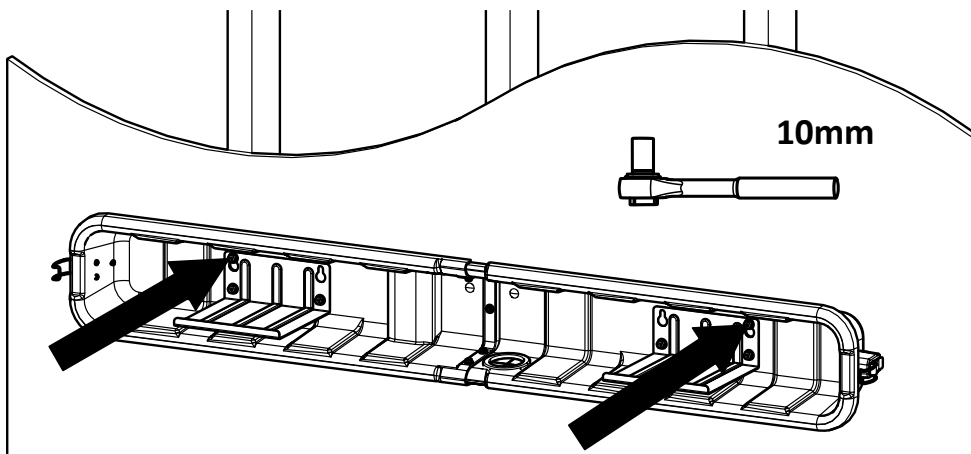


- Install a H2 screw in the drilled hole (leave small gap between screw head and wall) – use 10mm socket.

3A-10 Assemble the Soundbar Mounting Brackets

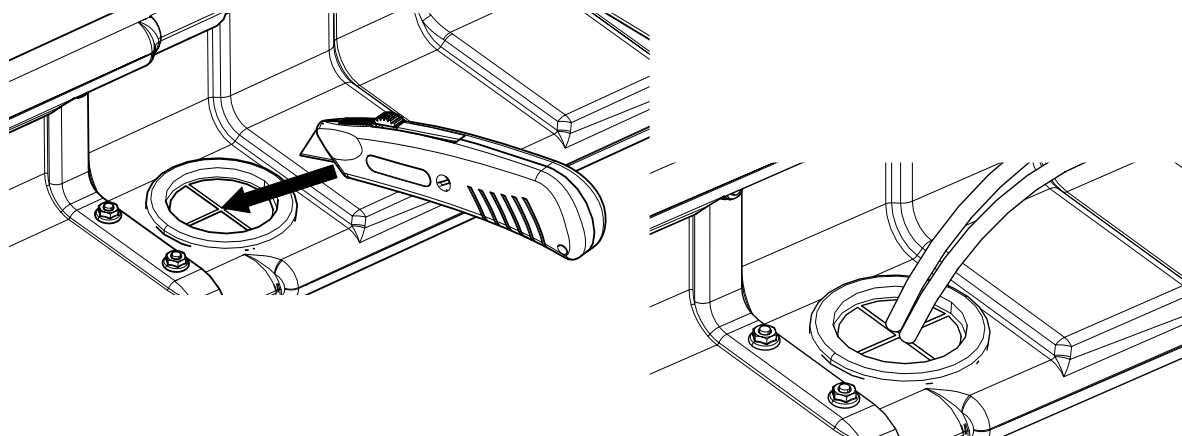


3A-11 Mount Storm Shell Back



- Place the Stormshell Back on the wall using the mounted H2 screws through the keyholes.
- Tighten the H2 screws to firmly fix the Storm Shell Back to the wall.

3A-12 Cut the Grommet and Route the Cables

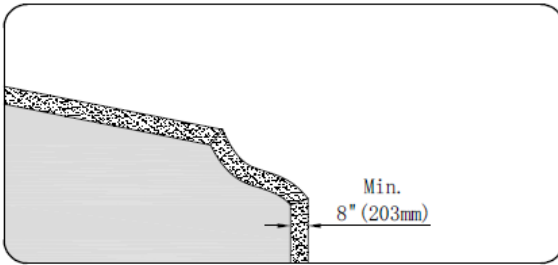


- **Cut the grommet with a utility knife or box cutter.**
- **Place cords through the grommet hole. Cords coming into the soundbar can be run in the cord channel behind the Storm Shell Back.**

3A-13 Install the Soundbar and Storm Shell Cover

- **Follow Step 2-4 and 2-5.**

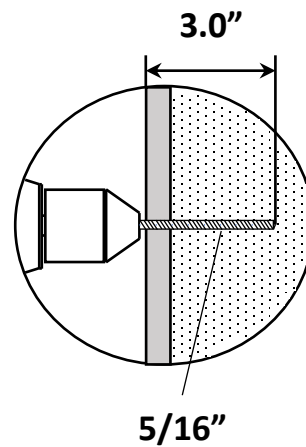
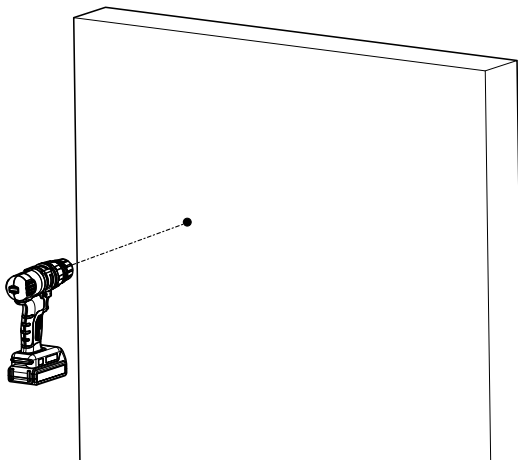
Step 3B – Concrete Wall Installation



CAUTION!

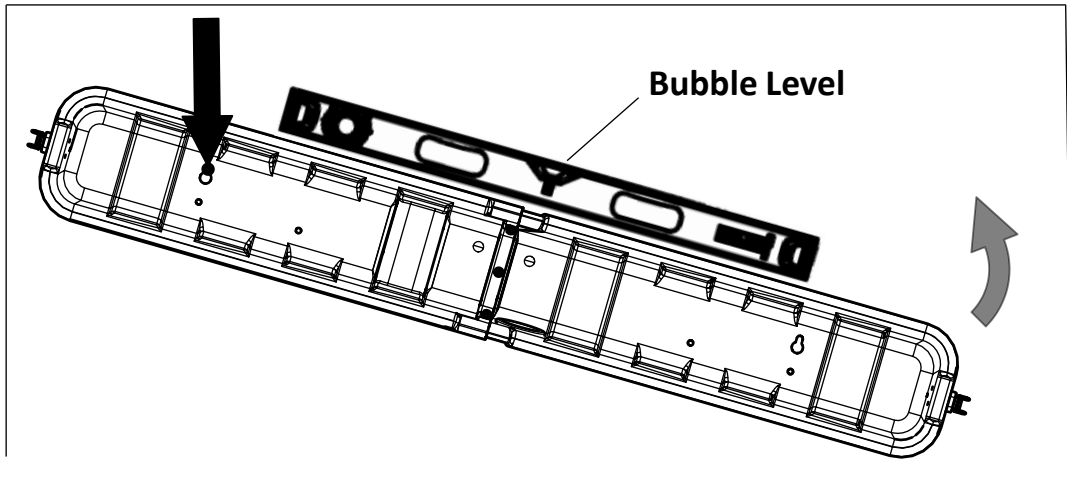
Be Aware of
Electrical Conduit,
Gas, or Water Pipes!

3B-1 Mount Storm Shell Back



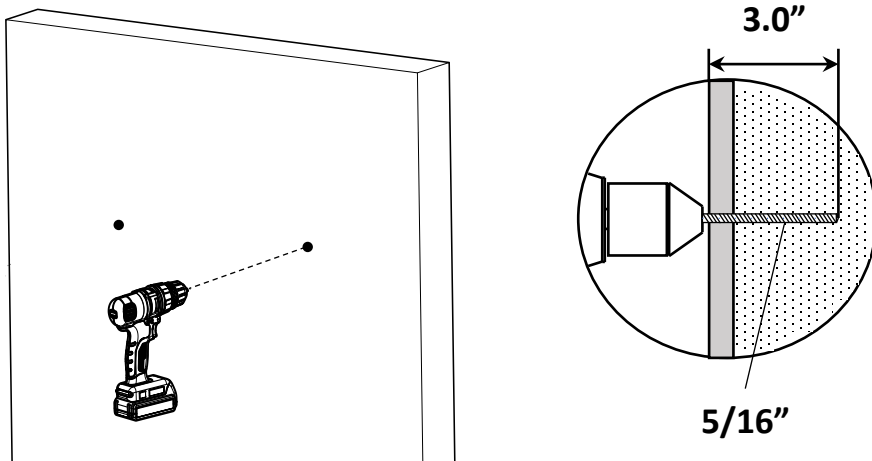
- Follow Steps 3A-3 and 3A-4 except use a hammer drill in concrete. Use 5/16" concrete drill bit 3.0" deep.
- Test the hole to ensure that the J2 Concrete Sleeve Anchor will fit snugly (note: do not tap the Concrete Sleeve Anchor into the hole yet).

3B-2 Mount Storm Shell Back



- Place a S2 screw through the left mounting keyhole and place the S2 screw into the drilled hole (the S2 screw will be loose in the hole, this is only used for leveling and making the second drill mark).
- Place a bubble level on Storm Shell Back, swing so the enclosure is level.

3B-3 Mount Storm Shell Back

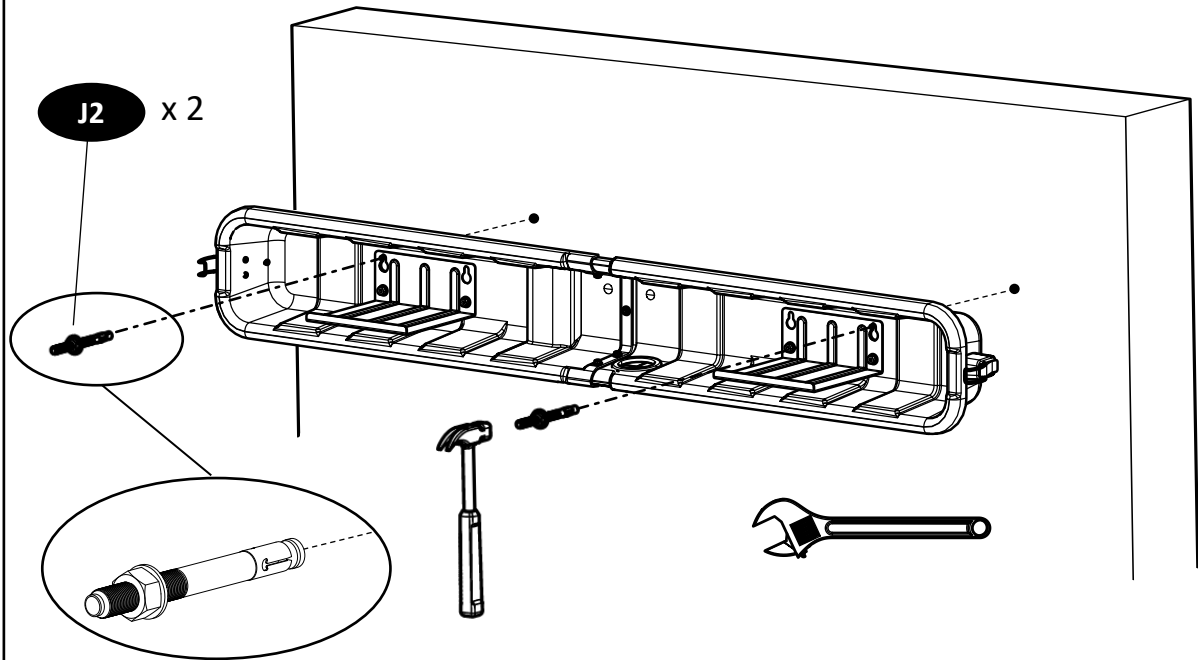


- Follow Steps 3A-7 and 3A-8 except use a hammer drill in concrete. Use a 5/16" concrete drill bit 3.0" deep.
- Test the hole to ensure that the J2 Concrete Sleeve Anchor will fit snugly (note: do not tap the Concrete Sleeve Anchor into the hole yet).

3B-4 Assemble the Soundbar Mounting Brackets

- Follow Step 3A-10

3B-5 Mount the Storm Shell Back



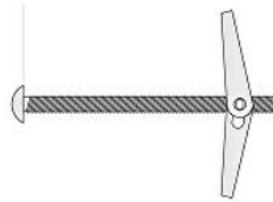
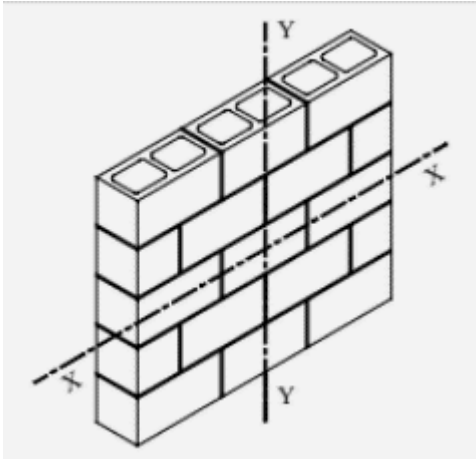
- Use a hammer to gently tap the J2 Concrete Sleeve Anchor into the Soundbar Mounting Bracket holes.
- Once the Concrete Sleeve Anchor washer is flush with the Soundbar Mounting Bracket, tighten the Concrete Sleeve Anchor nut with a crescent wrench.
- Do not overtighten the nut or the masonry around the sleeve anchor may crack.

3B-6 Install the Soundbar and the Storm Shell Cover

- Follow Step 3A-12 and 3A13

Step 3C – Hollow Wall Installation

3C-1 C90 (Cinder Block) Wall, or Masonry Wall Less Than 8" Thick



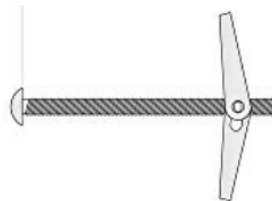
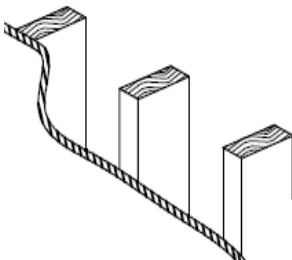
Toggle Bolt



Strap Toggle Bolt

- If the C90 wall is filled with concrete, follow Step 3B
- If the C90 wall is hollow, follow Step 3B except use two Toggle Bolts (1/4" or 5/16") in place of J2 to attach the Storm Shell Back.
- Toggle Bolts or Strap Toggles are available at hardware stores or online.

3C-2 Metal Stud Installation



Toggle Bolt



Strap Toggle Bolt

- Follow Step 3A except use two Toggle Bolts (1/4" or 5/16") in place of H2 to attach the Storm Shell Back.
- Toggle Bolts or Strap Toggles are available at hardware stores or online.