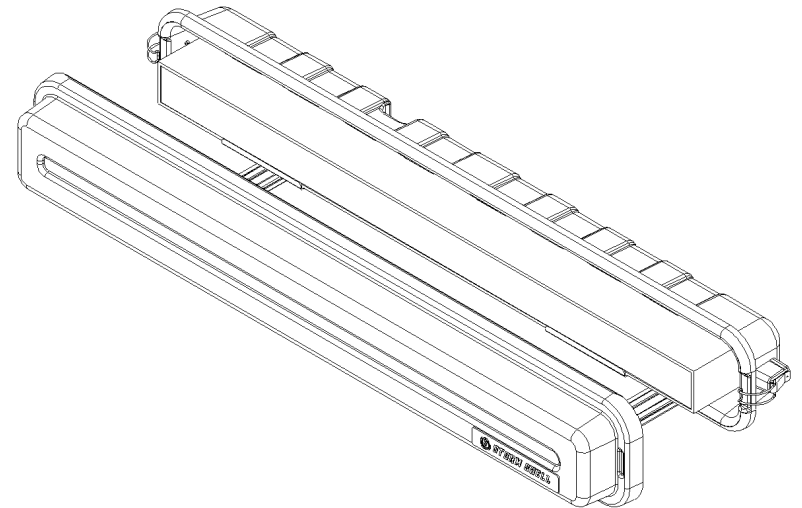
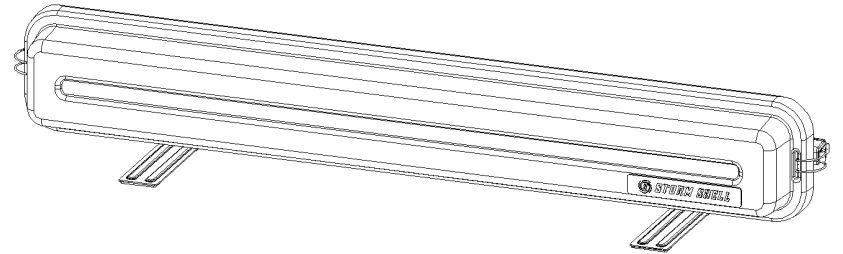


STORM SHELL

Assembly and Installation Instructions for Storm Shell Soundbar Hard Cover and Mount



Caution

- Prior to installation of this product, the installation instructions should be read and completely understood. The installation instructions must be read to prevent personal injury and property damage. Keep these installation instructions in an easily accessible location for future reference.
- This mount and hard cover contains small parts which can act as a choking hazard if swallowed.
- CAUTION: The maximum Soundbar load capacity is 20 lbs. (9 kg). Use with products exceeding the maximum load capacity may cause serious injury.
- The wall structure must be capable of supporting at least five times the maximum load capacity as indicated. If not, the wall must be reinforced.
- Recommended mounting surfaces: wood stud and solid-flat concrete/brick. If the mount is to be installed on any surface other than wood studs, solid concrete or brick, use suitable hardware (not included but commercially available).
- Do not install on a structure that is prone to vibration, movement or chance of impact. Failure to do so could result in damage to the Soundbar and/or damage to the mounting surface.
- Do not install near heater, fireplace, air conditioning or any other heat producing source. Failure to do so may result in damage to the Soundbar and/or the hard cover and could increase the risk of fire.
- Make sure no water or natural gas lines are present where the mount is to be installed. Cutting or drilling into water or natural gas lines could cause personal injury or property damage.
- Proper installation procedure by yourself or a qualified service technician, as outlined in the installation instructions, must be adhered to. Failure to do so could result in serious personal injury.
- When mounting to a wall that contains wood studs, confirm the dead center of the wood stud prior to installation, it is recommended that the wood studs be a minimum of 16" apart (if applicable).
- It is recommended that two people perform the installation. Injury and/or damage can result from dropping or mishandling the Soundbar and/or hard cover.
- If you don't understand these installation instructions, please consult an installation specialist.

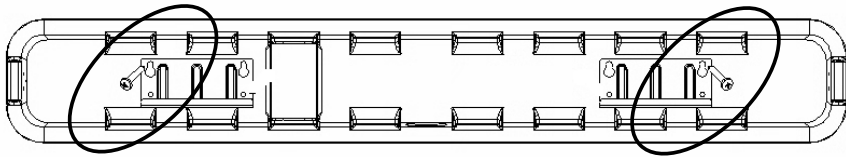


Figure 7

Install the Soundbar and Cover

1. Install the Soundbar on the Soundbar Mounting Brackets. The Soundbar is intended to rest on the brackets. The soundbar can be secured to the brackets if desired (securing hardware not included).
2. Place cords through the grommet hole. Cords coming into the soundbar can be run in the cord channel behind the Storm Shell Back.
3. Attach the Storm Shell Front and ensure a secure fit.

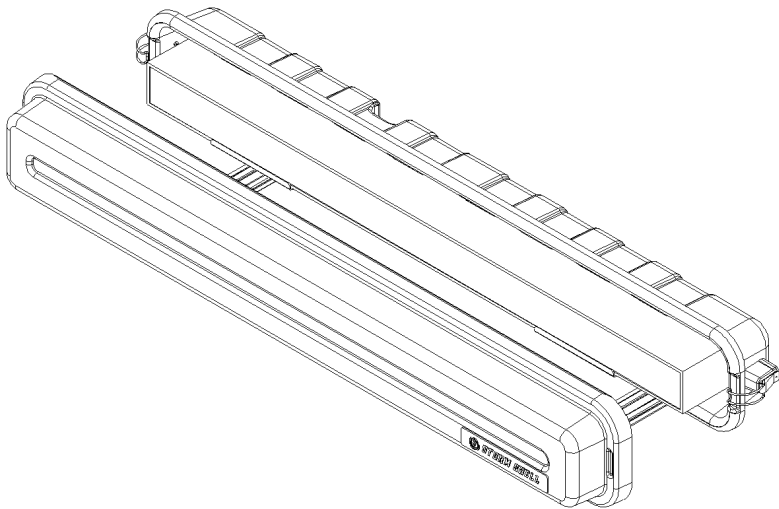


Figure 8

If you have any questions feel free to visit us at stormshelltv.com or call 435-752-6611.

Tools Required

Mounting Feet Installation

- Phillips head screw driver or power drill
- Crescent wrench

Wood, Drywall, Stucco, Siding Installation

- Electronic stud finder
- Phillips head screw driver or power drill
- Bubble Level
- 13 mm socket and wrench
- Power drill, 5/32" (or 4mm) and 1/4" drill bit for wood stud installation.

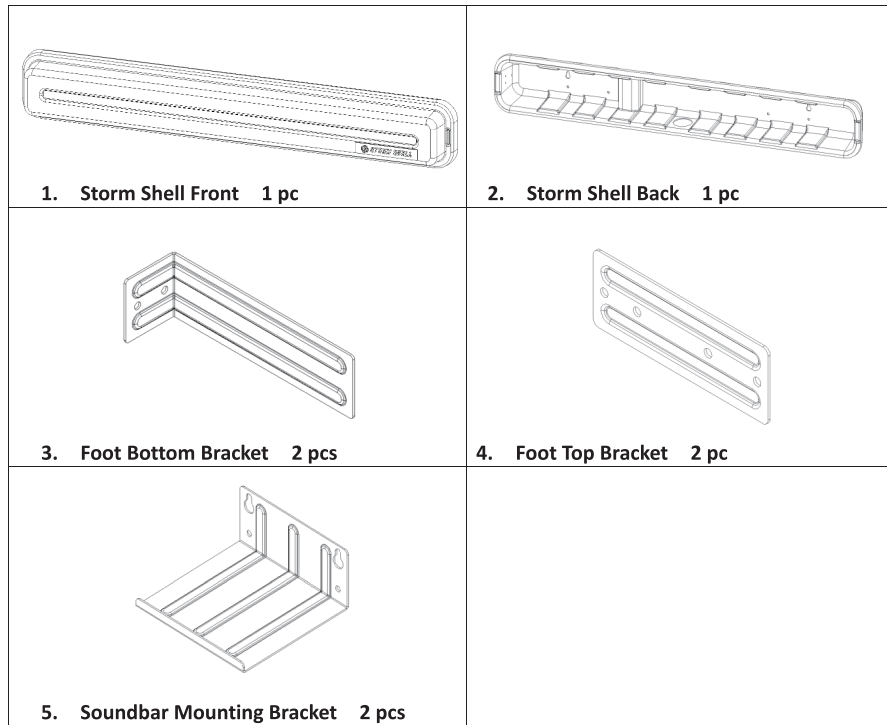
Concrete, Brick, Masonry Installation

- Phillips head screw driver or electric drill
- Bubble Level
- Crescent wrench
- 10 mm socket and wrench
- Power Hammer drill, 5/32" (or 4mm) and 5/16" (or 8mm) concrete drill bit

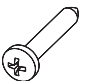
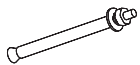
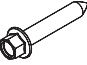

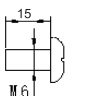

Mounting Options and Configuration

The Storm Shell Soundbar Hard Cover and Mount can be configured with optional feet for use on a flat surface, or it can be mounted to a wall.

Storm Shell Soundbar Hard Cover and Mounting Parts



Fasteners :

No.	Name	QTY	Picture	No.	Name	QTY	Picture
S1	ST3.5X20 Self Tapping Screw	6		S4	Concrete Sleeve Anchor	2	
S2	ST6X30 Self Tapping Screw	4		B1	Buckle Latch	2	
S3	M6X15 Screw	10		N1	M6 Nut	10	

5. Place the Stormshell Back on the wall using the mounted S2 screws through the keyholes. Tighten the S2 screws to firmly fix the Storm Shell Back to the wall.

B) Concrete, Brick, or Masonry Installation

6. Determine the desired height location for the Storm Shell Soundbar Hard Cover. Place a mark on the wall in the position of the top right mounting keyhole of the Storm Shell Back. Drill a hole into the wall at this location using a hammer drill with 5/16" (or 8mm) concrete drill bit 2.75 inches deep. Test the hole to ensure that the S4 Concrete Sleeve Anchor will fit snugly (note: do not tap the Concrete Sleeve Anchor into the hole yet). Place a S2 screw through the top right mounting keyhole of the Storm Shell Back, lift the Storm Shell Back to the wall, and place the S2 screw into the drilled hole (the S2 screw will be loose in the hole, this is only used for leveling and making the second drill mark).

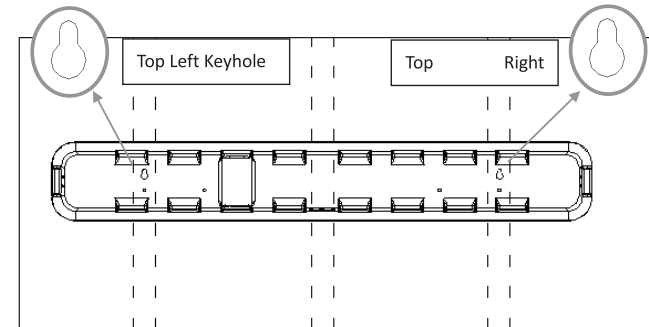


Figure 6

7. Place a bubble level on top of the Storm Shell Back and rotate until the Storm Shell Back is level. Place a mark on the wall through the top left keyhole. Make sure to mark the top left key hole at the center of the top (where the screw will rest). Remove the Storm Shell Back from the wall and check to ensure that the mark for the top left keyhole is level with the hole already drilled for the top right keyhole. Repeat the procedure in Step 6 to drill a hole for the S4 Sleeve Anchor for the top left keyhole.

8. Follow Step 4 to attach the Soundbar Mounting Brackets to the Storm Shell Back.

9. Lift the Storm Shell Back to the wall and place the keyholes of the Soundbar Mounting Bracket over the drilled holes in the wall. Use a hammer to gently tap the Concrete Sleeve Anchor (S4) into the Soundbar Mounting Bracket holes with the nut and washer facing out. Once the Concrete Sleeve Anchor washer is flush with the Soundbar Mounting Bracket, tighten the Concrete Sleeve Anchor nut with a crescent wrench. Do not overtighten the nut or the masonry around the sleeve anchor may crack. See Figure 7.

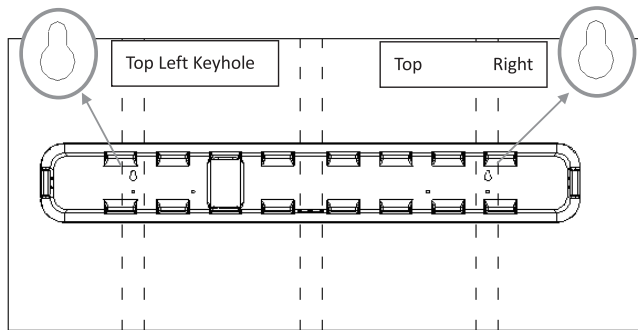


Figure 4

4. Remove the Storm Shell Back from the wall. Attach the Soundbar Mounting Bracket to the Storm Shell Back by aligning the four holes in the Soundbar Mounting Bracket and the four holes in the Storm Shell Back. Place two (2) S3 screws from the backside of the Storm Shell Back through the lower left and lower right holes. Fasten each screw with a N2 nut. Repeat for 2nd bracket. See Figure 5.

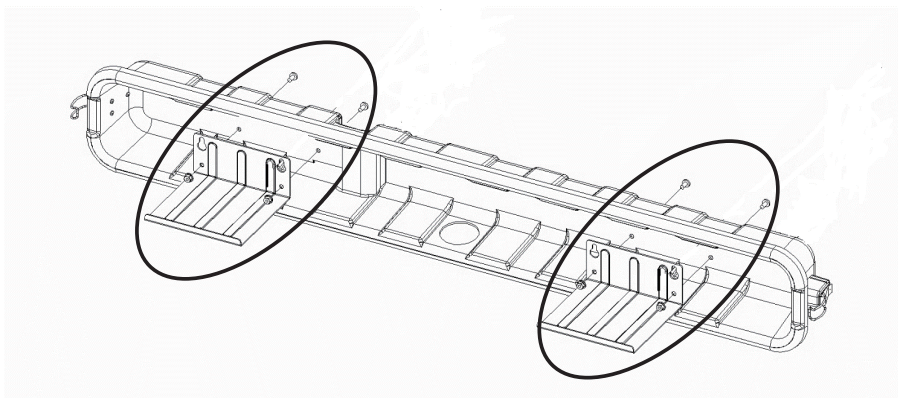


Figure 5

Storm Shell Soundbar Hard Cover Assembly and Installation

Video

Scan the QR code to be directed to a library of assembly and installation videos:



Prepare the Storm Shell Back

- Assemble the two buckle latches (B1) onto the Storm Shell Back using the S1 screws (Figure 1).

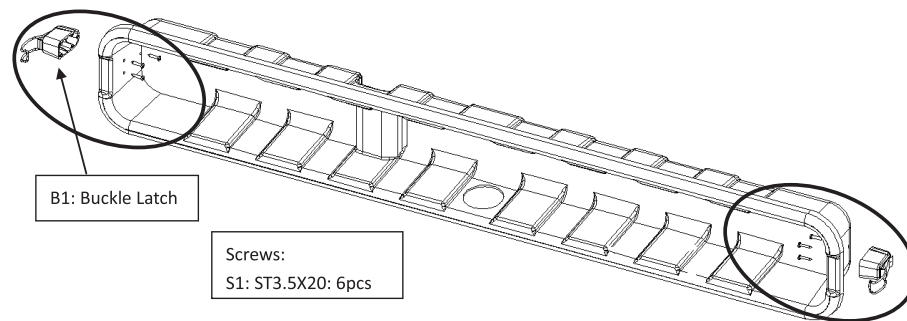


Figure 1

Assembly for Horizontal Flat Surface Mounting with Feet

For wall installation instructions, skip to the next section.

1. Connect the Foot Bottom Bracket and Foot Top Bracket using two (2) S3 screws and two (2) N2 nuts. Repeat for 2nd bracket. See Figure 2.
2. Attach the Soundbar Mounting Bracket to the Storm Shell Back by aligning the four holes in the Soundbar Mounting Bracket and the four holes in the Storm Shell Back. Place one (1) S3 screw from the backside of the Storm Shell Back through the lower left hole. Fasten with a N2 nut. Repeat for 2nd bracket. See Figure 2.
3. Attach the Foot Top Bracket to the Storm Shell Back using two (2) S3 screws. The S3 screws are placed from the backside of the Storm Shell Back and will pass through the Storm Shell Back and Soundbar Mounting Bracket holes. Fasten the S3 screws with two (2) N2 nuts. Repeat for 2nd bracket. See Figure 2.

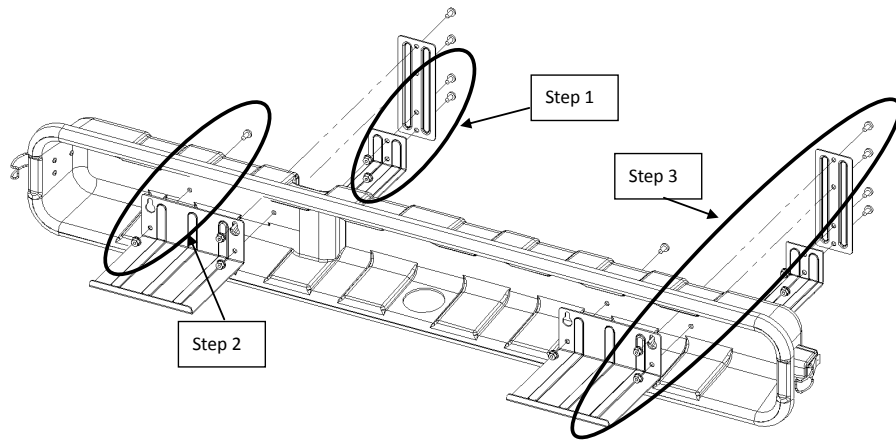


Figure 2

Install the Storm Shell Back onto the Wall

Two people are needed for this installation.

A) Wood Stud Installation (Wood, Drywall, Stucco, Siding)

For Concrete, Brick, or Masonry Installation, skip to Step 6.

1. Use a high quality electronic stud finder (commercially available) to locate dead center of three adjacent wood studs spaced 16" apart. Mark the location of each stud (Figure 3).

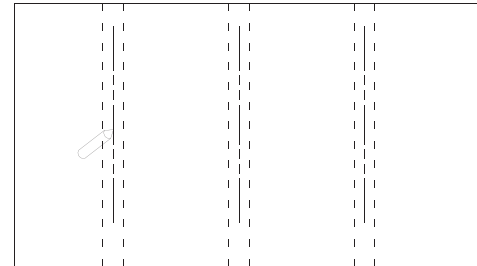


Figure 3

2. Determine the desired height location for the Storm Shell Soundbar Hard Cover. Mark this height on the center of the mounting stud positioned furthest to the right. From this mark, measure 1 inch directly below it on the center of the mounting stud and place a "drill" mark. Drill a hole into the stud at this location using a 5/32" (or 4mm) drill bit 1.5 inches deep. Screw one of the S2 screws into this location, leaving the head about 1/8" away from the wall (note: the S2 screw requires a 10mm socket). This mounting screw will be placed in the top right keyhole of the Storm Shell Back – see Figure 4.

3. Lift the Storm Shell Back to the wall and position the S2 screw head (Step 2) into the top right keyhole (Figure 4). Place a bubble level on top of the Storm Shell Back and rotate until the Storm Shell Back is level. Place a mark on the wall through the top left keyhole. Make sure to mark the top left key hole at the center of the top (where the screw will rest). Remove the Storm Shell Back from the wall and check to ensure that the mark for the top left keyhole is centered on a stud. Repeat the procedure in Step 2 to drill and screw an S2 screw for the top left keyhole. Mount the Storm Shell Back on the wall using the mounted screws and the top left and right keyholes. Check that the Storm Shell Back is level using the bubble level.