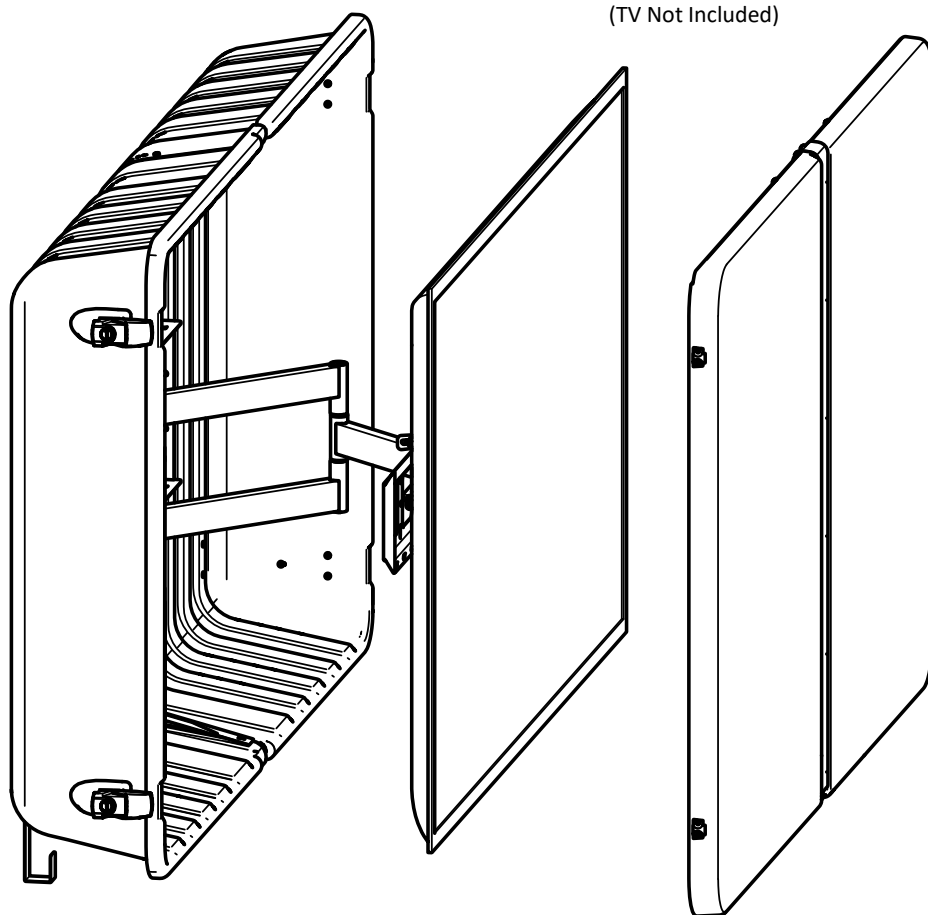




## ASSEMBLY & INSTALLATION INSTRUCTIONS

SS-55 DLX - 55 Inch Storm Shell TV Hard Cover & Wall Mount

v 1.0



If you have any questions, please contact us at [cs@stormshelltv.com](mailto:cs@stormshelltv.com), or call (435) 752-6611  
Mon – Fri 9am – 5pm (MT)



# STOP

Please do not return to store.

## WE CAN HELP

Email: [cs@stormshelltv.com](mailto:cs@stormshelltv.com)

Call: (435) 752-6611 M–F 9am – 5pm (MT)

For Customer Service



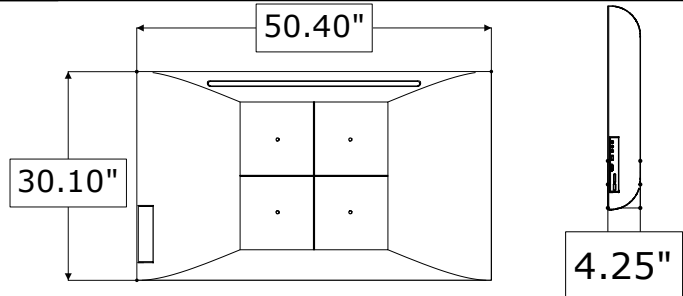
- If you need any assistance with your new item, please call us or you can email us your inquiries. We will be happy to assist and walk you through your assembly process.
- If you are missing any parts, we will ship them to you free of charge.
- Work in a spacious area near where the item will be used.
- Check your item list to make sure all your parts and hardware are included before you begin the assembly process.
- It is important to follow each step as instructed to avoid any unwanted obstacles.

# Before getting started, let's make sure this Storm Shell will work for you!

## TV SIZE & VESA PATTERN

Maximum TV dimensions  
(including frame bezel):

50.40 in x 30.10 in x 4.25 in

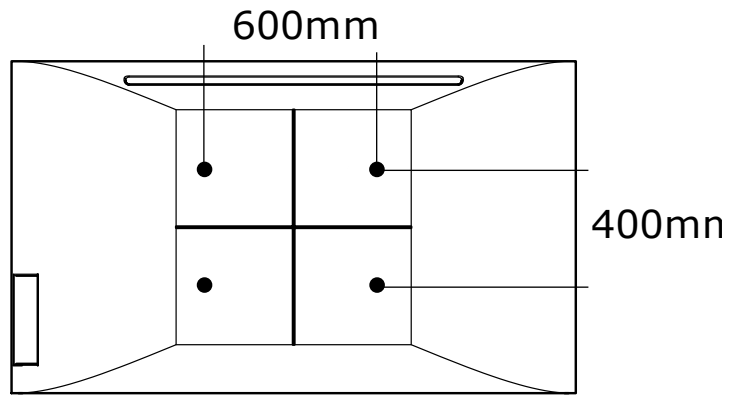


VESA Pattern:

Width: 600 mm (23.62 in)  
max

Height: 400 mm (15.75 in)  
max

Will fit 100 mm, 200 mm,  
300 mm, 400 mm and 600  
mm VESA patterns.



## Weight Capacity

Maximum TV Weight  
(including accessories):



CAUTION!

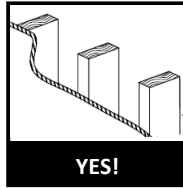
100 LBS MAX

# Before getting started, let's make sure this Storm Shell will work for you!

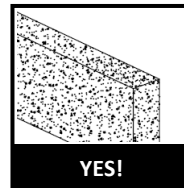
## Wall Material

Hardware is included for:

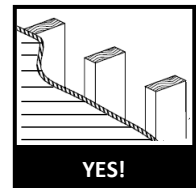
- Drywall over Wood Studs
- Solid Concrete, structural brick, or masonry (minimum 8 inch thick)
- Outdoor Siding (aluminum, vinyl, stucco, brick veneer, etc.) installed over Wood Studs.



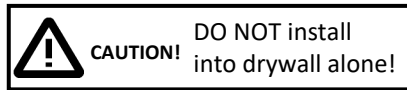
Drywall over wood studs?



Solid concrete?

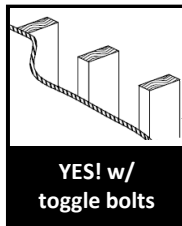


Outdoor siding over wood studs?

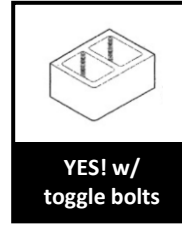


Not all hardware is included for:

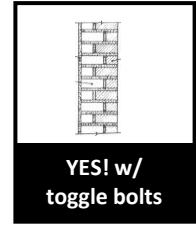
- Drywall over Metal Studs
- C 90 Hollow Concrete Block
- Structural brick or masonry (less than 8 inch thick)



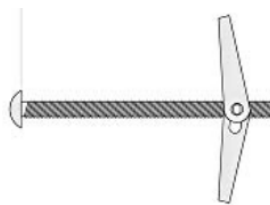
Drywall over metal studs?



C90 Hollow Concrete block?



Structural Brick or Masonry?



Toggle Bolts are available at your local hardware store or online source.

**Good News!** The Storm Shell can be installed on these materials using toggle bolts (not included) to secure the TV Bracket to the wall. See installation instructions for size details.

# Installation Tools (Not Included)

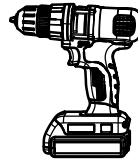
## All Installations



Tape Measure



Pen/Pencil



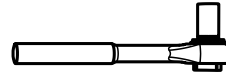
Power Drill



Phillips  
Screwdriver



Bubble Level



Socket Wrench

## Wood Stud Installation



Stud Finder

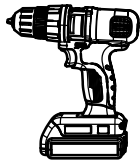


5/32" (4mm) and 1/4"  
(7mm) Wood Drill Bit

## Solid Concrete, Brick, Masonry Installation



Crescent Wrench



Hammer Drill



Hammer



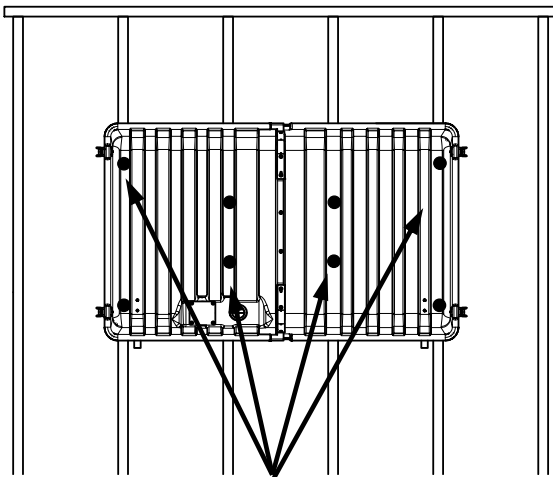
5/32" (4mm) and 5/16" (8mm)  
Masonry Drill Bit

## Safety Caution

- Prior to installation of this product, the installation instructions should be read and completely understood to prevent personal injury and property damage. Keep these installation instructions in an easily accessible location for future reference.
- This mount and hard cover contains small parts which can act as a choking hazard if swallowed.
- CAUTION: The maximum TV load capacity is 100 lbs. (45 kg). Use with products exceeding the maximum load capacity may cause serious injury.
- The wall structure must be capable of supporting at least five times the maximum load capacity as indicated. If not, the wall must be reinforced.
- Do not mount on drywall or plywood alone.
- Do not install on a structure that is prone to vibration, movement or chance of impact. Failure to do so could result in damage to the display and/or damage to the mounting surface.
- Do not install near heater, fireplace, air conditioning or any other heat producing source. Failure to do so may result in damage to the display and/or the hard cover and could increase the risk of fire.
- Make sure no water or natural gas lines are present where the mount is to be installed. Cutting or drilling into water or natural gas lines could cause personal injury or property damage.
- Proper installation procedure by yourself or a qualified service technician, as outlined in the installation instructions, must be adhered to. Failure to do so could result in serious personal injury.
- When mounting to a wall that contains wood studs, confirm the dead center of the wood stud prior to installation, it is recommended that the wood studs be a minimum of 16" apart.
- It is recommended that two people perform the installation. Injury and/or damage can result from dropping or mishandling the display or hard cover.
- If you don't understand these installation instructions, please consult an installation specialist.

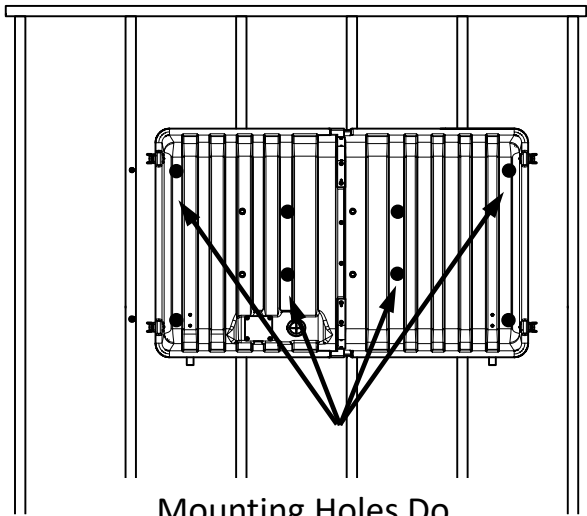
## Do you need an Adapter Mounting Plate? (Not Included)

- **Concrete wall or hollow wall (not drywall) installation? – No**
- **Wood Stud installation with stud spacing different than 16 inch? – Yes**
- **Wood Stud installation with stud spacing = 16 inch? – Maybe...**
  - **The mounting holes must be placed over studs. If the Storm Shell placement is OK, then No Adapter Mounting Plate is required.**
  - **If you desire a different placement of the Storm Shell (left or right of the studs), an Adapter Mounting Plate is required.**



Mounting Holes Align  
with Studs

**No Adapter Mounting Plate  
required.**



Mounting Holes Do  
Not Align with Studs

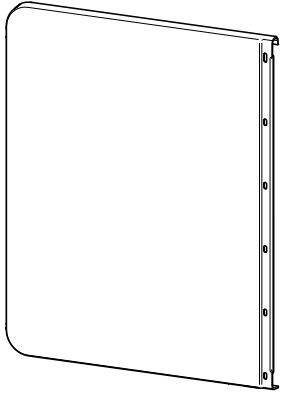
**Yes - Adapter Mounting  
Plate is required.**

To order the Adapter Mounting Plate, please visit  
[www.StormshellTV.com/collections/accessories](http://www.StormshellTV.com/collections/accessories)

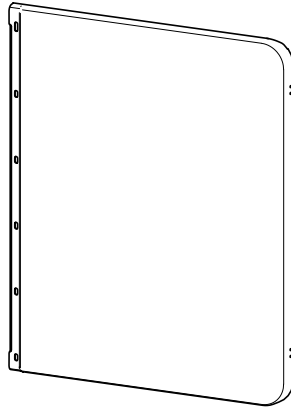


# Supplied Parts & Hardware

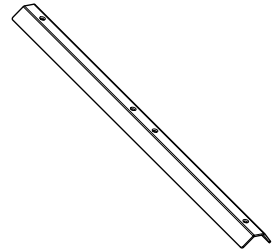
## Storm Shell



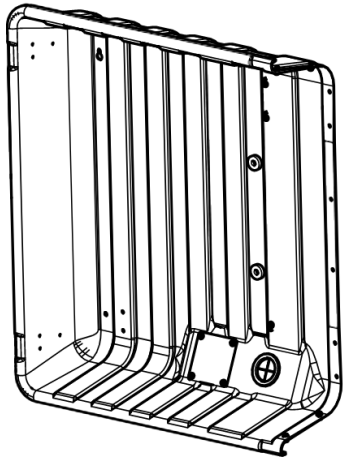
**Storm Shell Front –  
left part (1 PC)**



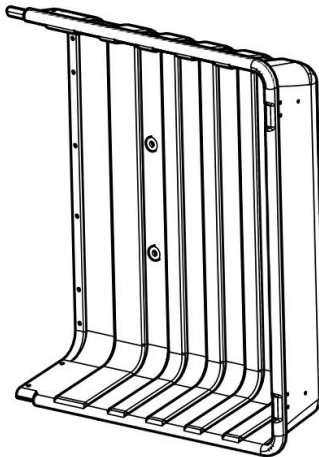
**Storm Shell Front –  
right part (1 PC)**



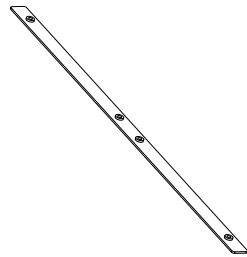
**Top Connecting  
Bar (1 PC)**



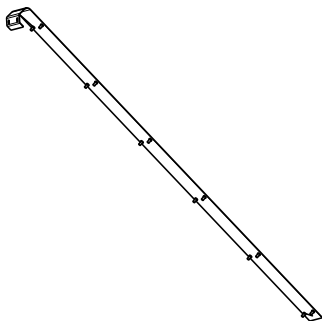
**Storm Shell Back –  
left part (1 PC)**



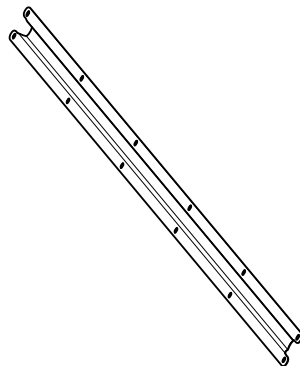
**Storm Shell Back –  
right part (1 PC)**



**Bottom Connecting  
Bar (1 PC)**



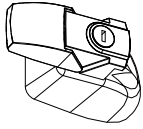
**Middle Connecting  
Plate (1 PC)**



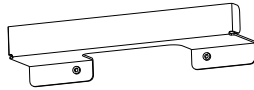
**Support Bar (1 PC)**

# Supplied Parts & Hardware

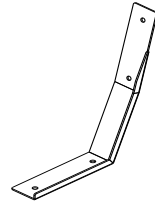
## Storm Shell, continued



**Locking Latch with Keys (4 PC)**



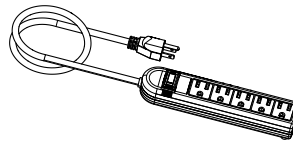
**Power Strip Holder (1 PC)**



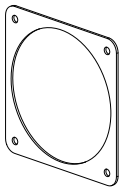
**Angle Brackets (2 PC)**



**Cover Hook (2 PC)**



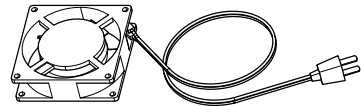
**Power Strip (1 PC)**



**Fan Plate (1 PC)**

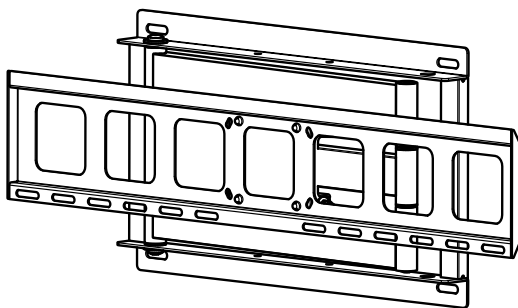


**Fan Grille (2 PC)**



**Circulation Fan (1 PC)**

## TV Bracket



**TV Bracket (1 PC)**



**Vertical Bracket (2 PC)**

# Supplied Parts & Hardware

## Pack #1- Storm Shell Assembly Hardware



M4x14mm  
**A5** (10 PC)



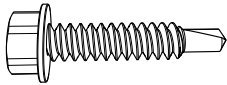
M4 Flange Nut  
**B5** (26 PC)



ST 3.5x20mm  
**C5** (12 PC)



M4x8mm  
**D5** (14 PC)



ST 6x30mm  
**E5** (4 PC)



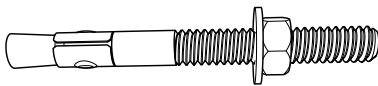
D6 Washer  
**F5** (2 PC)



ST 8x60mm  
**G5** (4 PC)



D8 Washer  
**H5** (4 PC)



Concrete  
Sleeve Anchor  
**I5** (4 PC)



ST 8x90mm  
**J5** (4 PC)



M4x40mm  
**N5** (4 PC)



CAUTION!

**CHOKING  
HAZARD**

## Supplied Parts & Hardware - continued

### Pack #2- Mounting Bracket Hardware



M4x12mm  
**V1** (4 PC)



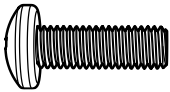
M4x30mm  
**V2** (4 PC)



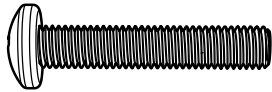
M6x12mm  
**V3** (8 PC)



M6x30mm  
**V4** (4 PC)



M8x25mm  
**V5** (4 PC)



M8x45mm  
**V6** (4 PC)



D4 Washer  
**V7** (4 PC)



D6 Washer  
**V8** (4 PC)



5mm Spacer  
**V9** (4 PC)



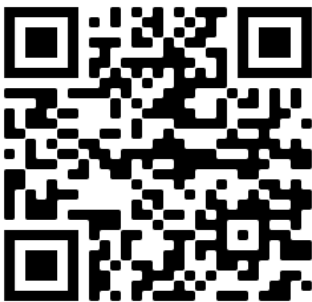
10mm Spacer  
**V10** (4 PC)



**CAUTION!**

**CHOKING HAZARD**

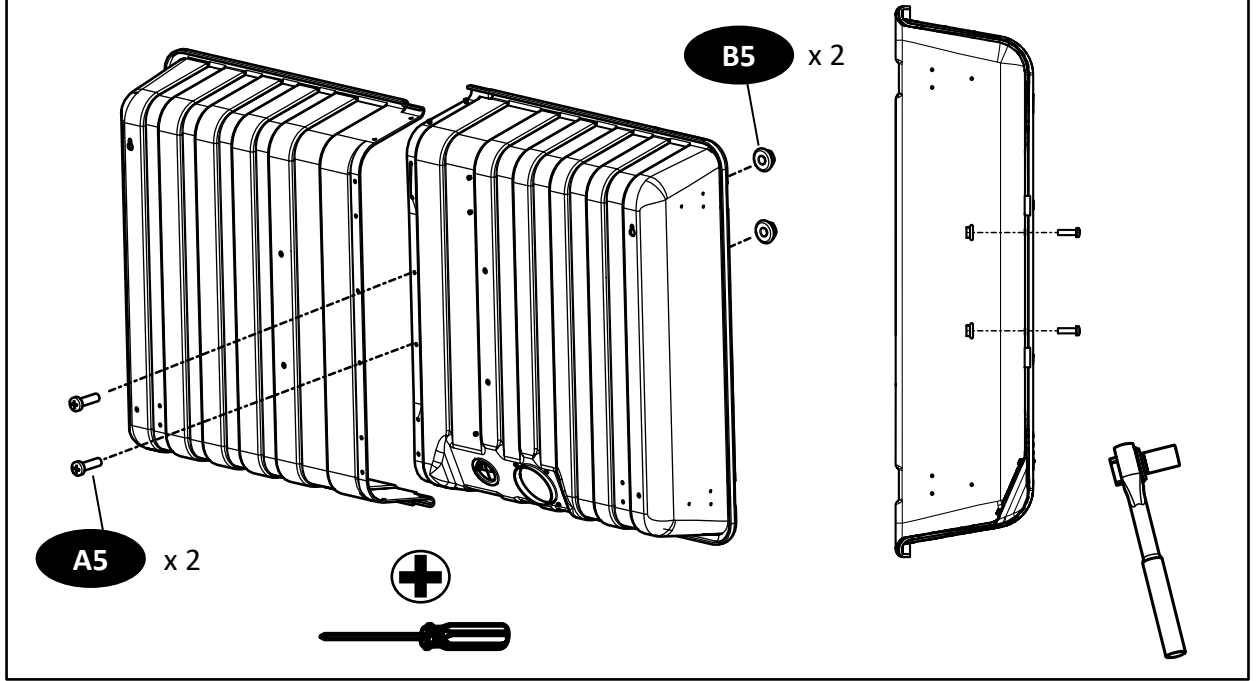
## Assembly & Installation Video



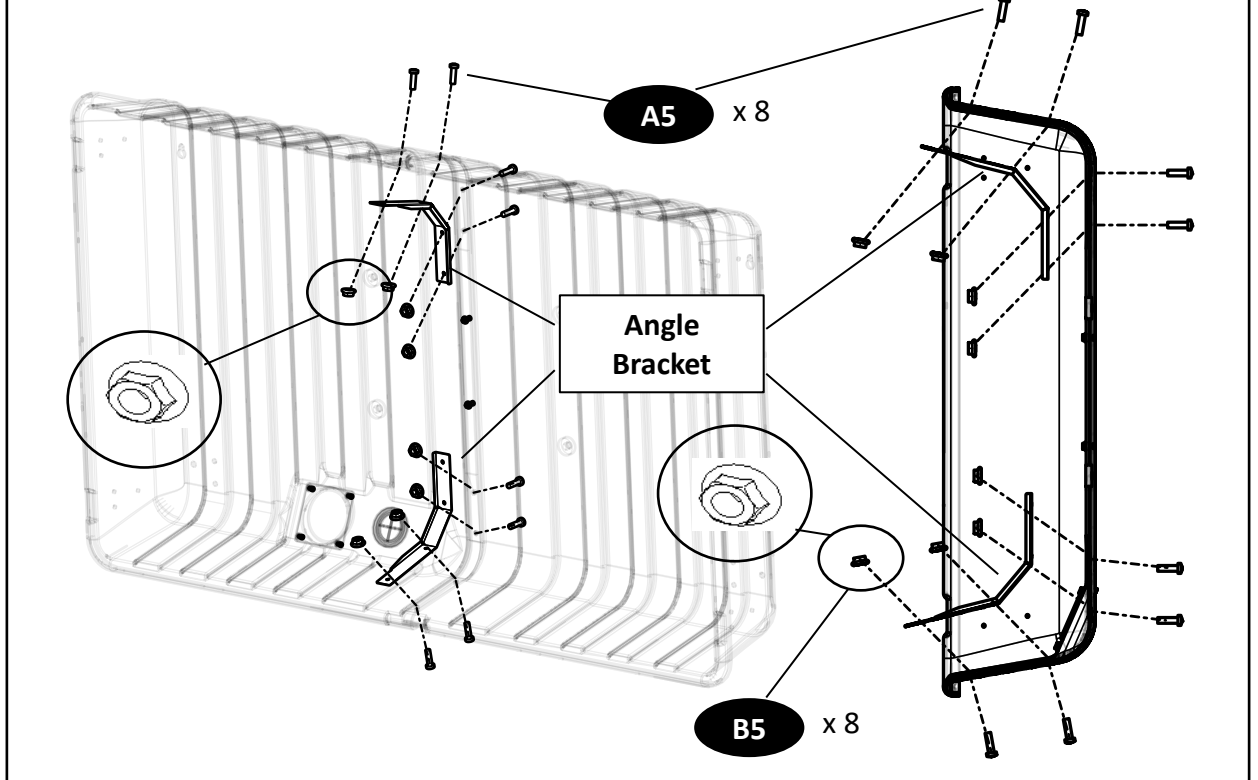
Scan the QR Code for video link

# Step 1 – Prepare the Storm Shell

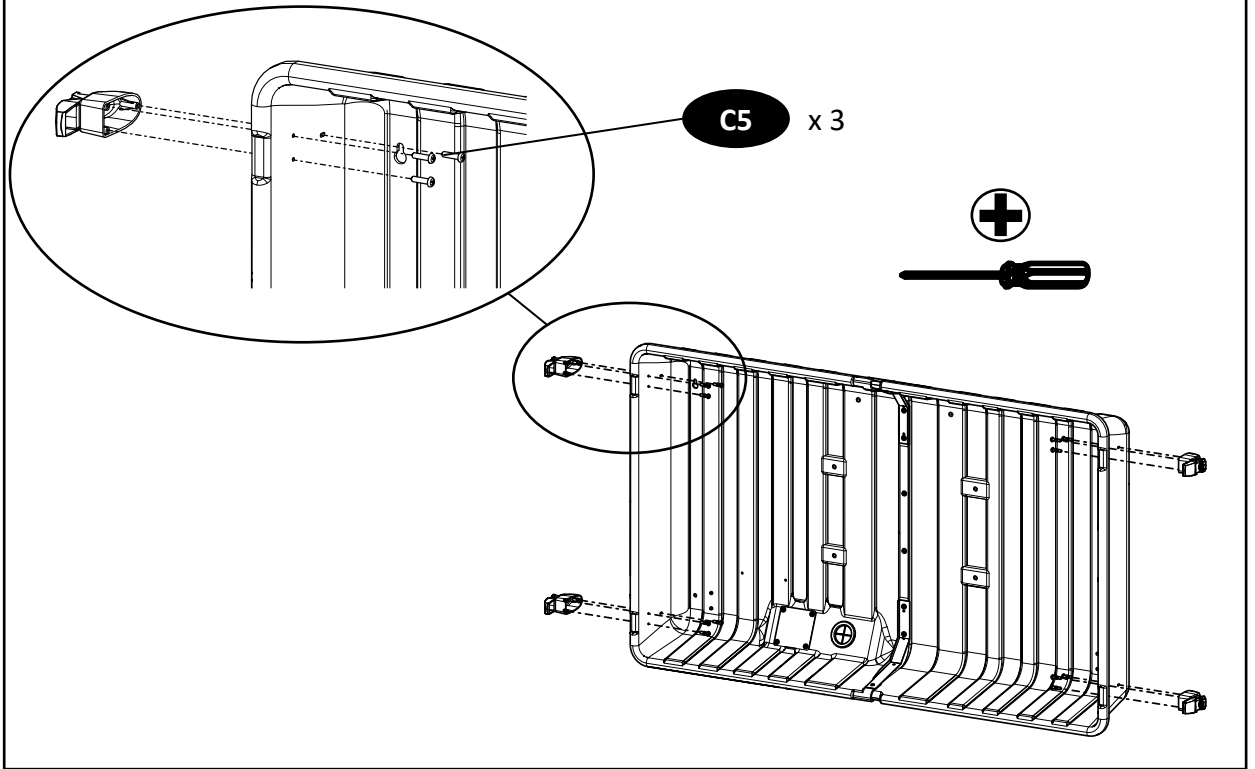
## 1-1 Assemble Storm Shell Back



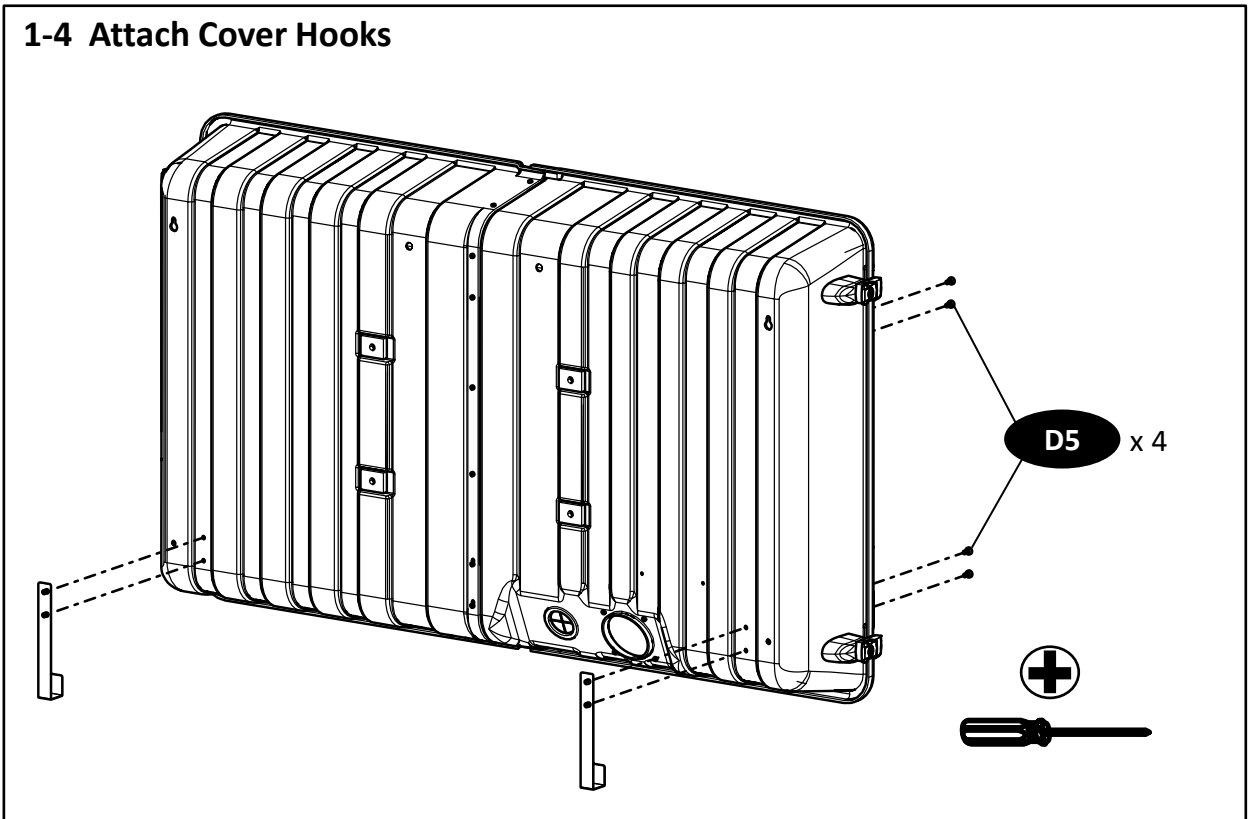
## 1-2 Assemble Storm Shell Back



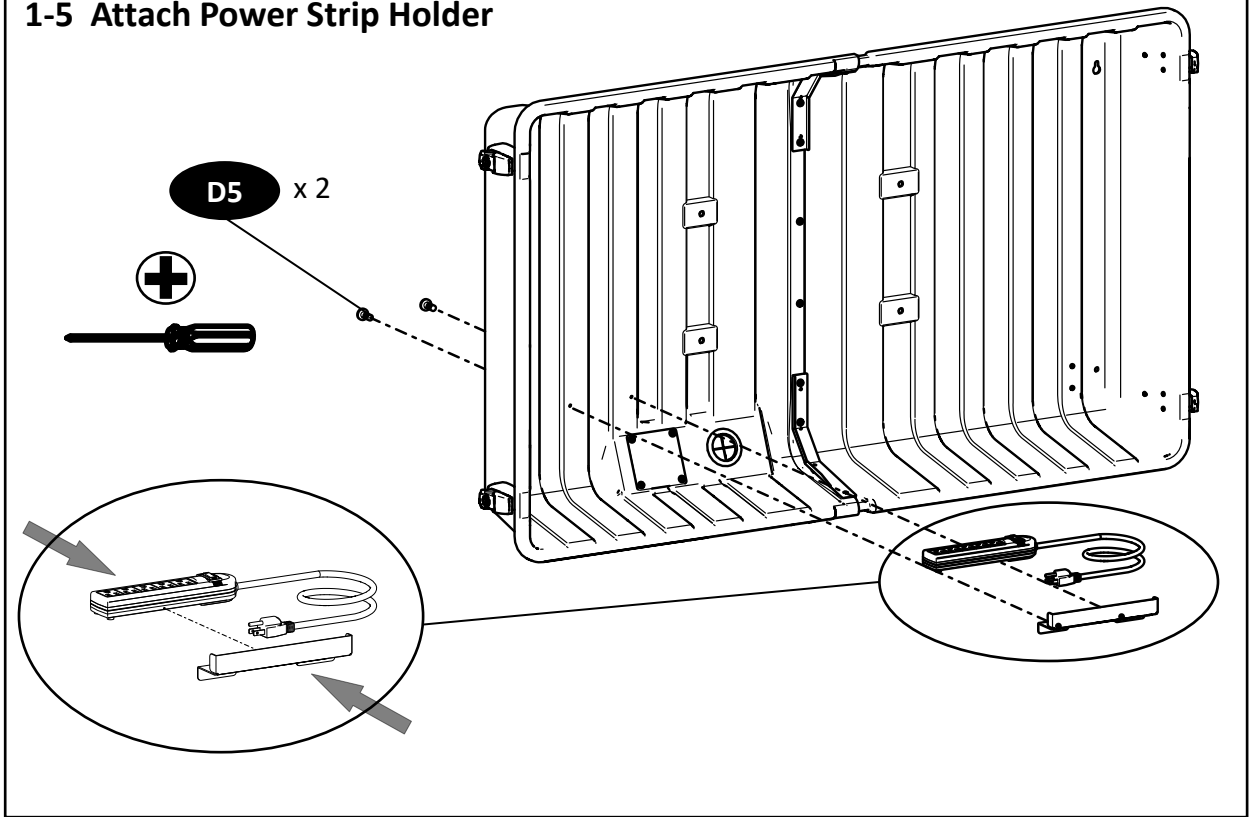
### 1-3 Attach Latches



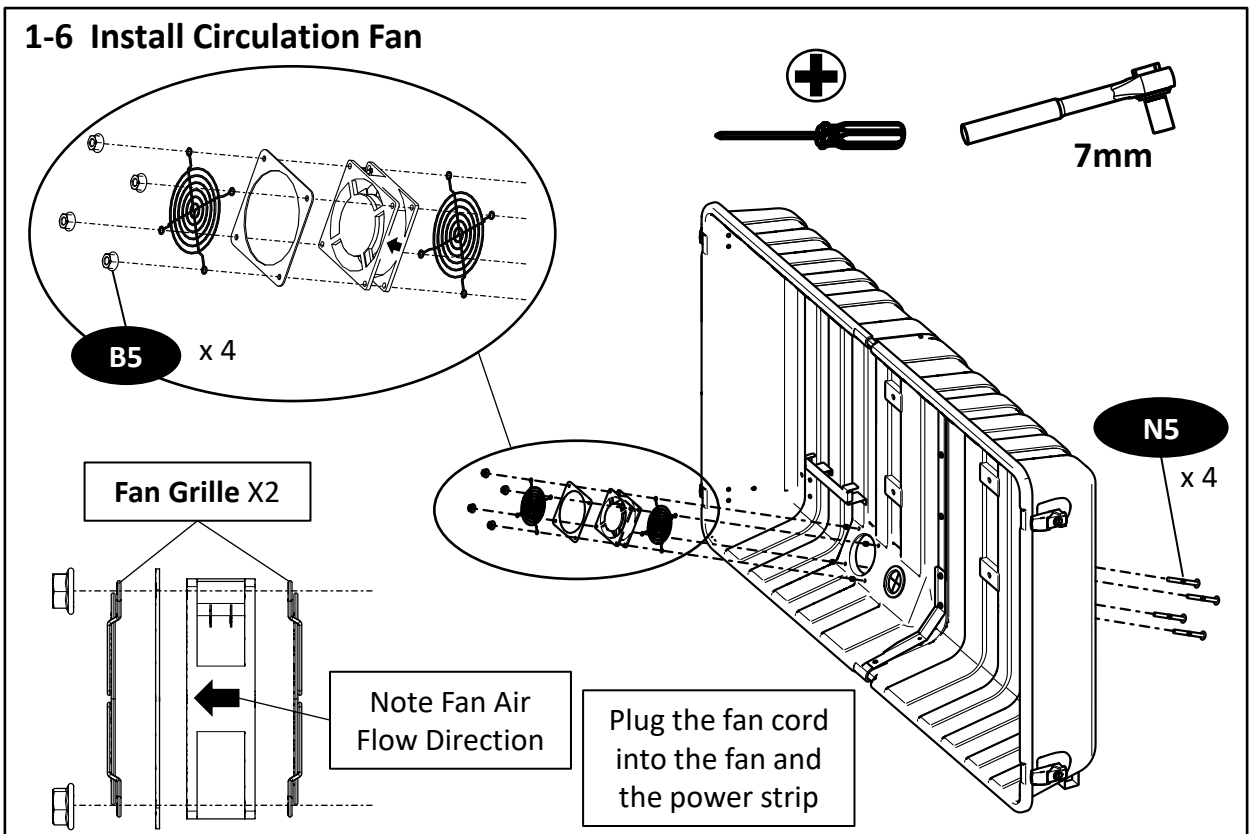
### 1-4 Attach Cover Hooks



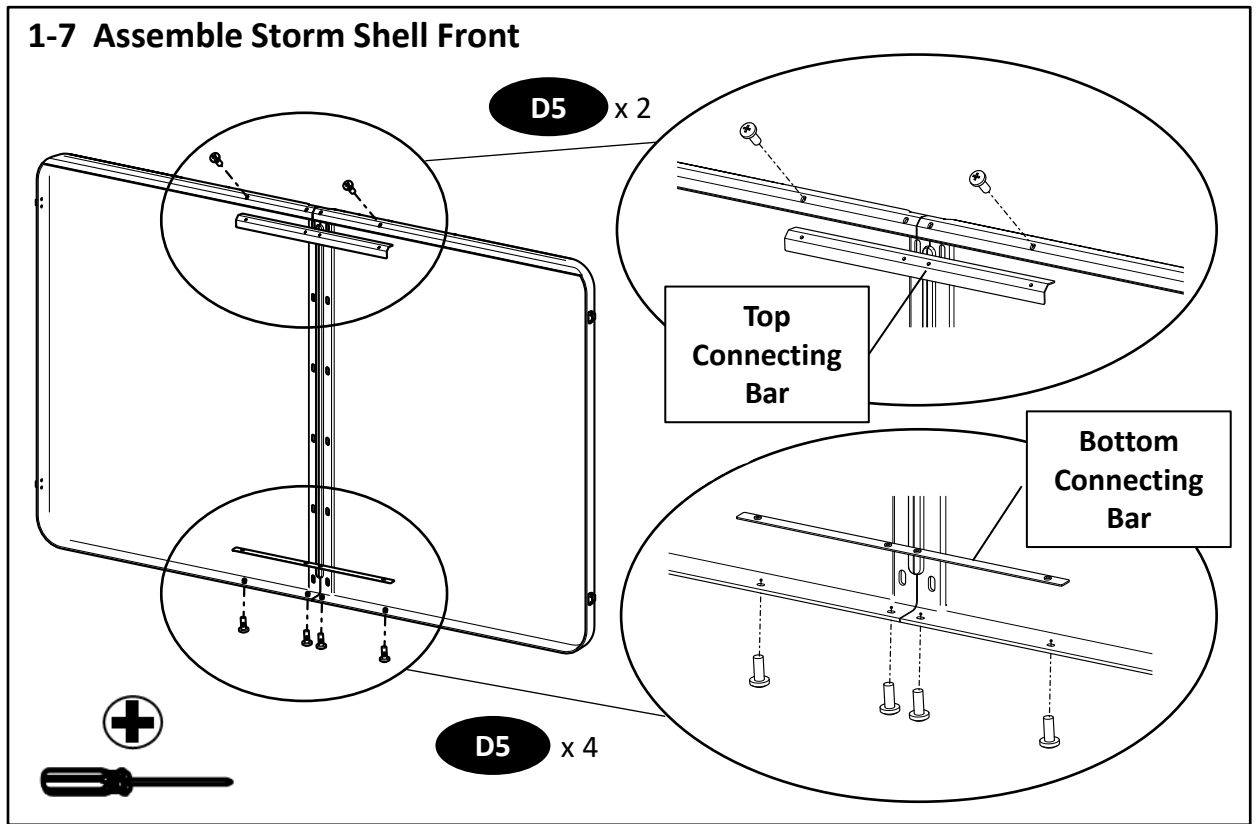
### 1-5 Attach Power Strip Holder



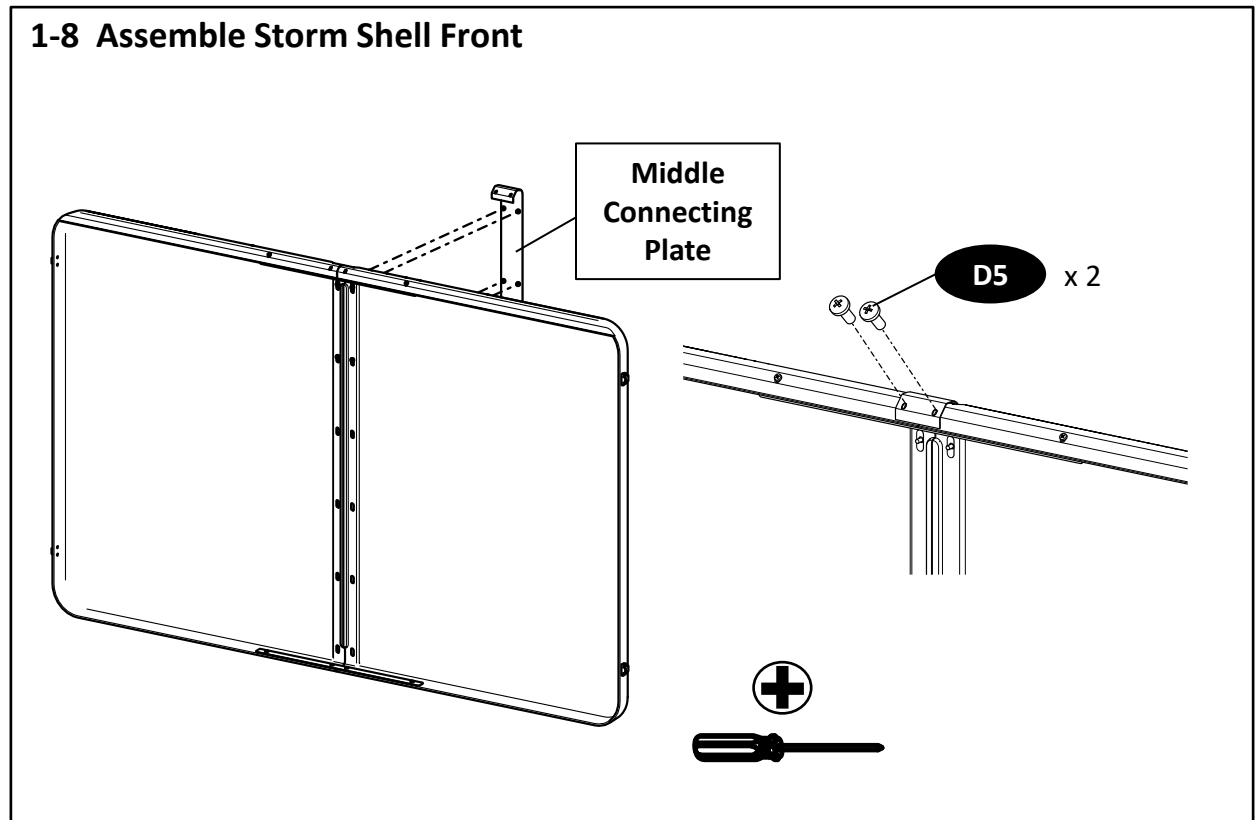
### 1-6 Install Circulation Fan



### 1-7 Assemble Storm Shell Front

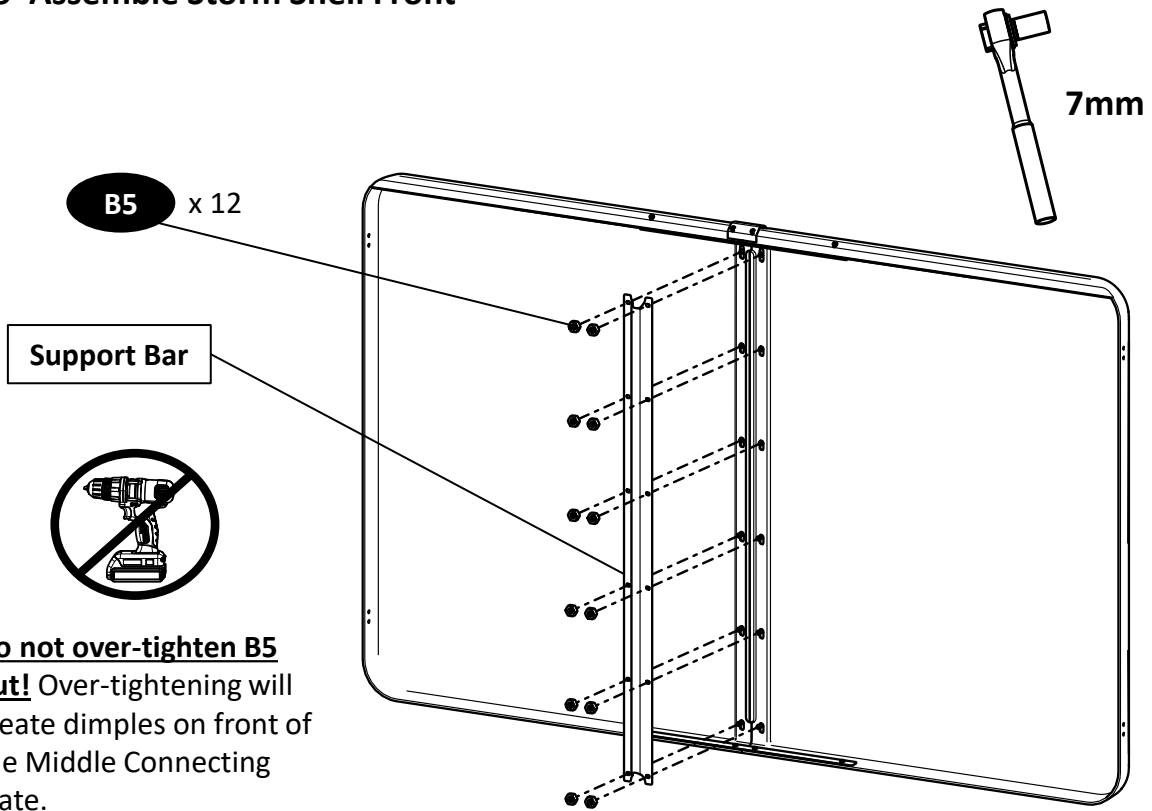


### 1-8 Assemble Storm Shell Front





## 1-9 Assemble Storm Shell Front



## Step 2 – Attach Storm Shell Back to Wall



CAUTION!

Two people required for installation

Determine the wall material and wall supports. Wall supports are typically wood or metal studs, concrete, structural brick or masonry. Wall material (cladding) is typically drywall, siding (vinyl or aluminum), stucco, brick veneer.



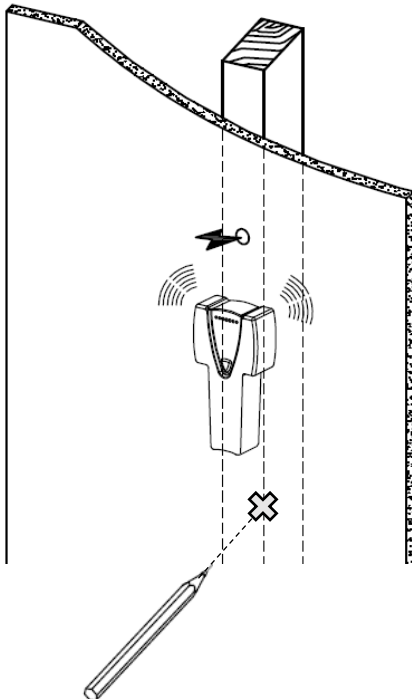
CAUTION!

The Storm Shell TV Wall Mount must be secured into concrete, structural brick or masonry, wood or metal studs. Do not mount directly into drywall or plywood.

- For wood stud installation, follow STEP 2A
- For solid concrete installation, follow STEP 2B
- For hollow wall installation (metal studs, concrete block), follow STEP 2C

### Step 2A – Wood Stud Installation

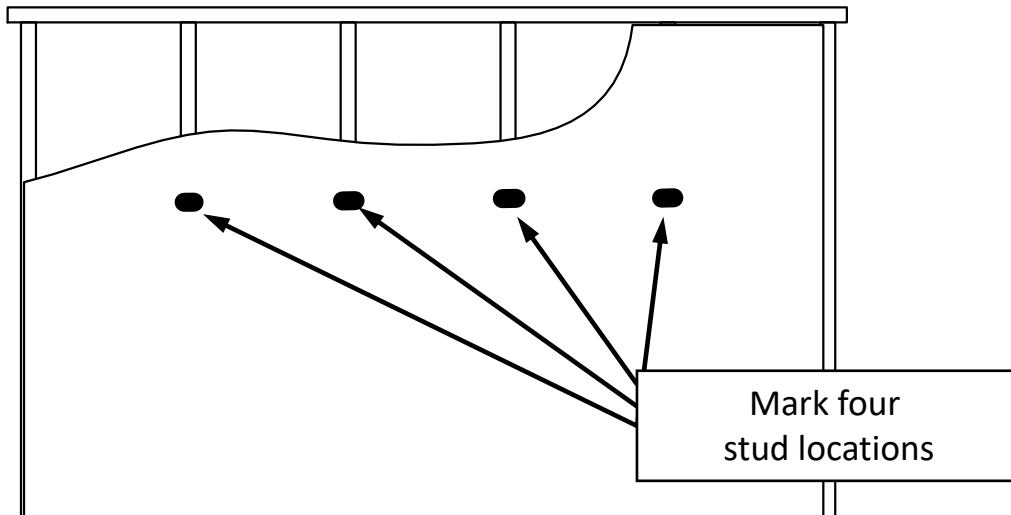
#### 2A-1 Locate and Mark Wood Studs



NOTE!

If the wall material is outdoor siding (vinyl or aluminum), stucco, or brick veneer; the wood studs may be difficult to locate with a stud finder due to several layers of construction cladding. You may need to locate the wood stud from the inside wall and use measurements to locate the wood stud on the outdoor wall.

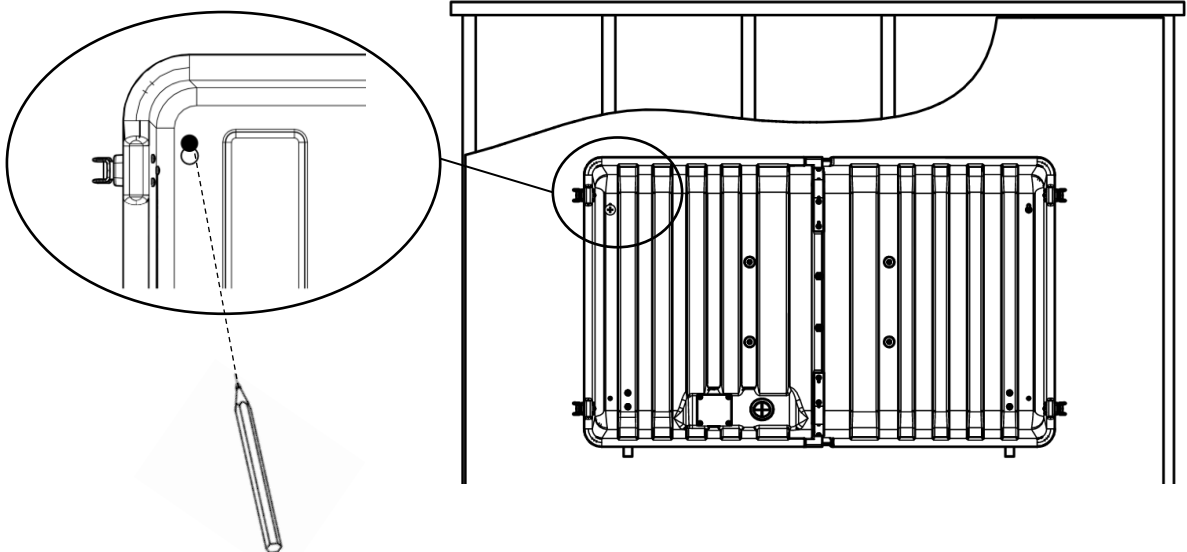
## 2A-2 Locate and mark four studs (16" center) to mount the Storm Shell Back



Note!

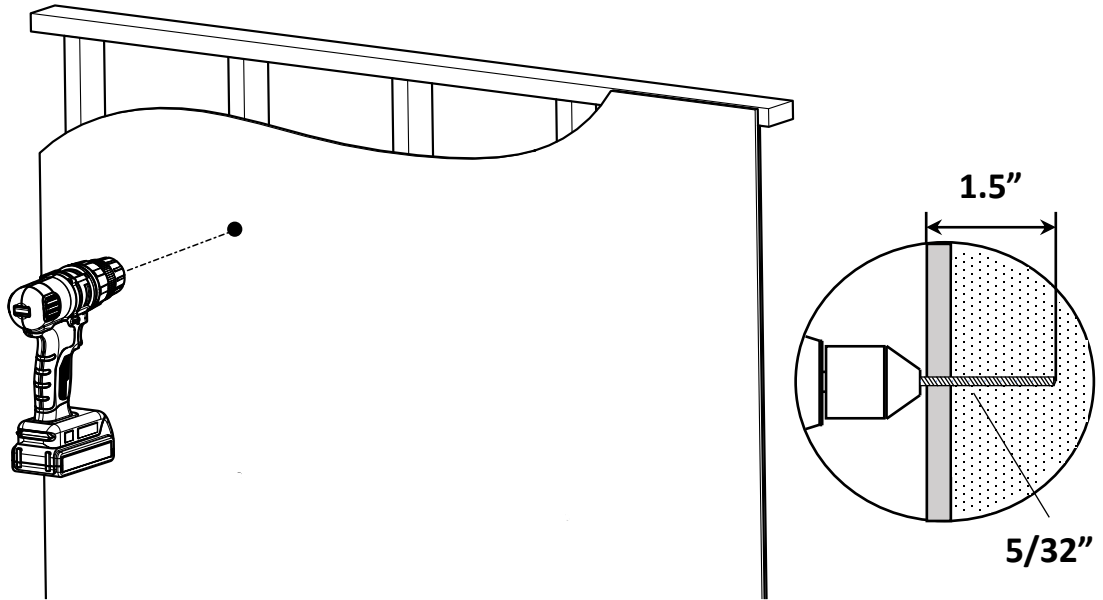
If you desire a different mounting position than shown (left-to-right), an Adapter Mounting Plate is required (not included). See [StormShellTV.com/collections/accessories](http://StormShellTV.com/collections/accessories)

## 2A-3 Mount Storm Shell Back



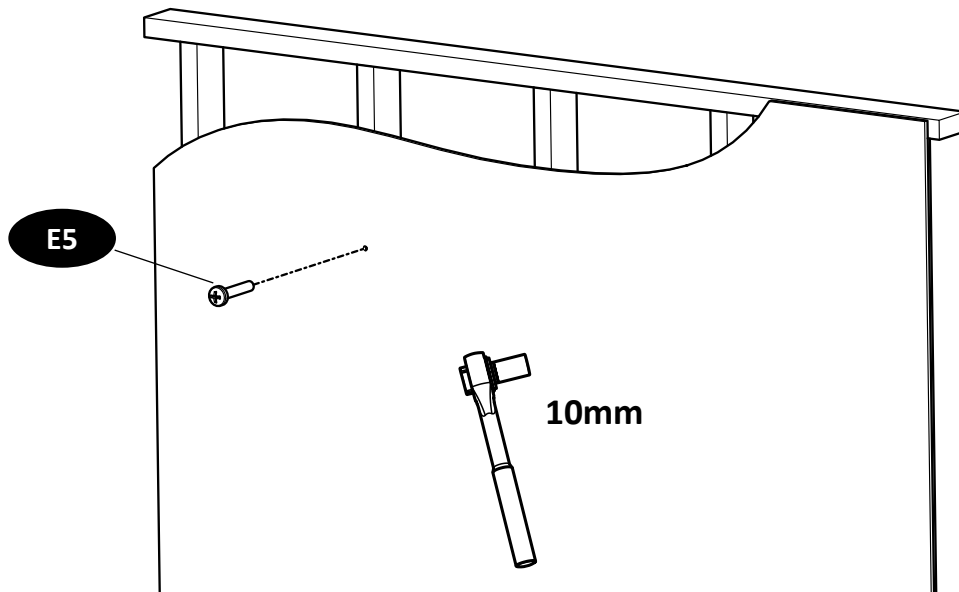
- Place Storm Shell Back at desired installation location
- Mark in top left "key-hole" (ensure the mark is over a stud)

## 2A-4 Mount Storm Shell Back



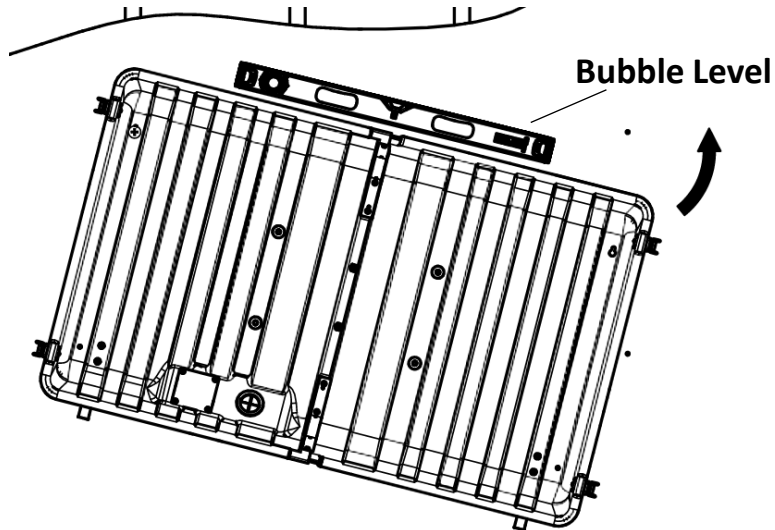
- Remove Storm Shell Back and drill on top left mark with 5/32" wood drill bit 1.5" deep.

## 2A-5 Mount Storm Shell Back



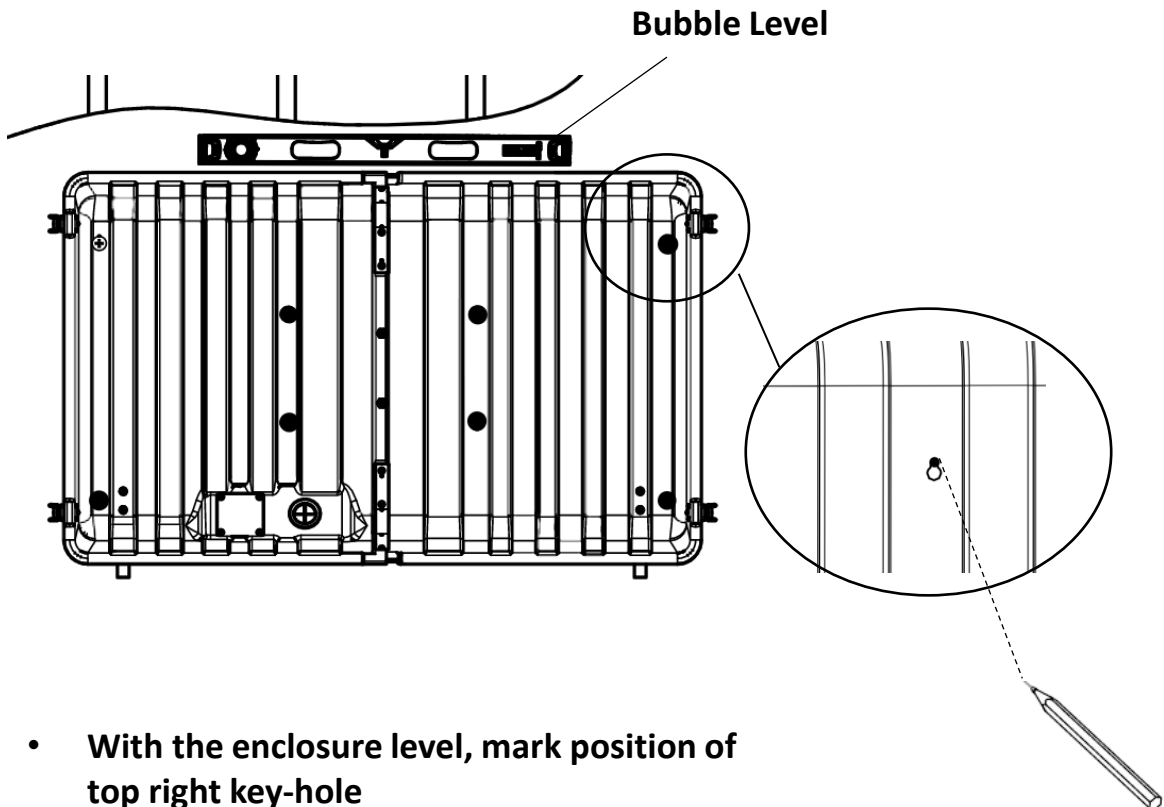
- Install E5 in top left location (leave small gap between screw head and wall) – use 10mm socket

## 2A-6 Mount Storm Shell Back



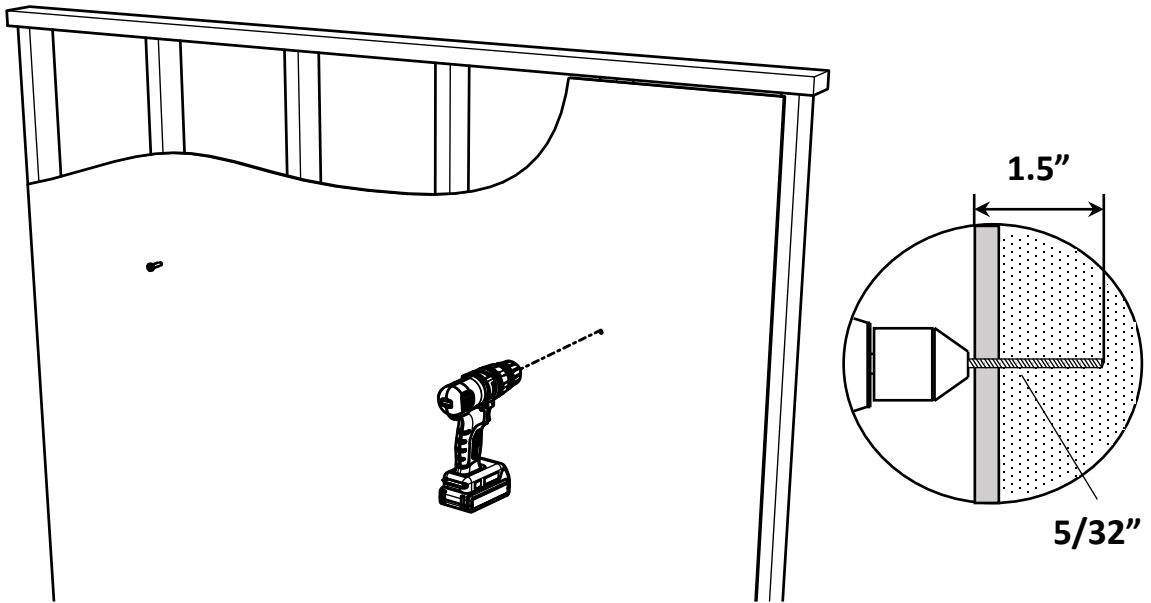
- Hang top left key-hole on the installed E5 screw
- Place bubble level on Storm Shell Back, swing so the enclosure is level

## 2A-7 Mount Storm Shell Back



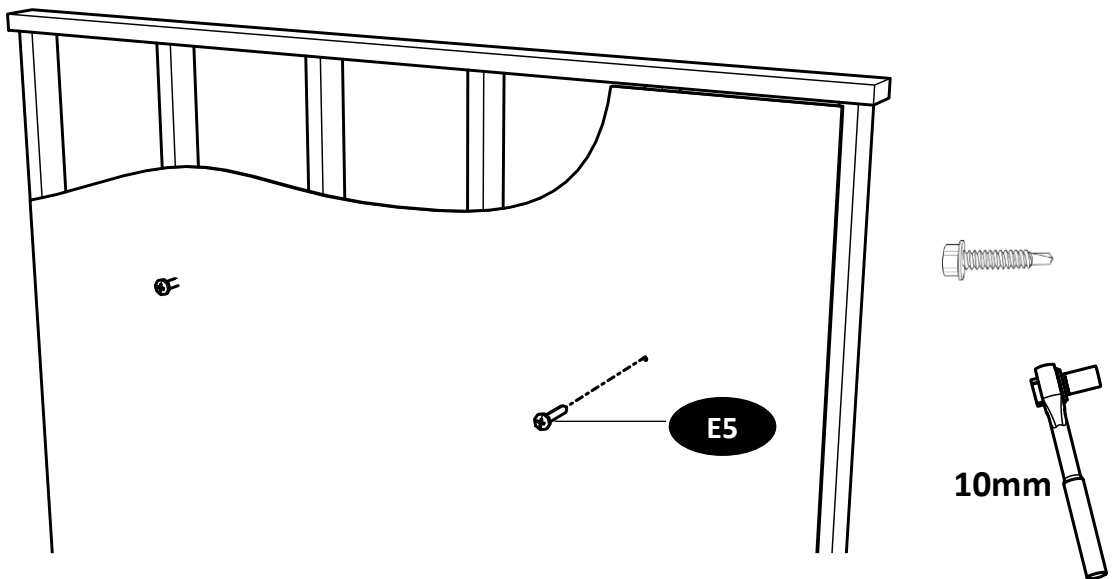
- With the enclosure level, mark position of top right key-hole

## 2A-8 Mount Storm Shell Back



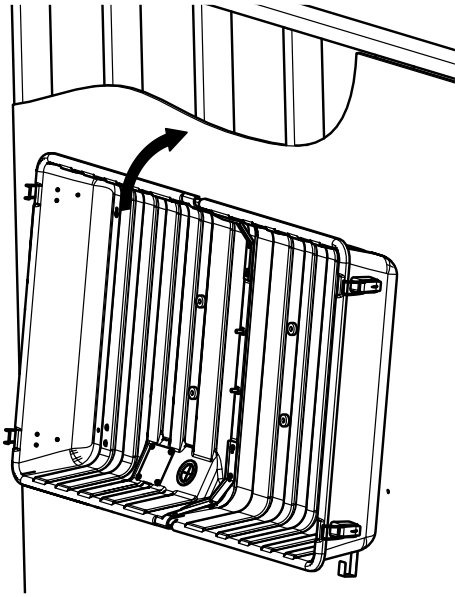
- Remove Storm Shell Back and drill on top right mark with 5/32" wood drill bit 1.5" deep.

## 2A-9 Mount Storm Shell Back



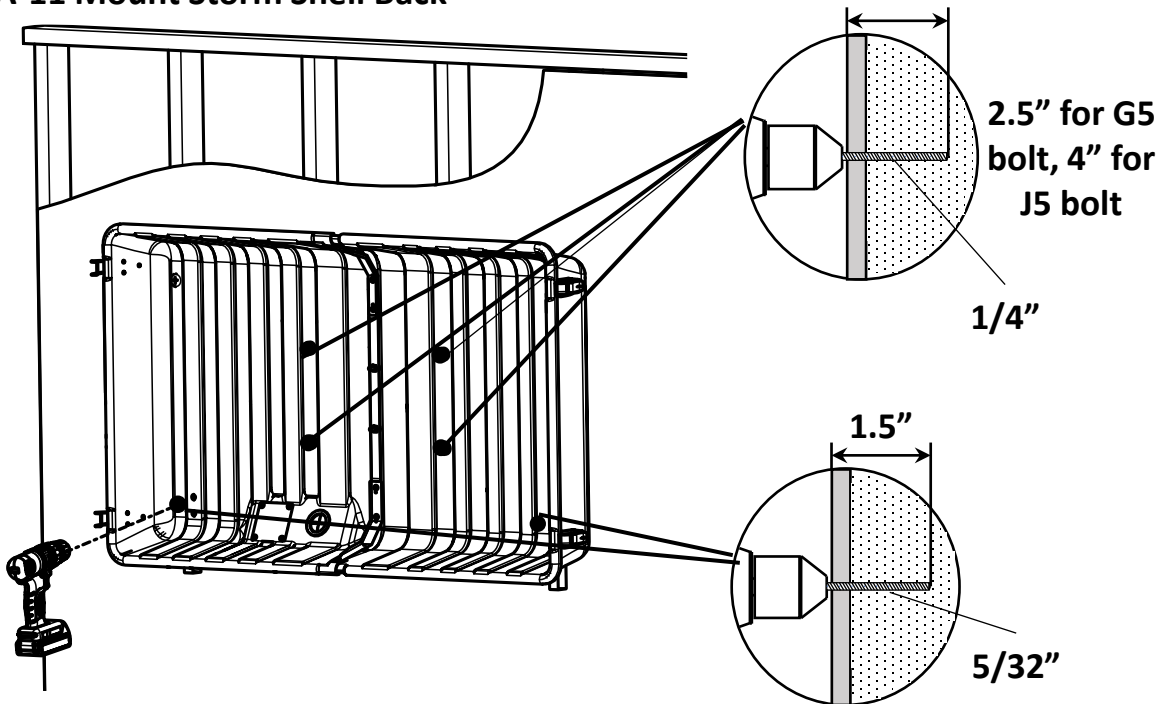
- Install E5 in top right location (leave small gap between screw head and wall) – use 10mm socket

## 2A-10 Mount Storm Shell Back



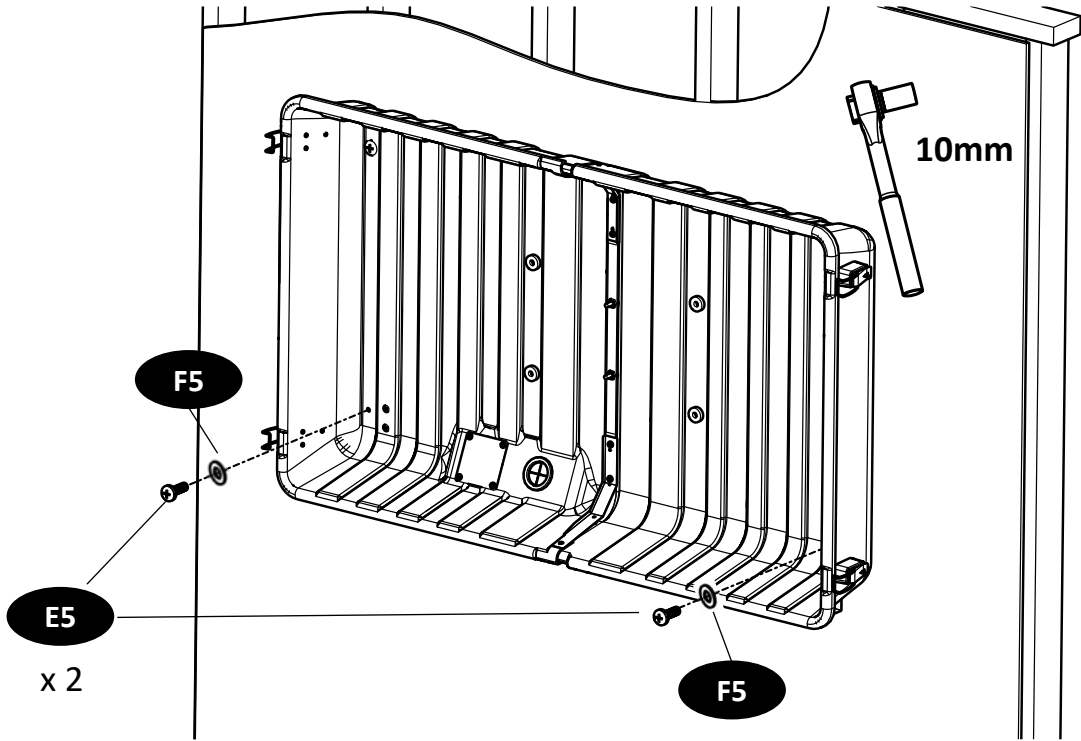
- Hang Storm Shell Back on the two E5 screws previously mounted into the wall.

## 2A-11 Mount Storm Shell Back

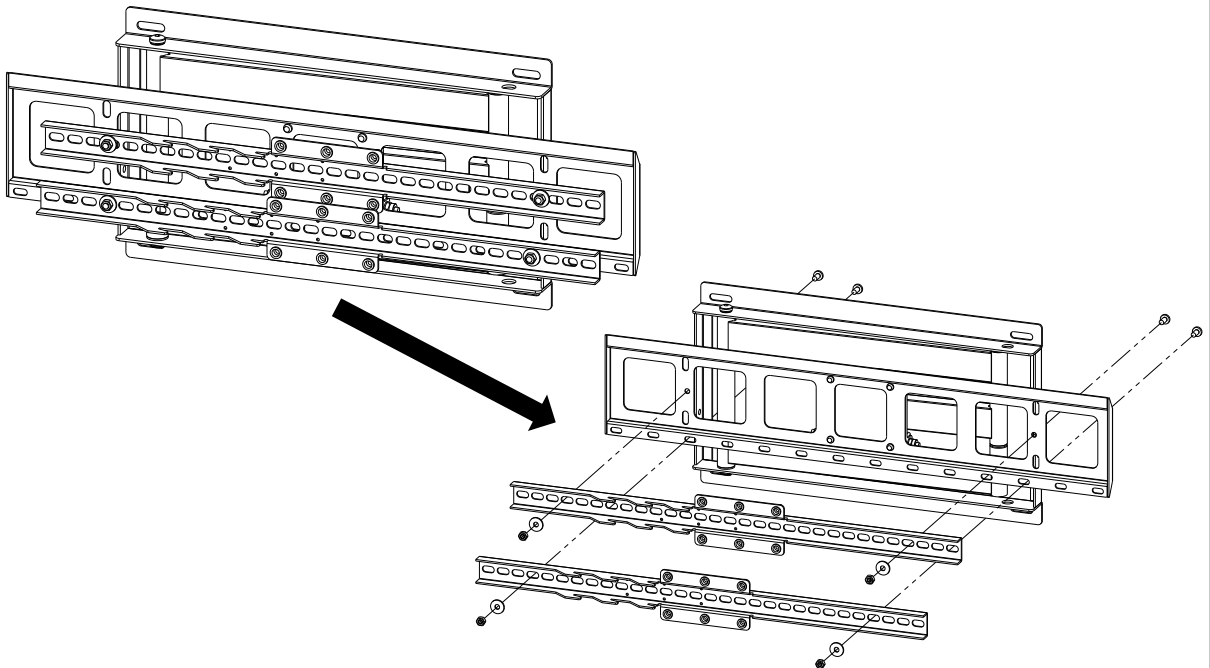


- Drill through two lower holes with 5/32" wood drill bit, 1.5" deep.
- Drill through four TV Bracket holes with 1/4" wood drill bit. If installation is over drywall, drill 2.5" deep. If installation is over outdoor siding, drill 4" deep.
- Ensure all drill holes are on studs.

## 2A-12 Mount Storm Shell Back



## 2A-13 Separate Vertical Brackets from TV Bracket



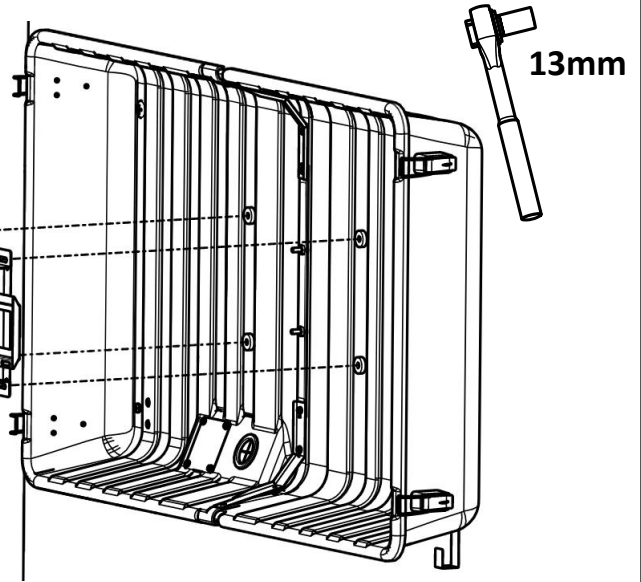
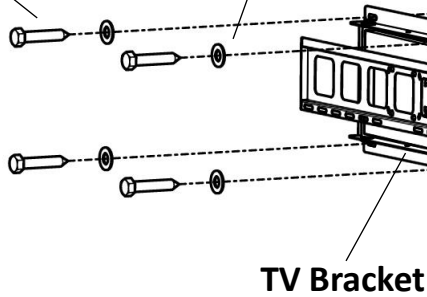


## 2A-14 Mount Storm Shell Back

**G5** x 4  
or

**J5** x 4

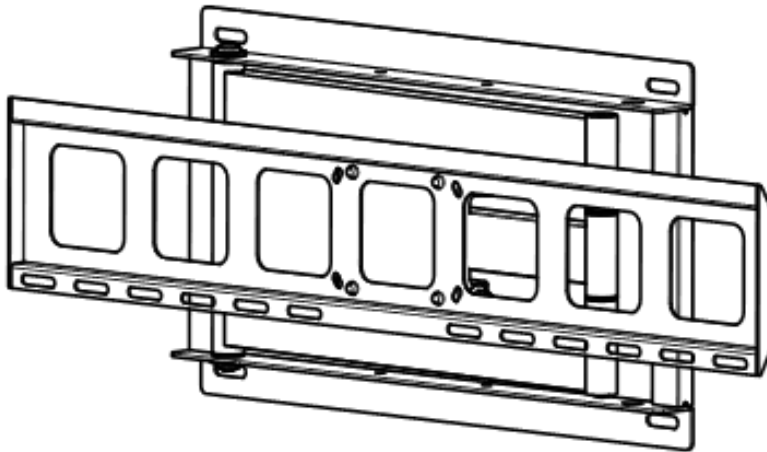
**H5** x 4



Note!

G5 or J5 Lag Bolts must penetrate wood studs at least 1.5 inches deep. If wall material (siding, stucco, brick veneer) is too thick to allow this, longer lag bolts will be required. 8mm, 1/4", or 5/16" diameter lag bolts are adequate.

## 2A-15 Note the TV Bracket Orientation

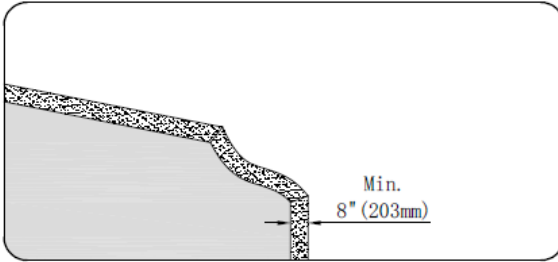


TV Bracket –  
This way up



Note the hole  
pattern location

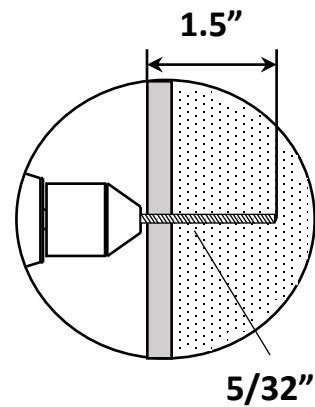
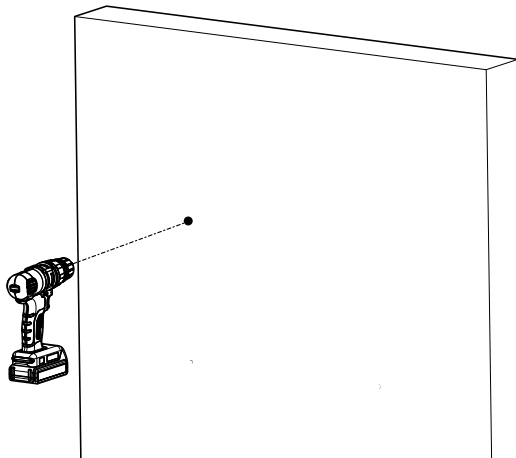
## Step 2B – Concrete Wall Installation



CAUTION!

Be Aware of  
Electrical Conduit,  
Gas, or Water Pipes!

2B-1

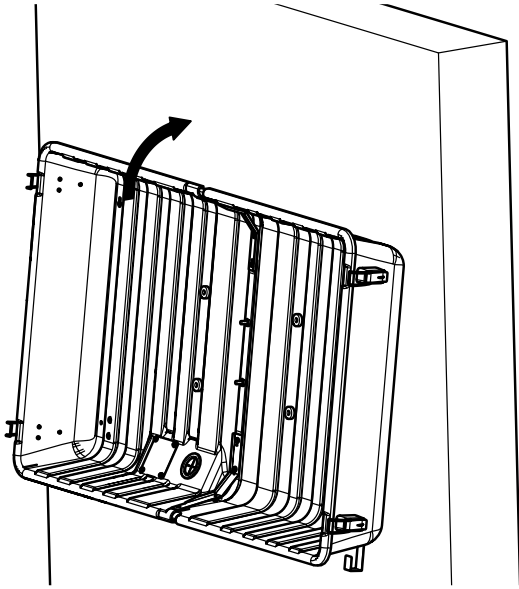


- Repeat Steps 2A-3 and 2A-4 except use a hammer drill in concrete. Use 5/32" concrete drill bit 1.5" deep.

2B-2

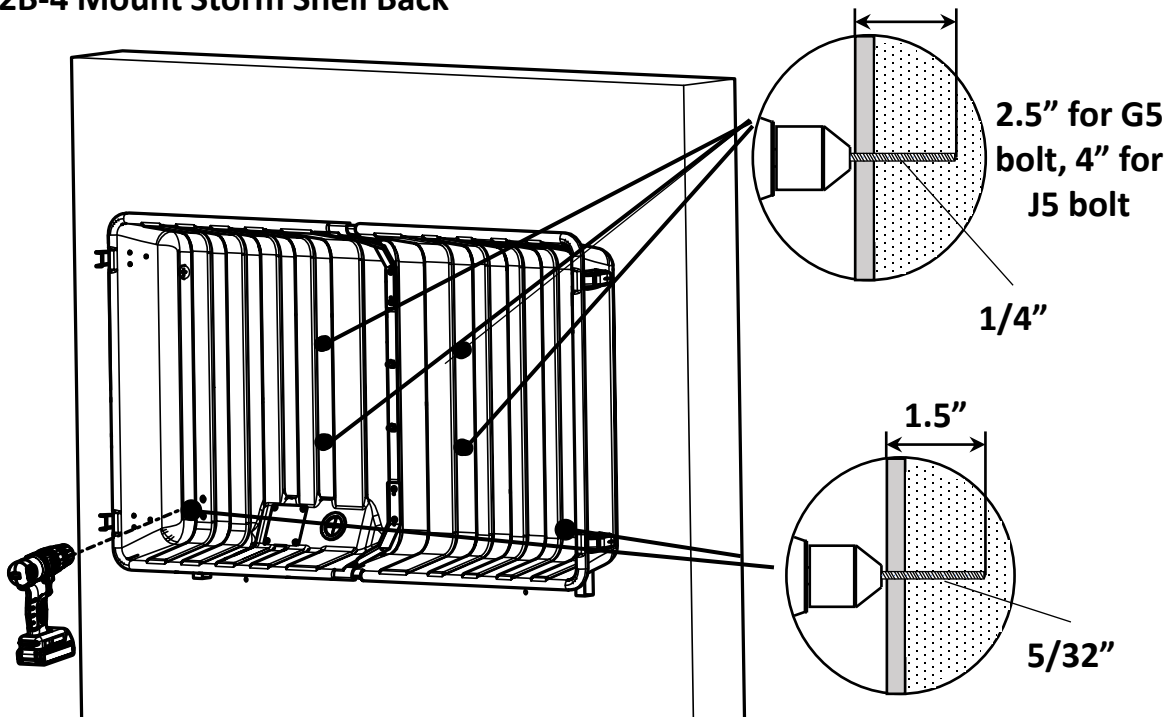
- Repeat Step 2A-5, 2A-6, 2A-7
- Repeat Steps 2A-8 except use a hammer drill in concrete. Use 5/32" concrete drill bit 1.5" deep.
- Repeat Step 2A-9

### 2B-3 Mount Storm Shell Back



- Hang Storm Shell Back on the two E5 screws previously mounted into the wall.

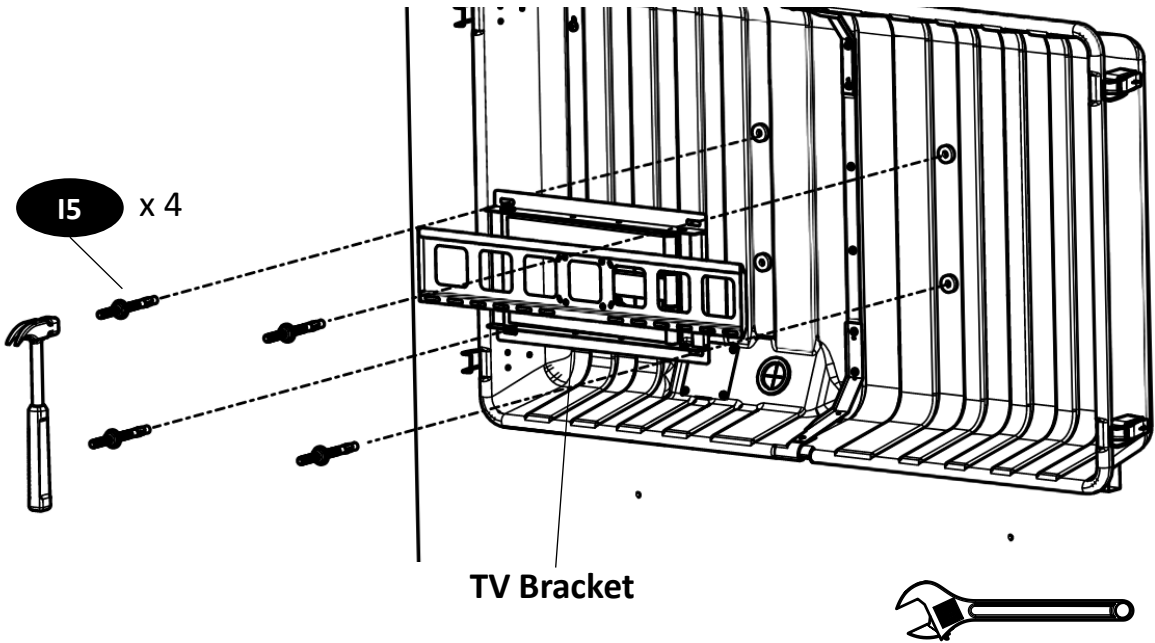
### 2B-4 Mount Storm Shell Back



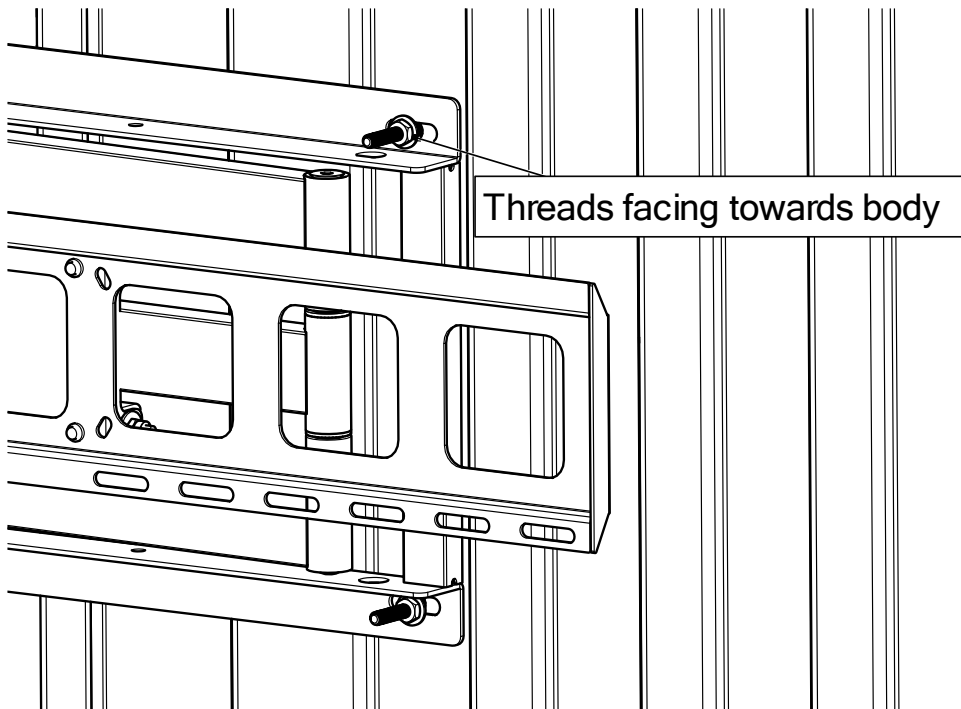
- Drill on three perimeter marks with 5/32" concrete drill bit, 1.5 inches deep.
- Drill on four TV Bracket marks with 5/16" concrete drill bit, 3.0 inches deep.

2B-5

- Repeat Step 2A-14.

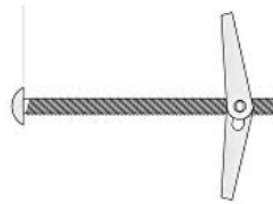
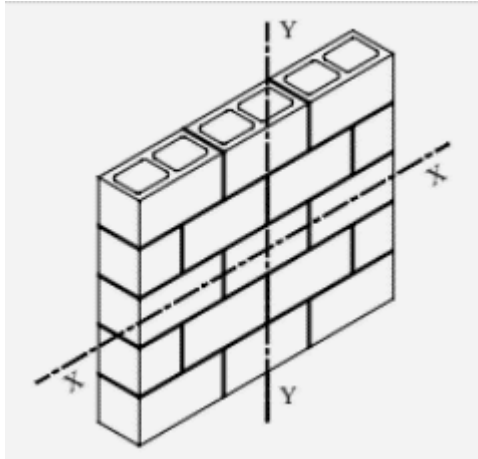


- Install TV Bracket with 15 bolts. Tap-in 15 with hammer, then tighten nuts with crescent wrench



## Step 2C – Hollow Wall Installation

### 2C-1 C90 (Cinder Block) Wall, or Masonry Wall Less Than 8" Thick



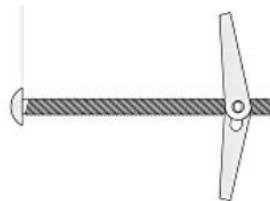
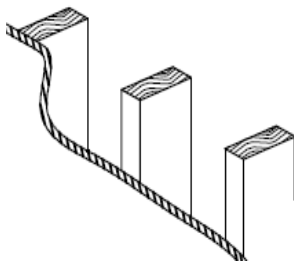
Toggle Bolt



Strap Toggle Bolt

- If the C90 wall is filled with concrete, follow Step 2B
- If the C90 wall is hollow, follow Step 2B except use Toggle Bolts (1/4" or 5/16") in place of I5 to attach the TV Bracket. Use four Toggle Bolts to attach the TV Bracket.
- Toggle Bolts or Strap Toggles are available at hardware stores or online.

### 2C-2 Metal Stud Installation



Toggle Bolt

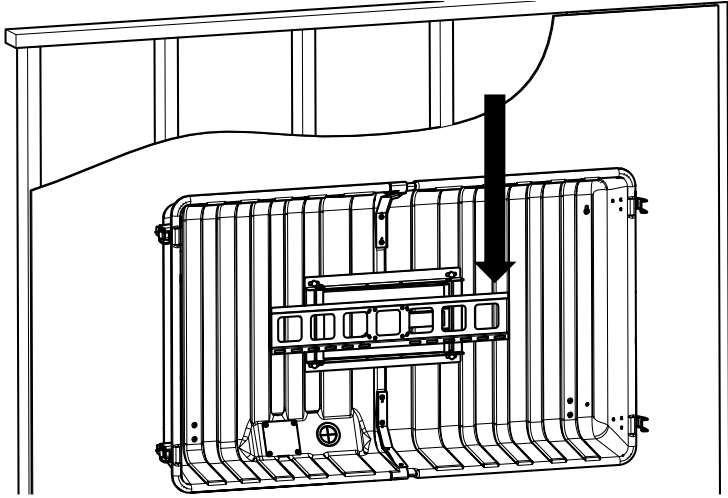


Strap Toggle Bolt

- Follow Step 2A except use Toggle Bolts (1/4" or 5/16") in place of G5 to attach the TV Bracket. Use four Toggle Bolts to attach the TV Bracket.
- Toggle Bolts or Strap Toggles are available at hardware stores or online.

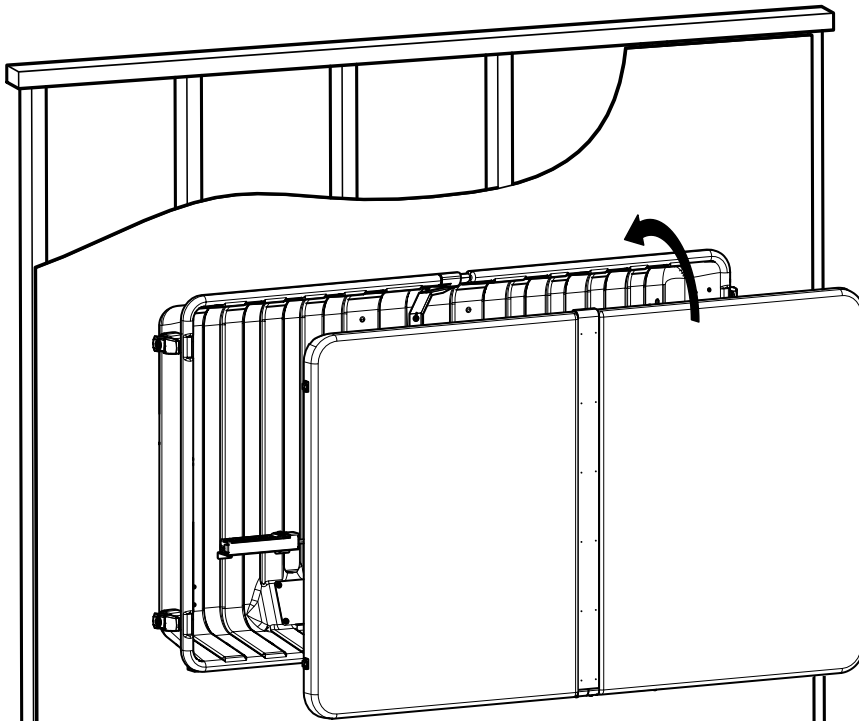
## Step 3 – Test Storm Shell

### 3-1 Before hanging TV, conduct a “wall integrity test”



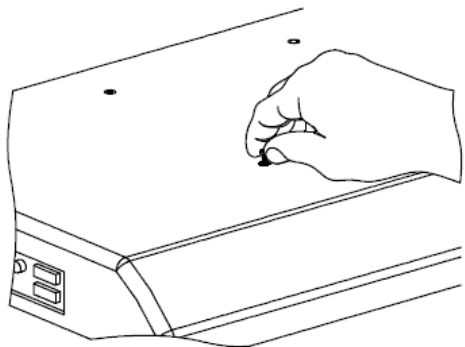
After mounting bracket is assembled, test bracket by putting downward pressure on bracket (equivalent to TV weight) to ensure proper installation

### 3-2 Install Storm Shell Front – check fit



# Step 4 – Attach TV to Mounting Bracket

## 4-1 Select TV Screws



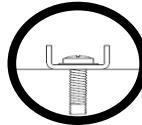
**V1 - V2**  
M4

**V3 - V4**  
M6

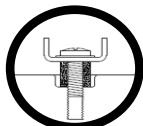
**V5 - V6**  
M8



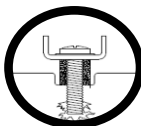
**No!**



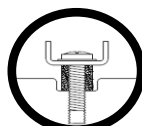
**Yes!**



**No!  
too short**

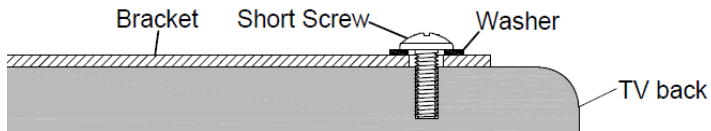


**No!  
too long**

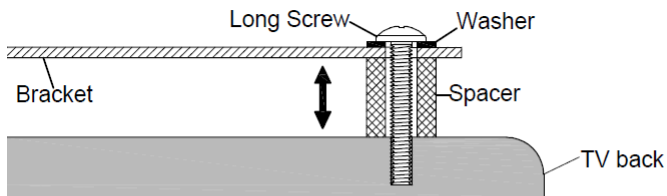


**Yes!  
(with spacer)**

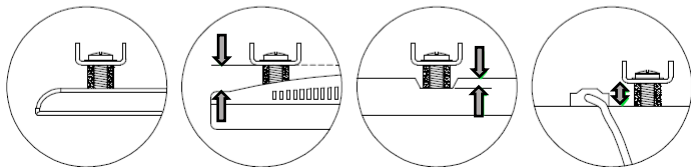
## 4-2 Determine if Spacers are Needed



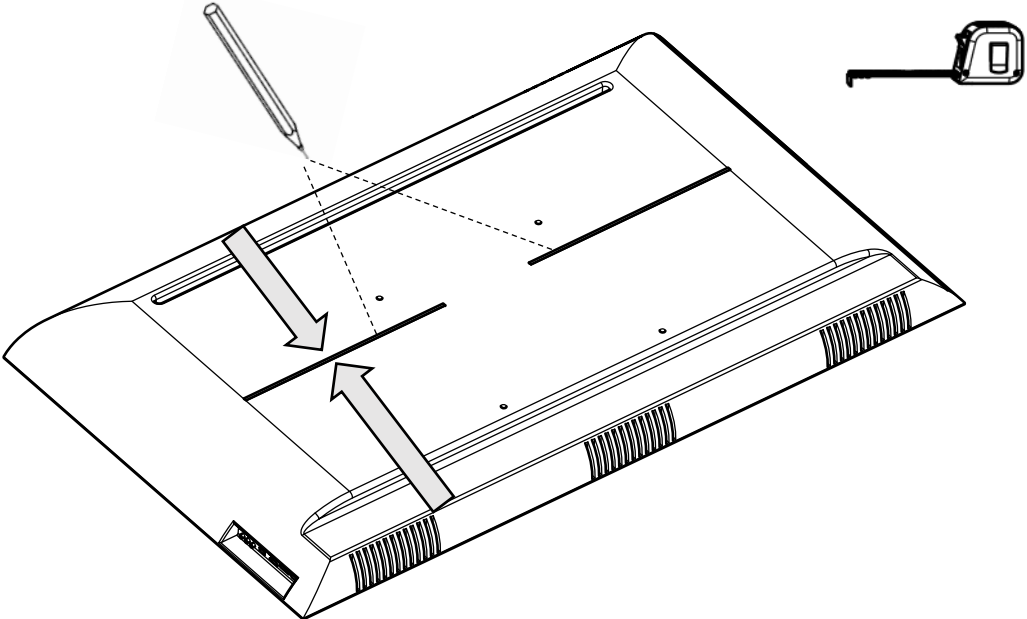
**No Spacer Needed**



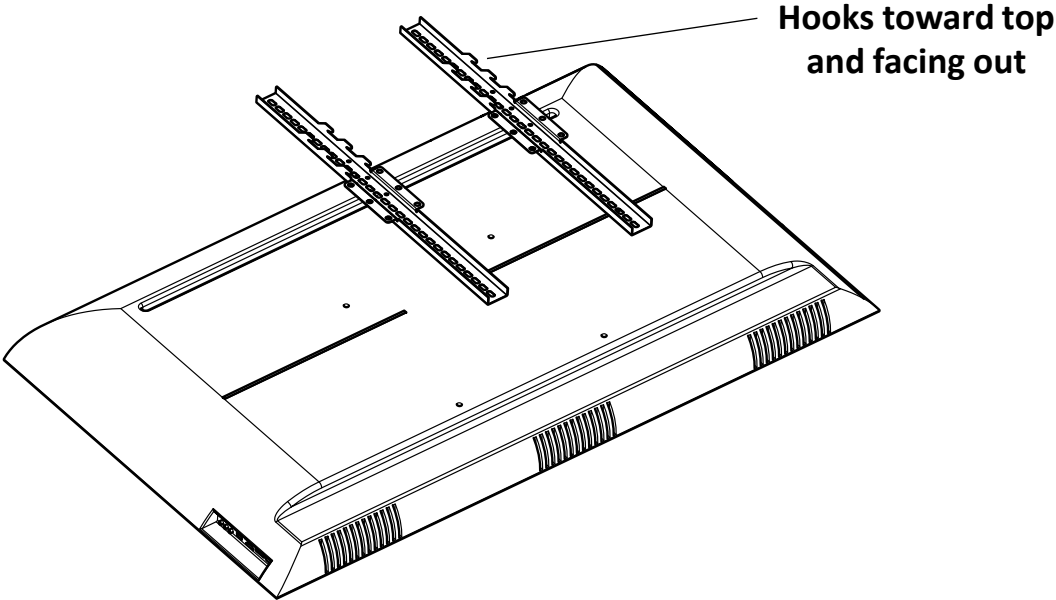
**Yes, Spacer Needed**



**4-3 Measure & Mark Vertical Center of TV**



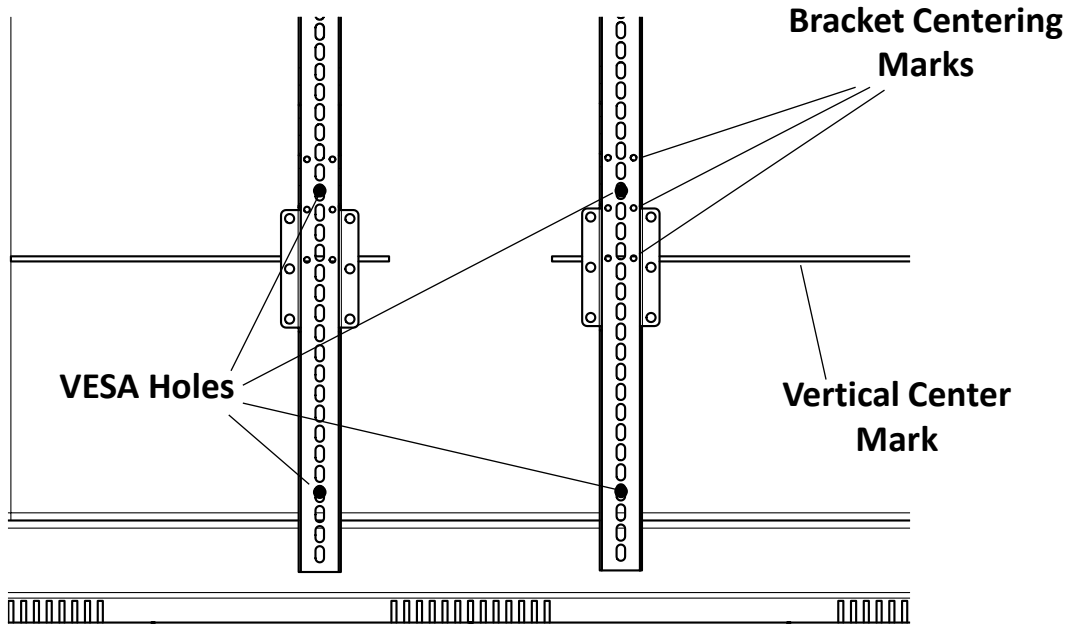
**4-4 Determine Placement of Vertical Brackets**



**Place Vertical Brackets over VESA holes**

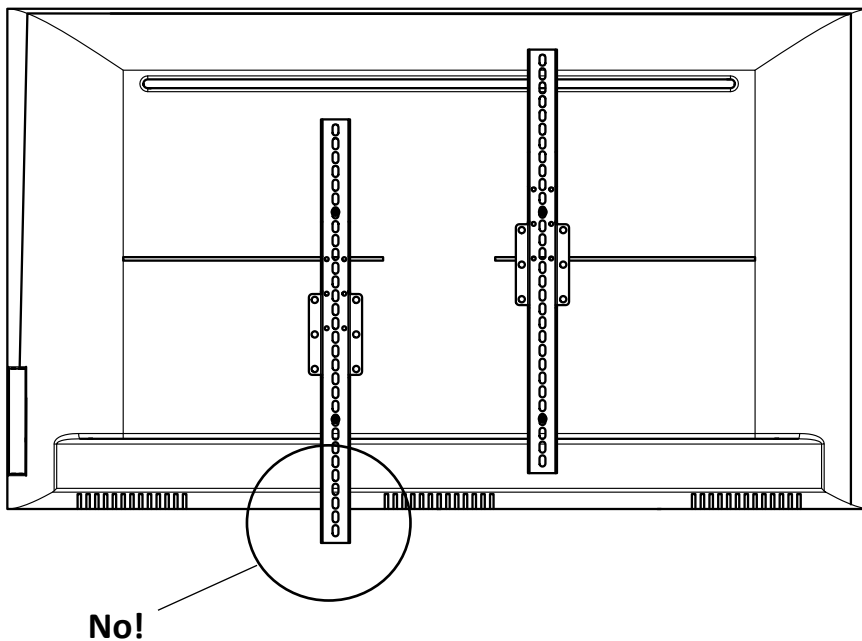


#### 4-5 Determine Placement of Vertical Brackets

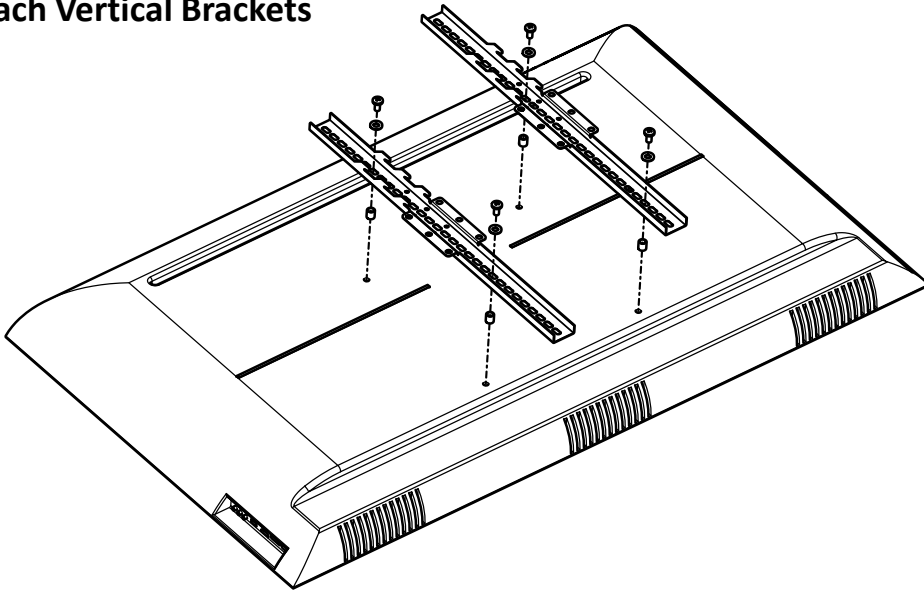


- Place one of the “Bracket Centering Marks” over the Vertical Center Mark
- Find a position where the bracket covers the VESA holes, but does not overhang the TV

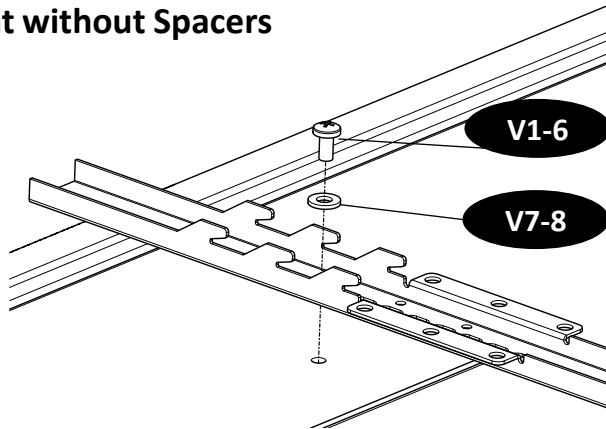
#### 4-6 Determine Placement of Vertical Brackets



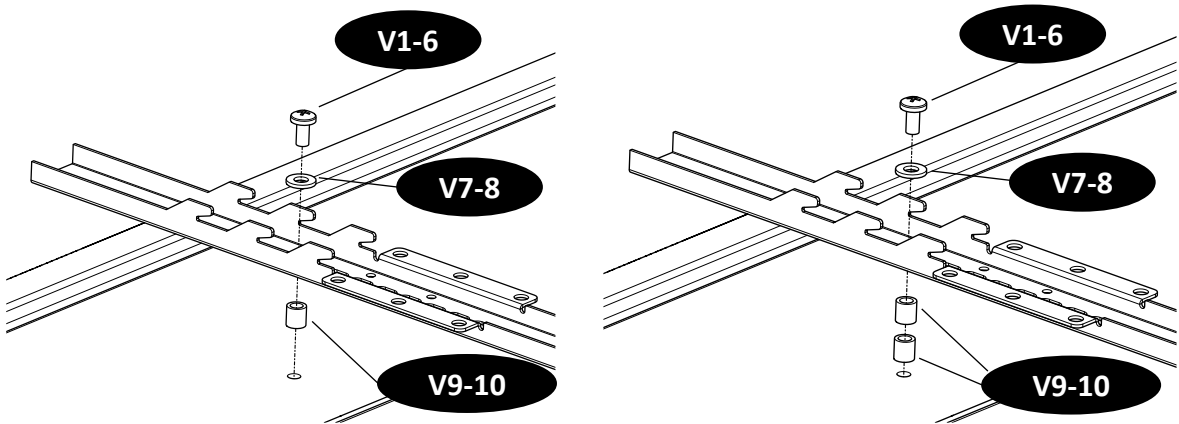
## 4-7 Attach Vertical Brackets



## 4-8a Attachment without Spacers

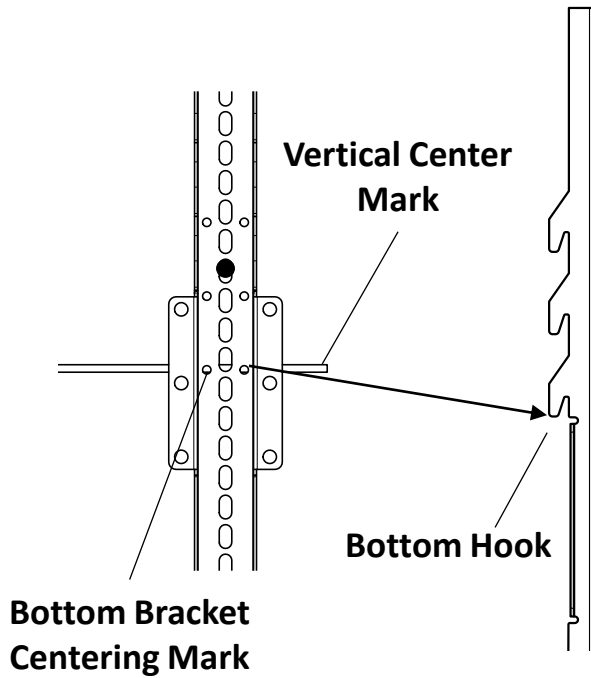


## 4-8b Attachment with Spacers

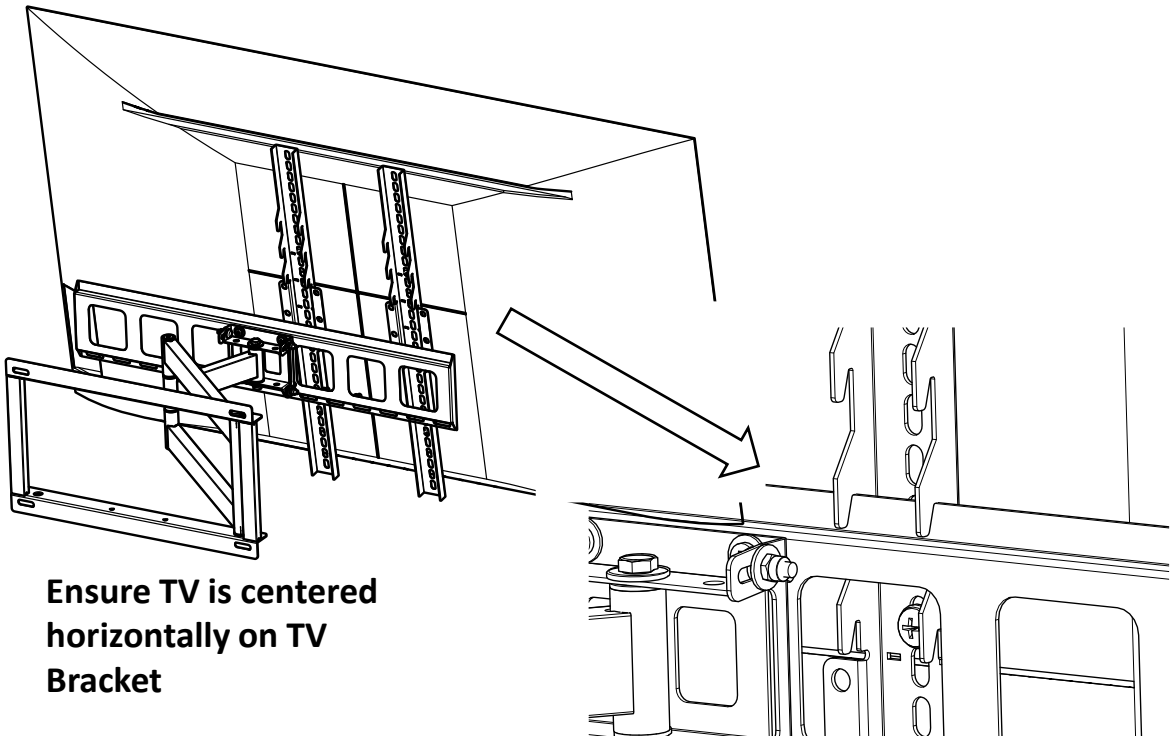


#### 4-9 Determine Which Hook Position to Use

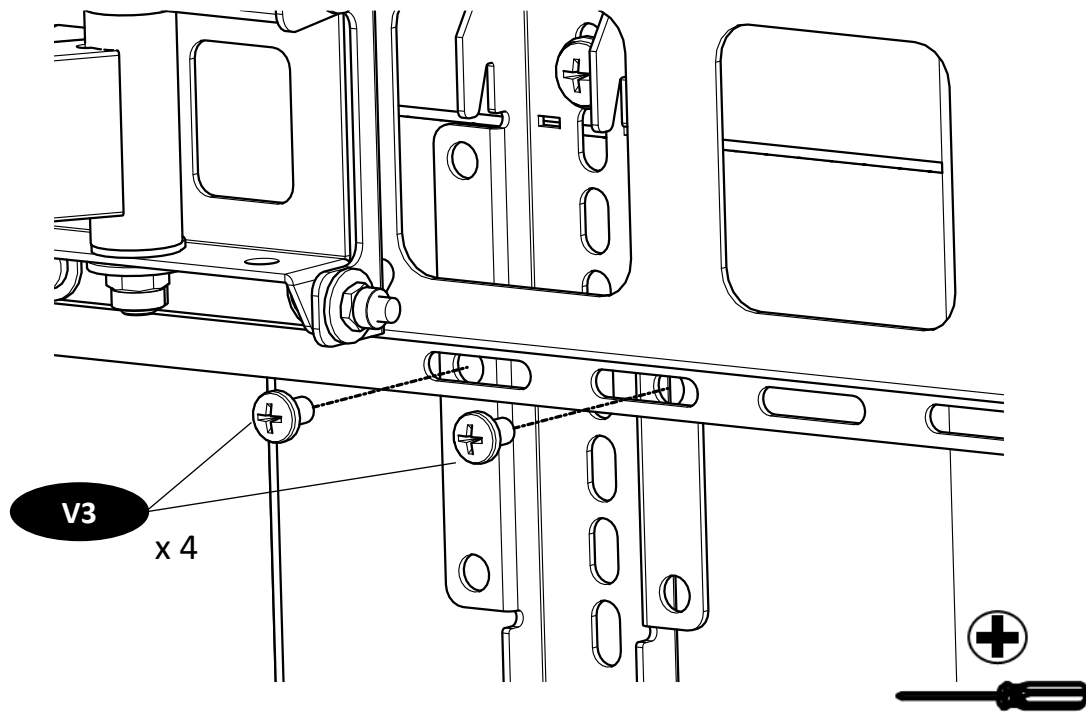
- Determine which “Bracket Centering Mark” covers the Vertical Center Mark
- Use the top hook for the top centering mark, middle hook for the middle centering mark, etc.



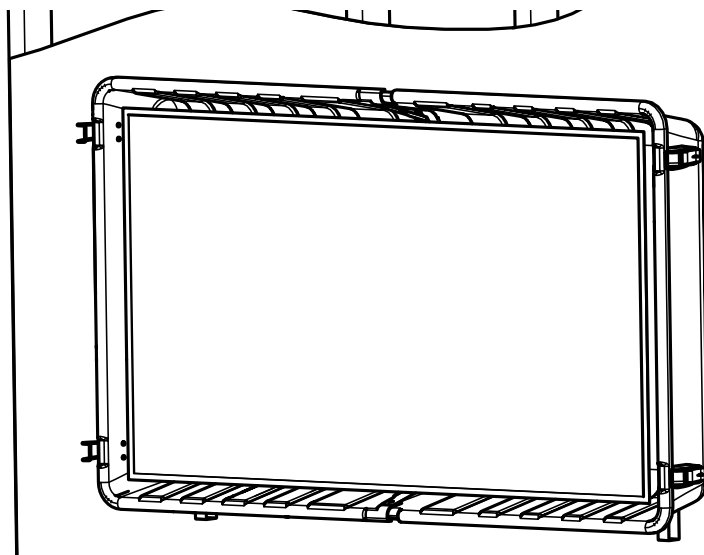
#### 4-10 Hang and Secure TV to Wall Plate



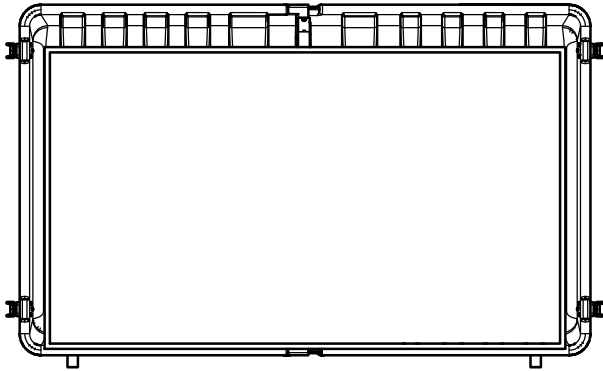
## 4-11 Attach Securing Screws



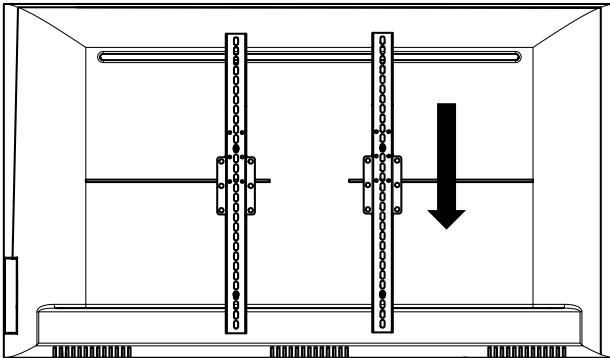
## 4-12 Check TV Fit in Storm Shell



#### 4-13 Adjust Vertical Bracket Position if Necessary

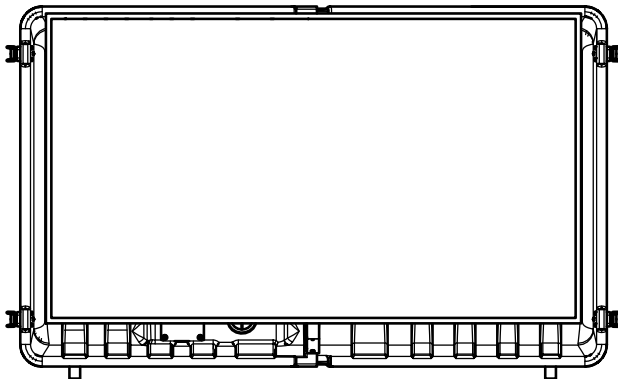


- If TV sits low in Storm Shell enclosure;

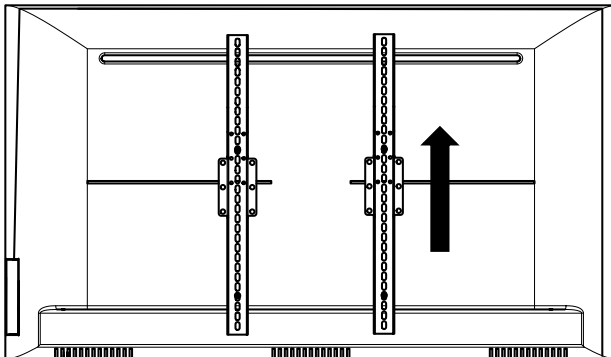


- Adjust vertical TV brackets down and re-hang.

#### 4-14 Adjust Vertical Bracket Position if Necessary

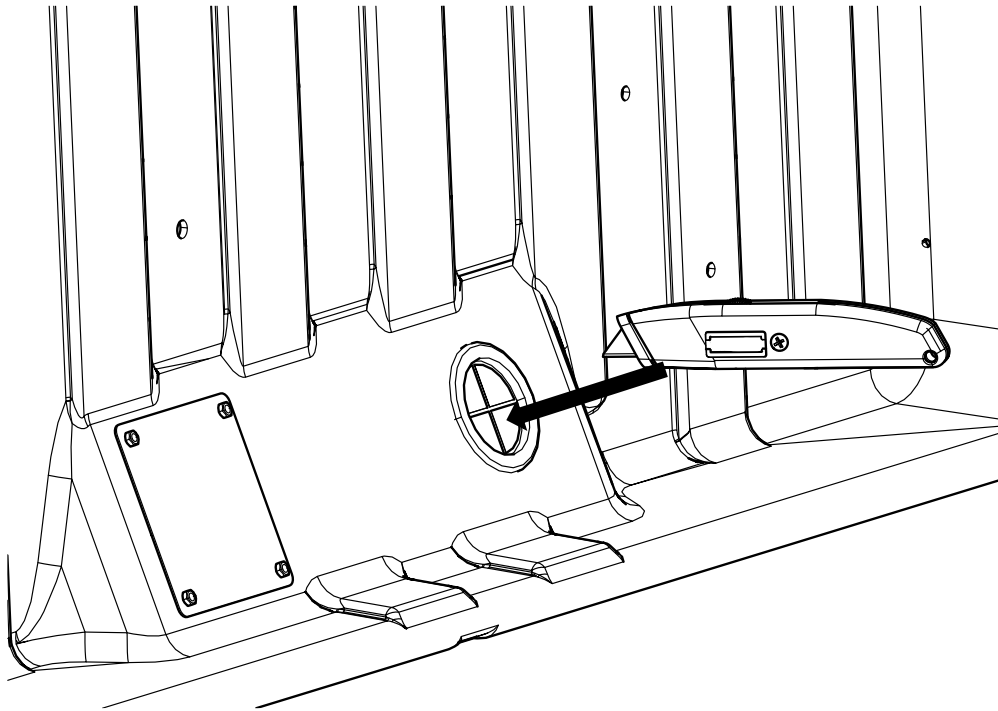


- If TV sits high in Storm Shell enclosure;

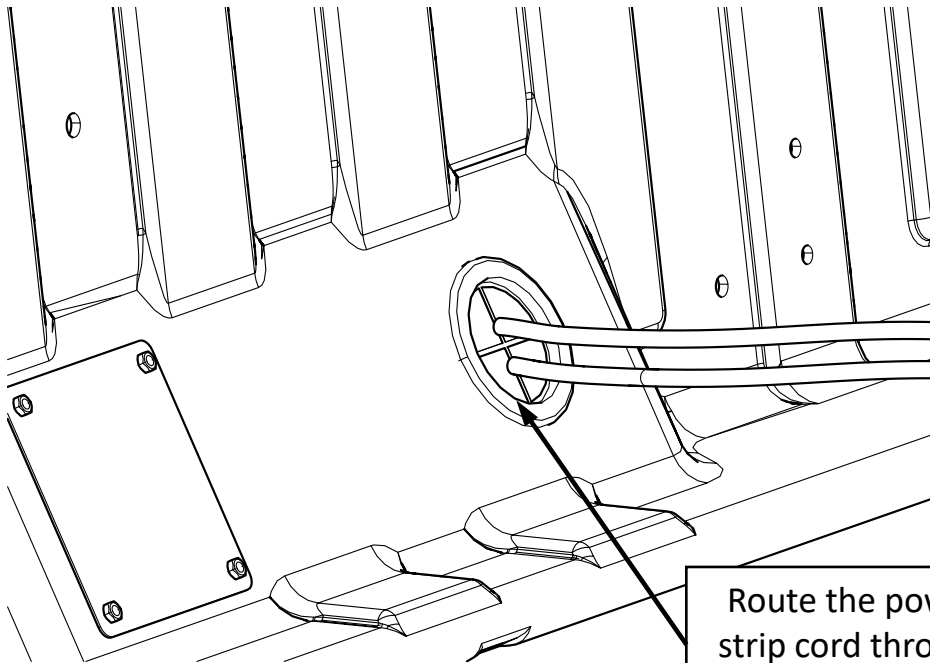


- Adjust vertical TV brackets up and re-hang

#### 4-15 Set TV Cables – Cut Cable Grommet



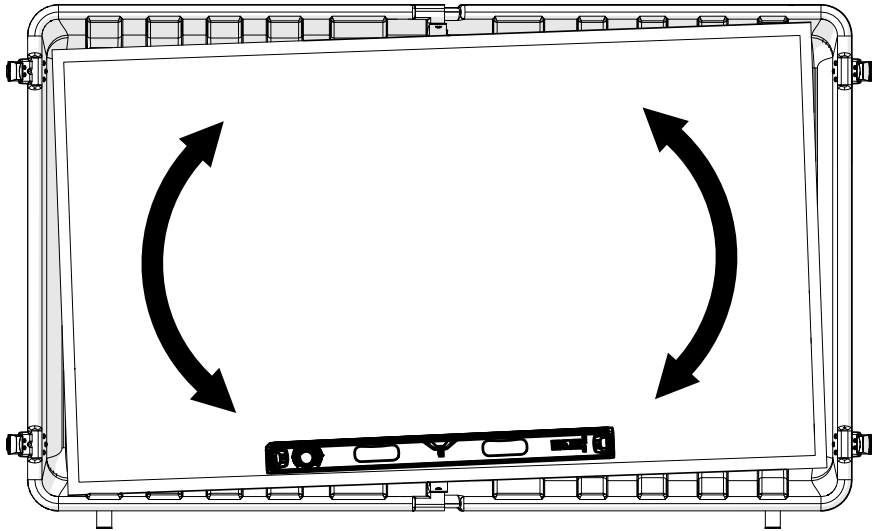
#### 4-16 Set TV Cables



Route the power strip cord through the grommet

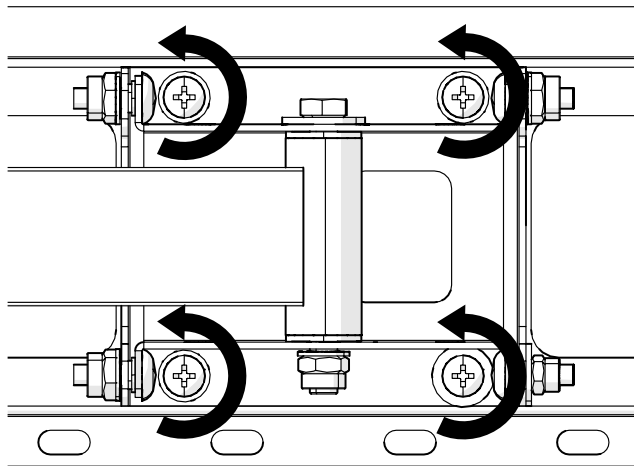
## Step 5 - Adjust the TV Level

5-1



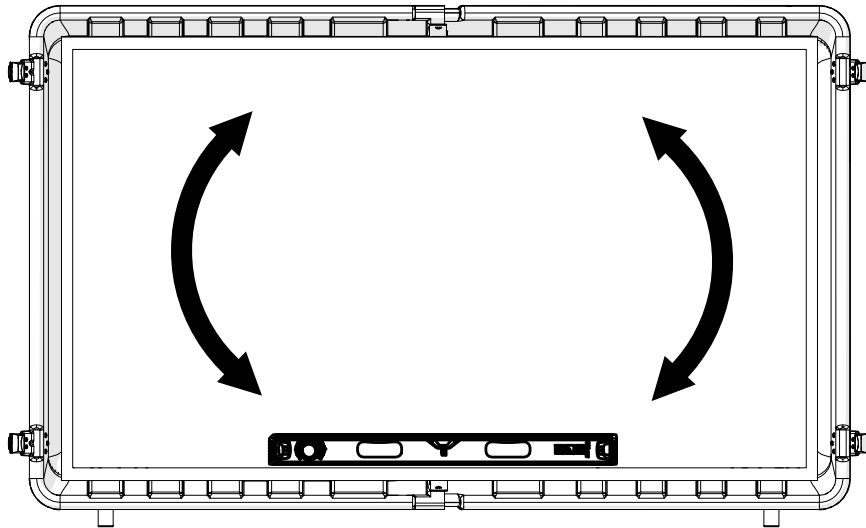
- Check the TV level with the Storm Shell.
- Skip this step if the TV is level.

5-2



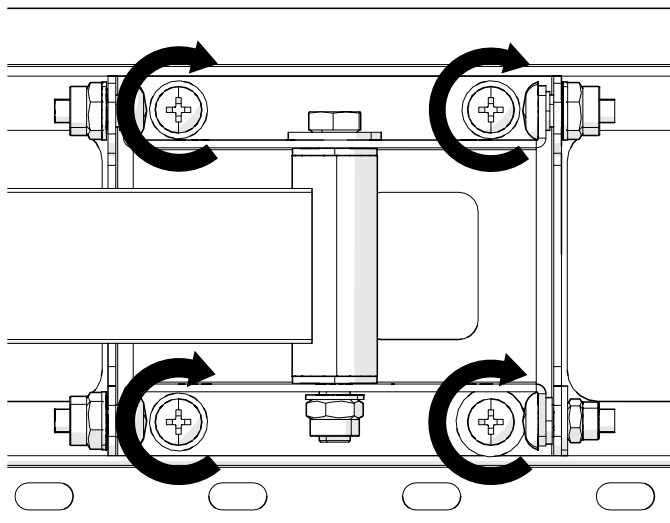
- Behind the TV, loosen the 4 screws on the TV bracket.
- Do not remove the screws!

5-3



- **Adjust the TV by gently lifting the bottom corner that is lowest.**
- **Check the position with a bubble level or a tape measure.**

5-4



- **When the TV is level, tighten the 4 screws from Step 5-2.**