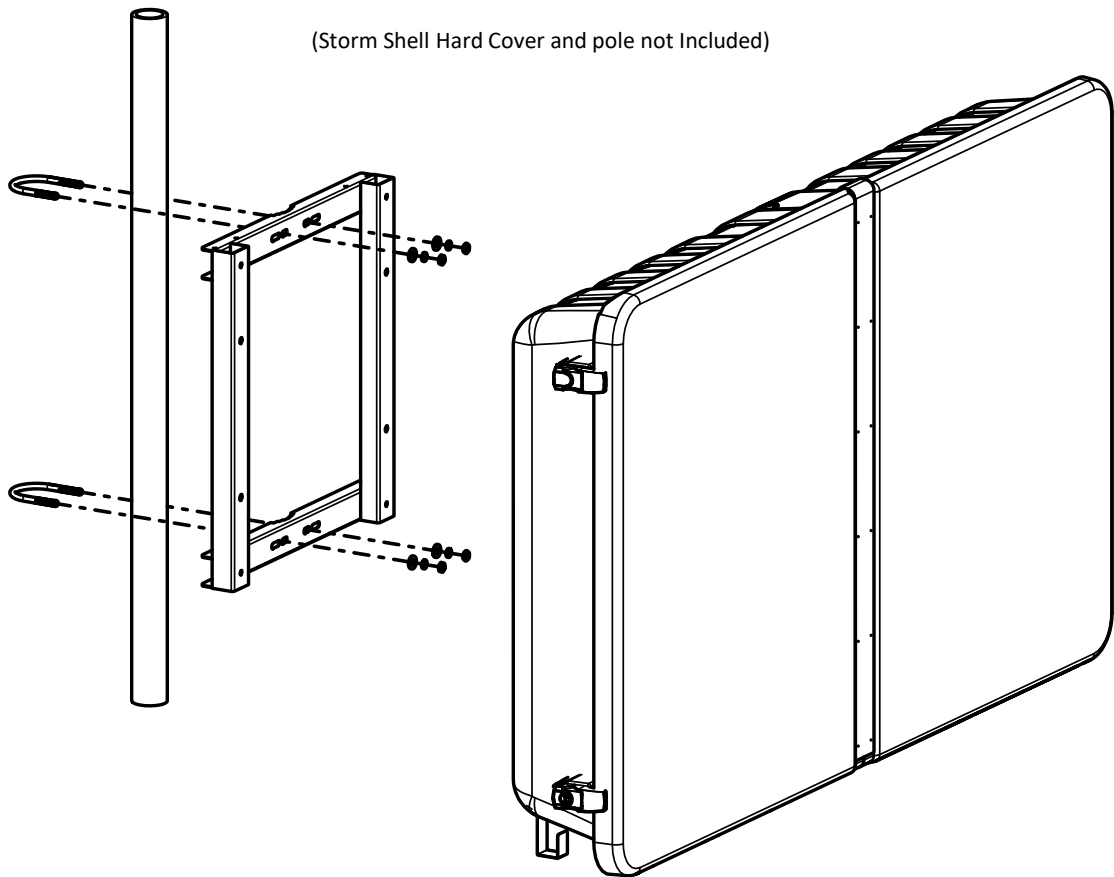




ASSEMBLY & INSTALLATION INSTRUCTIONS

SS-55/65/75 Pole Mount

v 3.0



If you have any questions, please contact us at cs@stormshelltv.com, or call at (435) 752-6611
Mon – Fri 9am – 5pm (MT)

STOP

Please do not return to store.

WE CAN HELP

Email: cs@stormshelltv.com

Call: (435) 752-6611 M–F 9am – 5pm (MT)

For Customer Service



- If you need any assistance with your new item, please call us or you can email us your inquiries. We will be happy to assist and walk you through your assembly process.
- If you are missing any parts, we will ship them to you free of charge.
- Work in a spacious area near where the item will be used.
- Check your item list to make sure all your parts and hardware are included before you begin the assembly process.
- It is important to follow each step as instructed to avoid any unwanted obstacles.

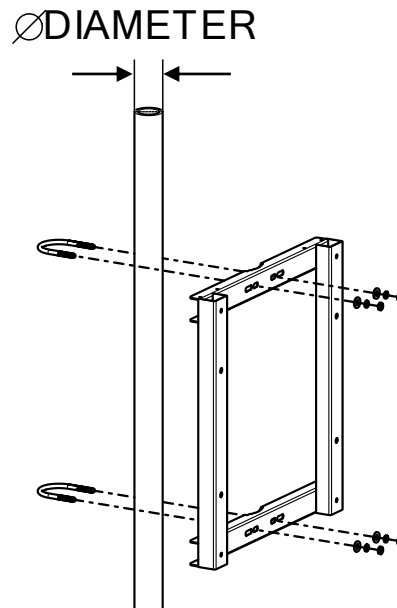
The 55/65/75 Storm Shell Pole Mount is designed to be used with the 55, 65 or 75 Storm Shell TV Hard Cover. This instruction manual is a supplement to the Assembly and Installation Instructions for Storm Shell TV Hard Cover.

Before getting started, let's make sure this Storm Shell Pole Mount will work for you!

Pole Size Requirements

The Storm Shell Pole Mount allows the Storm Shell Hard Cover, and TV bracket to be assembled to a vertical cylindrical pole.

- Hardware is included to attach the Storm Shell to a pole with a diameter between 1.5 inches and 4.0 inches.



Weight Capacity

Maximum TV Weight
(including accessories):



CAUTION!

100 LBS MAX

Installation Tools (Not Included)

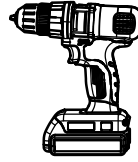
All Installations



Tape Measure



Pen/Pencil



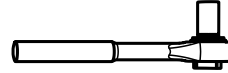
Power Drill



Phillips
Screwdriver



Bubble Level



Socket Wrench



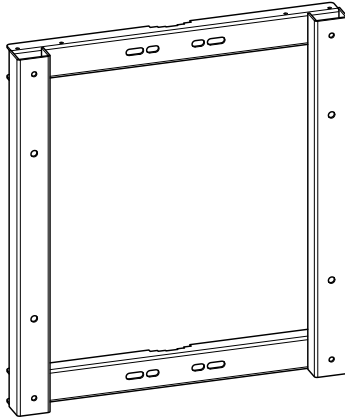
1/4" (7mm) Drill Bit

Safety Caution

- Prior to installation of this product, the installation instructions should be read and completely understood to prevent personal injury and property damage. Keep these installation instructions in an easily accessible location for future reference.
- This mount and the hard cover contains small parts which can act as a choking hazard if swallowed.
- CAUTION: The maximum TV load capacity is 100 lbs. (45 kg). Use with products exceeding the maximum load capacity may cause serious injury.
- The pole structure must be capable of supporting at least five times the maximum load capacity as indicated. If not, the pole must be reinforced.
- Do not install on a structure that is prone to vibration, movement or chance of impact. Failure to do so could result in damage to the display and/or damage to the mounting surface.
- Do not install near heater, fireplace, air conditioning or any other heat producing source. Failure to do so may result in damage to the display and/or the hard cover and could increase the risk of fire.
- Make sure no water or natural gas lines are present where the mount is to be installed. Cutting or drilling into water or natural gas lines could cause personal injury or property damage.
- Proper installation procedure by yourself or a qualified service technician, as outlined in the installation instructions, must be adhered to. Failure to do so could result in serious personal injury.
- It is recommended that two people perform the installation. Injury and/or damage can result from dropping or mishandling the display or hard cover.
- If you don't understand these installation instructions, please consult an installation specialist.

Supplied Parts & Hardware

55/65/75 Pole Mount

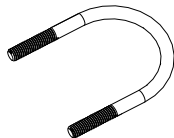


Pole Mount (1 PC)

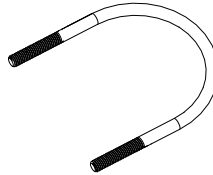
Assembly Hardware



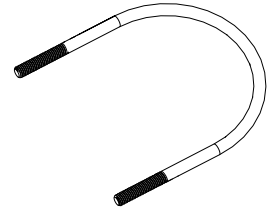
1.5" U-Bolt
L1 (2 PC)



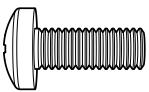
2.0" U-Bolt
L2 (2 PC)



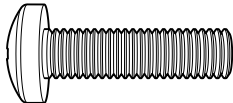
3.0" U-Bolt
L3 (2 PC)



4.0" U-Bolt
L4 (2 PC)



M6x16mm
L5 (4 PC)



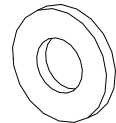
M8x30mm
L6 (4 PC)



M6 Flange Nut
L7 (4 PC)



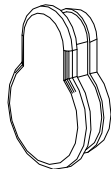
M8 Thin Nut
L8 (8 PC)



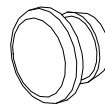
M8 Washer
L9 (8 PC)



M8 Spring Washer
L10 (8 PC)



Keyhole Plug
L11 (2 PC)



Round Hole Plug
L12 (2 PC)



CAUTION!

**CHOKING
HAZARD**

Assembly & Installation Video



Scan the QR Code for video link

Step 1 – Prepare the Storm Shell

1-1 Prepare the Storm Shell

- Follow Step 1 in your Storm Shell owner's manual to assemble your Storm Shell Back and Storm Shell Front.

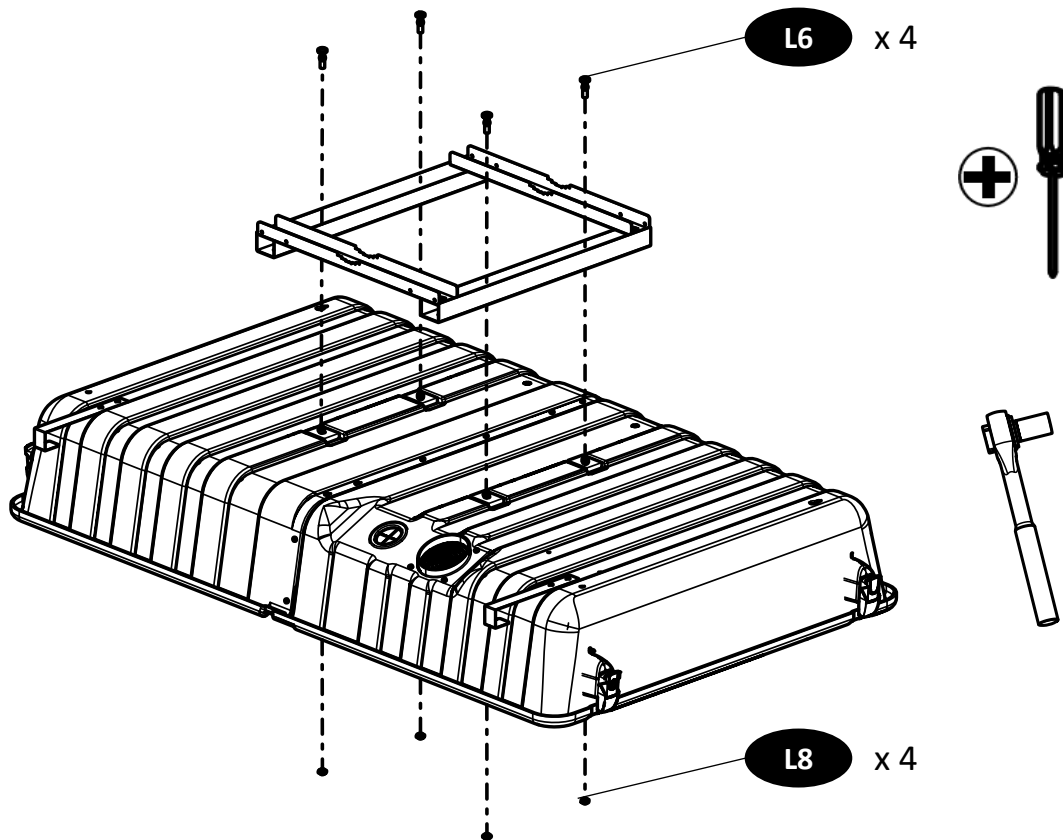
Step 2 – Attach Storm Shell Back to a Pole using the 55/65/75 Pole Mount



CAUTION!

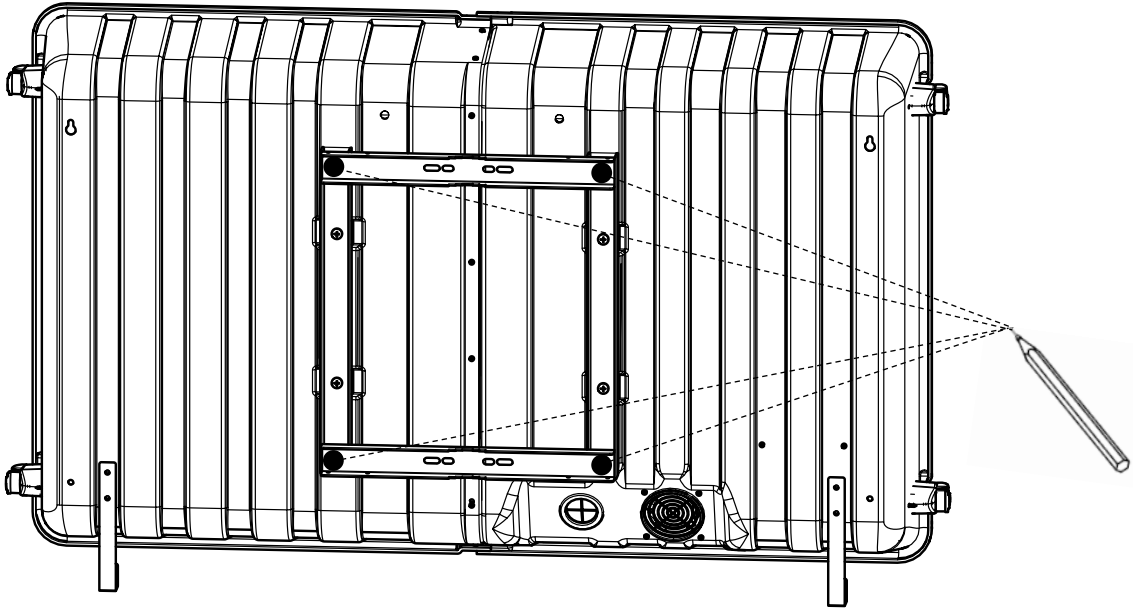
Two people required for installation

2-1 Mount Storm Shell Back



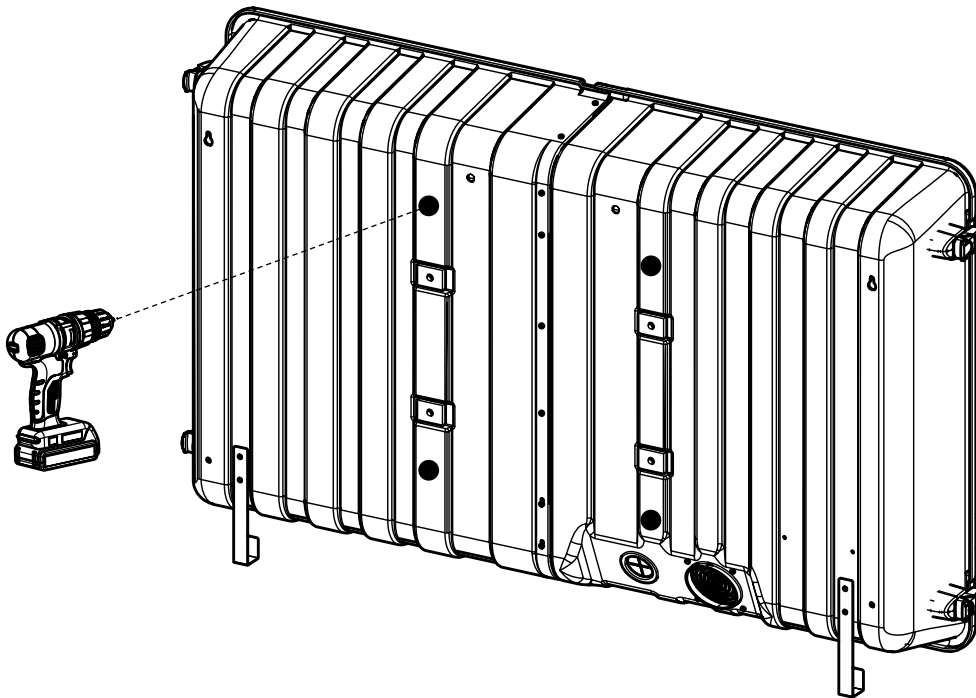
- Place the Storm Shell Back on a protective cover over the ground or other smooth surface with the back facing upwards.
- Temporarily attach the Pole Mount to the Storm Shell Back with L6 screws and L8 nuts.
- Use a bubble level to ensure the Pole Mount is level.

2-2 Mount Storm Shell Back



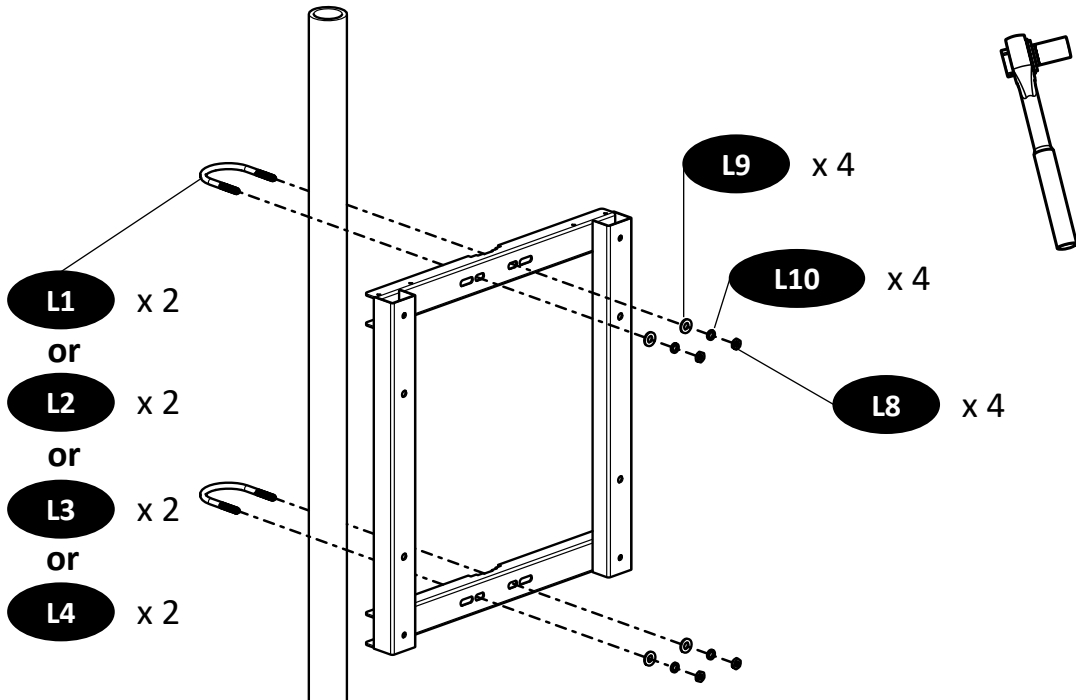
- **Mark the Storm Shell Back in the 4 indicated hole locations.**

2-3 Mount Storm Shell Back



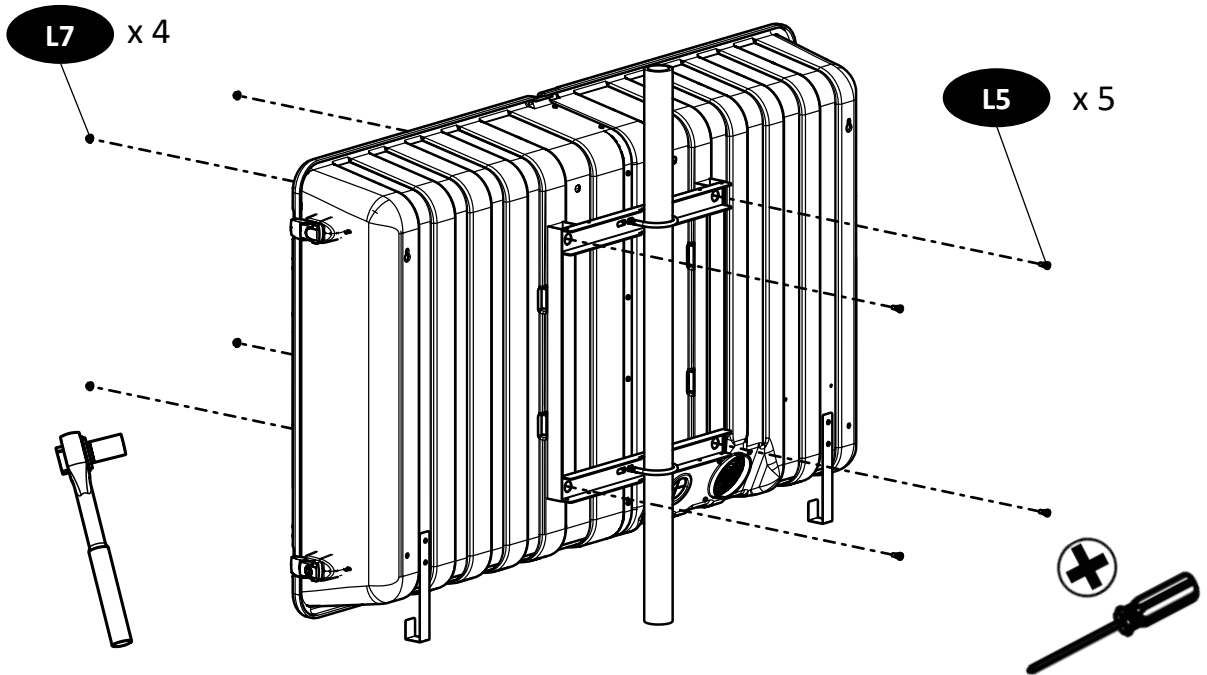
- **Remove the Storm Shell Pole Mount and drill the 4 marked locations with a 1/4" (7mm) drill bit.**

2-4 Mount Storm Shell Back

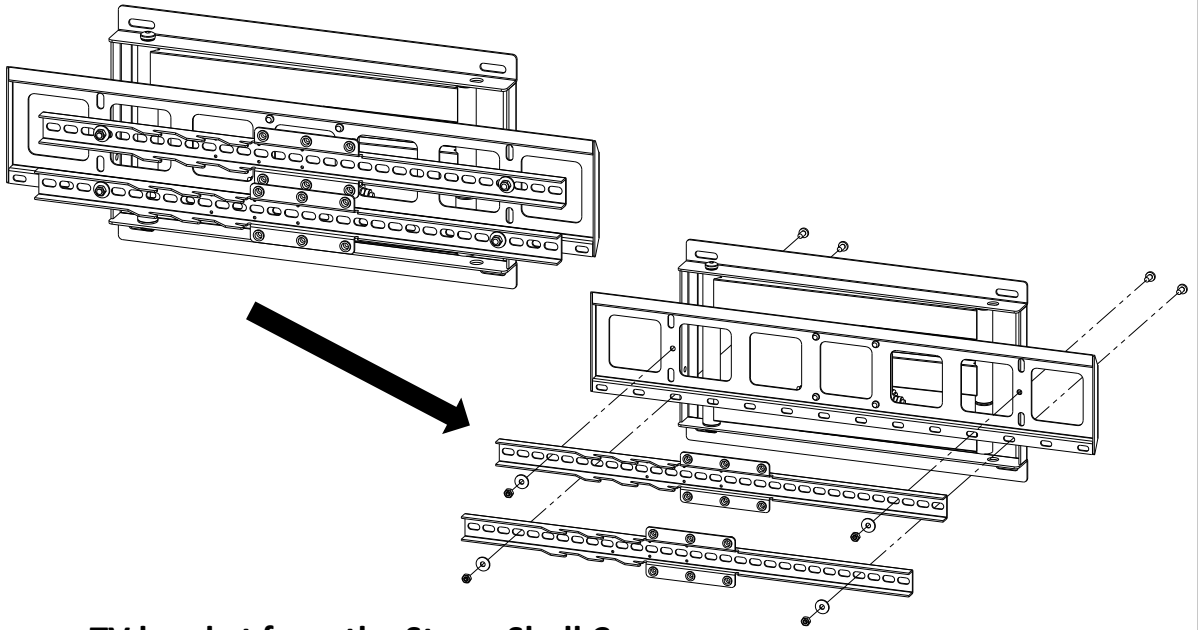


- Select the smallest U-bolts that fit the pole and attach the Pole Mount at the desired location.

2-5 Mount Storm Shell Back

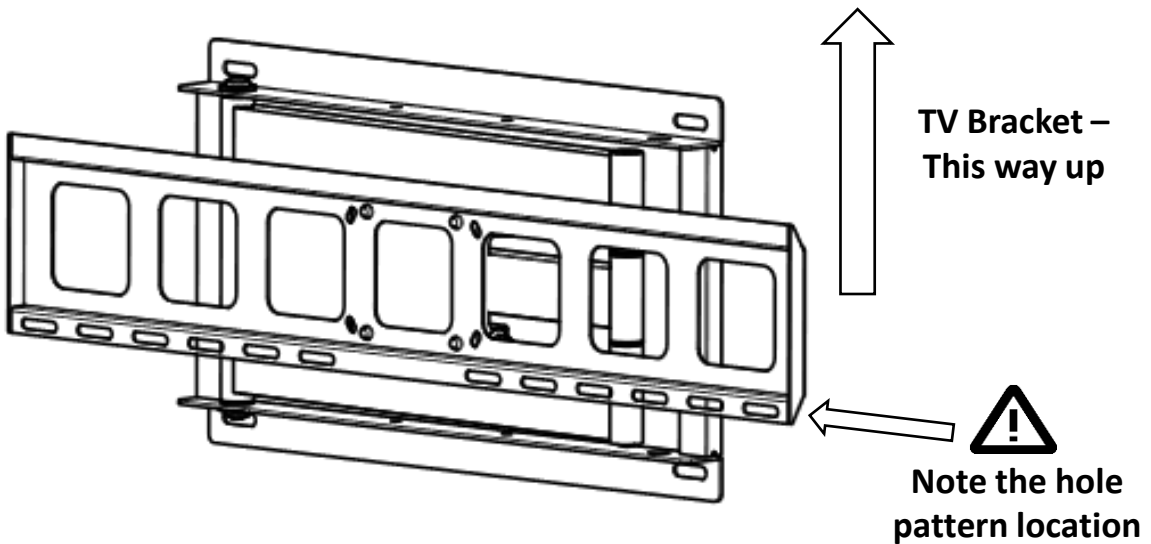


2-6 Separate Vertical Brackets from TV Bracket



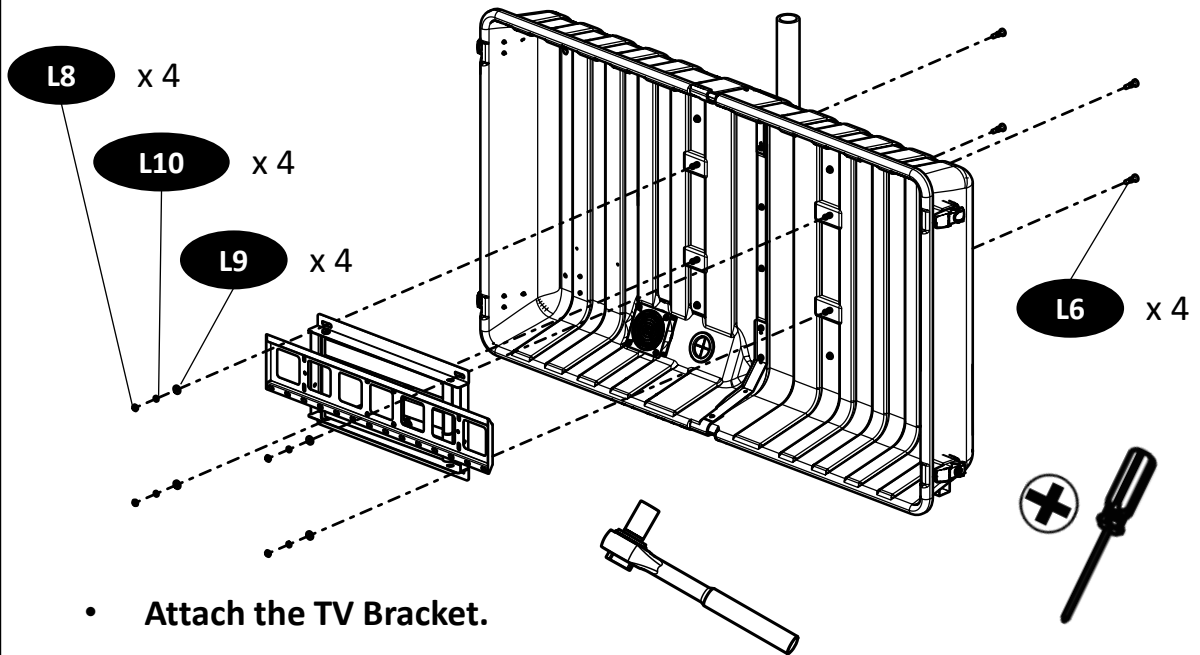
- TV bracket from the Storm Shell Cover.

2-7 Note the TV Bracket Orientation

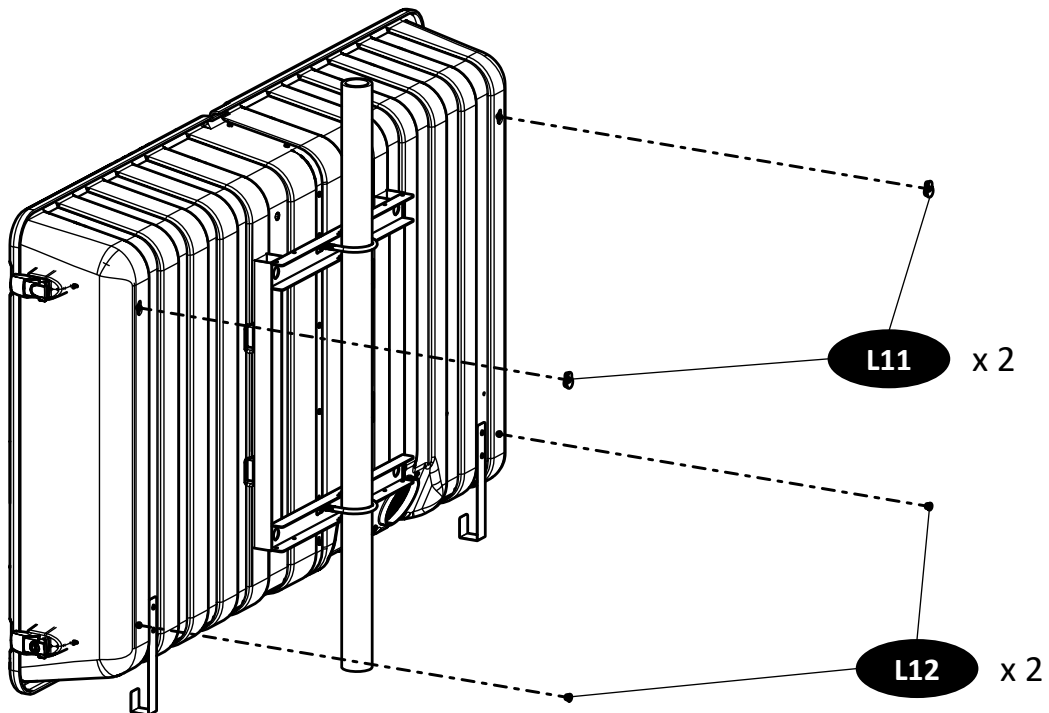


- Rotate the TV bracket joints, if needed, to match this orientation.

2-8 Mount TV Bracket



2-9 Mount Storm Shell Back



- Install the L11 and L12 hole plugs in the Storm Shell Back in the unused wall mount holes.

Step 3 – Complete your Storm Shell Assembly

3-1 Complete your Storm Shell Assembly

- **Follow all steps after Step 2 in your Storm Shell owner's manual.**