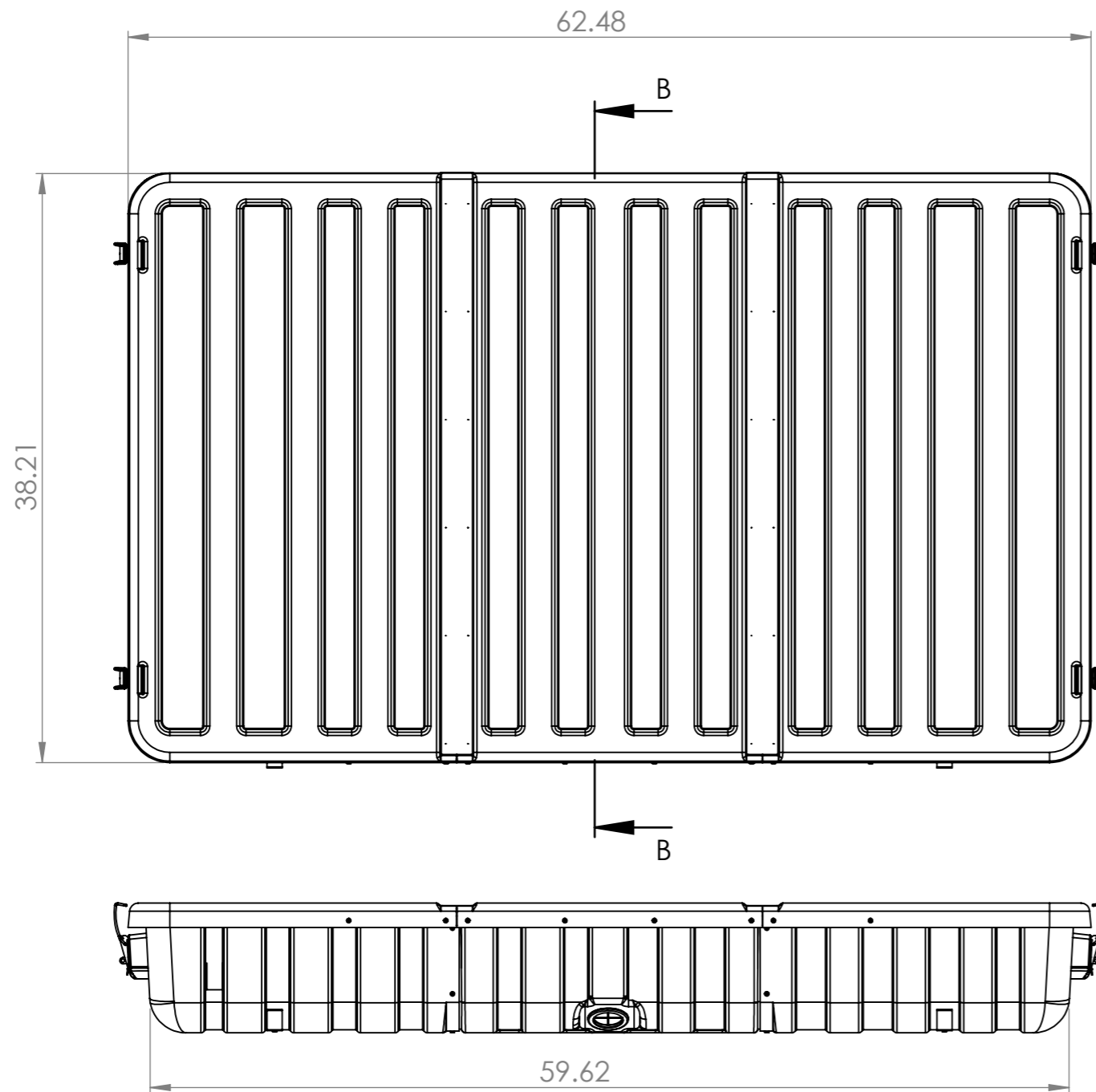


UNLESS OTHERWISE SPECIFIED: DIMENSIONS ARE IN MILLIMETERS SURFACE FINISH: TOLERANCES: LINEAR: ANGULAR:				FINISH:		DEBURR AND BREAK SHARP EDGES		DO NOT SCALE DRAWING		REVISION	
										TITLE:	
DRAWN				NAME		SIGNATURE		DATE			
CHK'D											
APPV'D											
MFG											
Q.A								MATERIAL:		DWG NO.	
										65 Storm Shell	
								WEIGHT:		SCALE:1:10	
										SHEET 1 OF 2	
										A3	



Max TV Depth up to 4.25"

SECTION B-B

TV DIMENSION REQUIREMENTS

MAX TV DEPTH	4.25"
MAX TV LENGTH	58.25"
MAX TV HEIGHT	34.5"

UNLESS OTHERWISE SPECIFIED: DIMENSIONS ARE IN MILLIMETERS SURFACE FINISH: TOLERANCES: LINEAR: ANGULAR:			FINISH:		DEBURR AND BREAK SHARP EDGES		DO NOT SCALE DRAWING		REVISION		
DRAWN						TITLE:					
CHK'D											
APPV'D											
MFG											
Q.A						MATERIAL:		DWG NO.		A3	
						WEIGHT:		SCALE:1:10		SHEET 2 OF 2	

65 Storm Shell