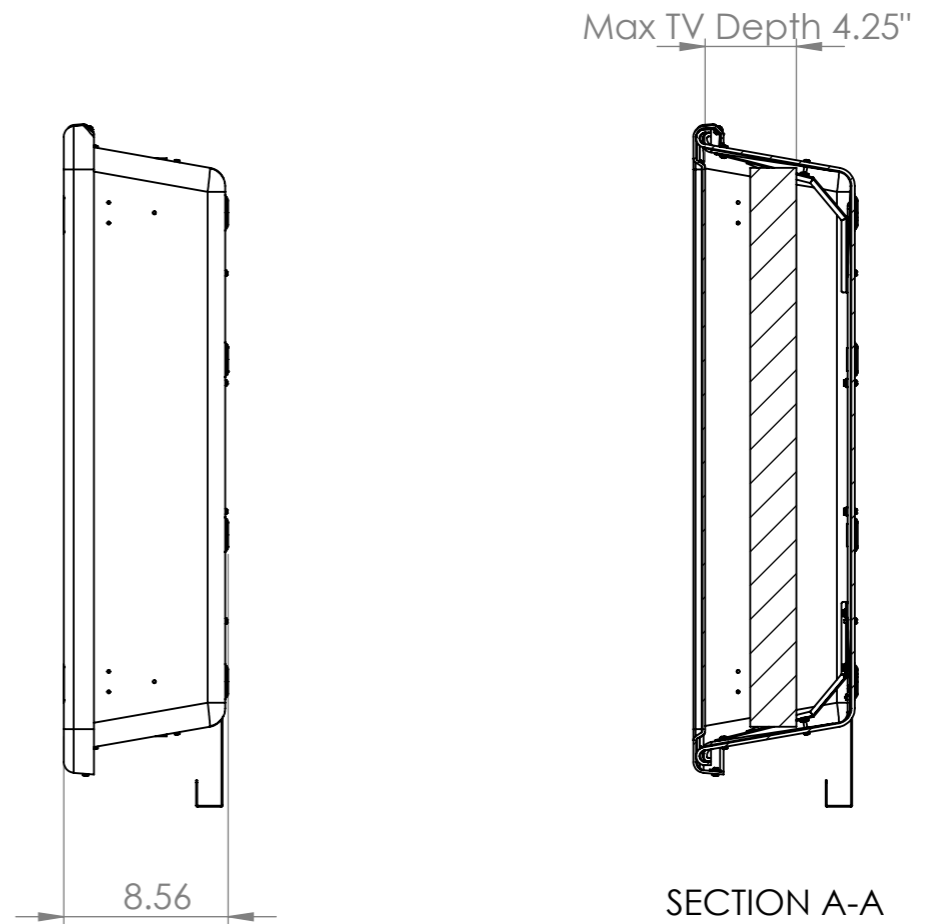
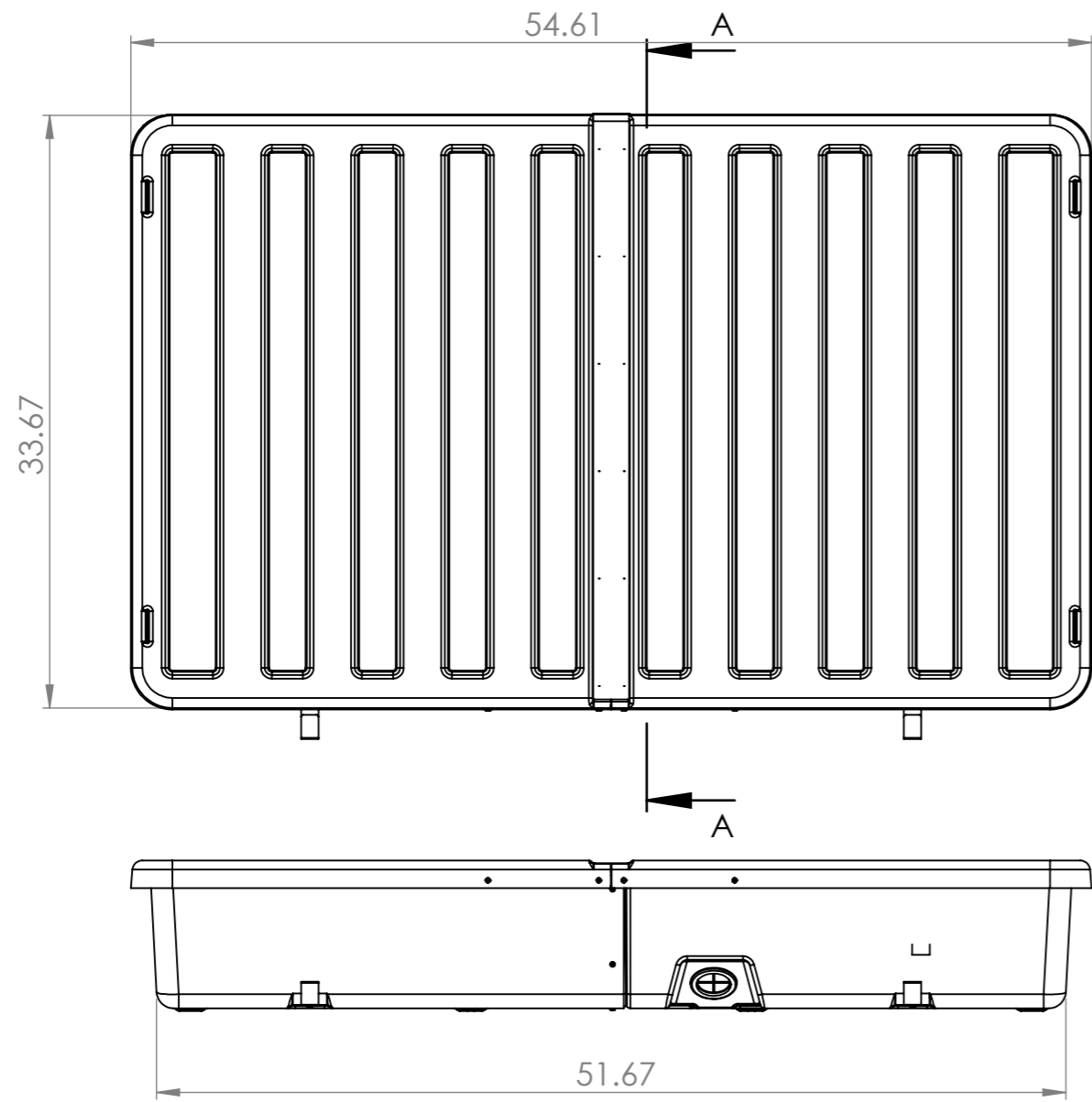


UNLESS OTHERWISE SPECIFIED: DIMENSIONS ARE IN MILLIMETERS SURFACE FINISH: TOLERANCES: LINEAR: ANGULAR:				FINISH:		DEBURR AND BREAK SHARP EDGES		DO NOT SCALE DRAWING		REVISION	
										TITLE:	
DRAWN				NAME		SIGNATURE		DATE			
CHK'D											
APPV'D											
MFG											
Q.A								MATERIAL:		DWG NO.	
										55 STORM SHELL	
								WEIGHT:		SCALE:1:10	
										SHEET 1 OF 2	
										A3	



TV DIMENSION REQUIREMENTS

MAX TV DEPTH	4.25"
MAX TV LENGTH	50.4"
MAX TV HEIGHT	30.10"

UNLESS OTHERWISE SPECIFIED: DIMENSIONS ARE IN MILLIMETERS SURFACE FINISH: TOLERANCES: LINEAR: ANGULAR:			FINISH:		DEBURR AND BREAK SHARP EDGES		DO NOT SCALE DRAWING		REVISION		
DRAWN			NAME			SIGNATURE			DATE		
CHK'D											
APPV'D											
MFG											
Q.A									MATERIAL:		
									WEIGHT:		
									TITLE:		
									DWG NO.		
									55 STORM SHELL		
									SCALE:1:10		
									SHEET 2 OF 2		

A3