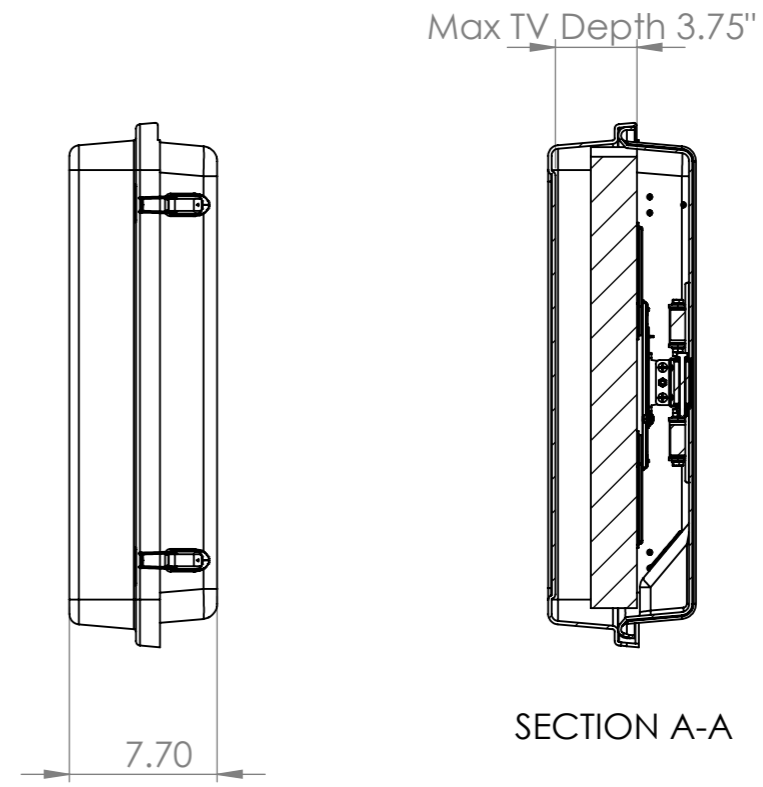
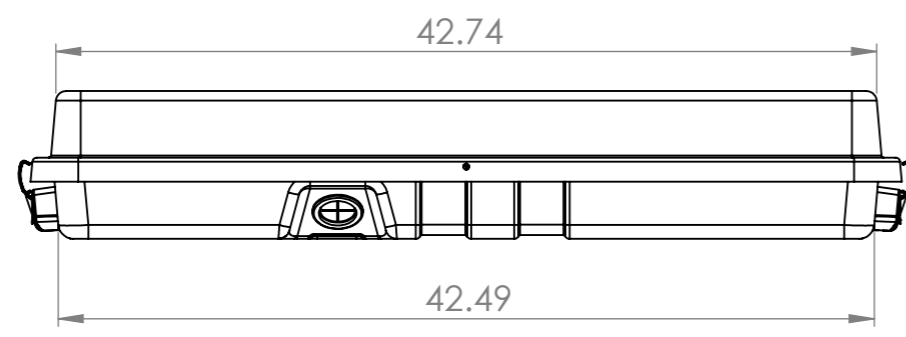
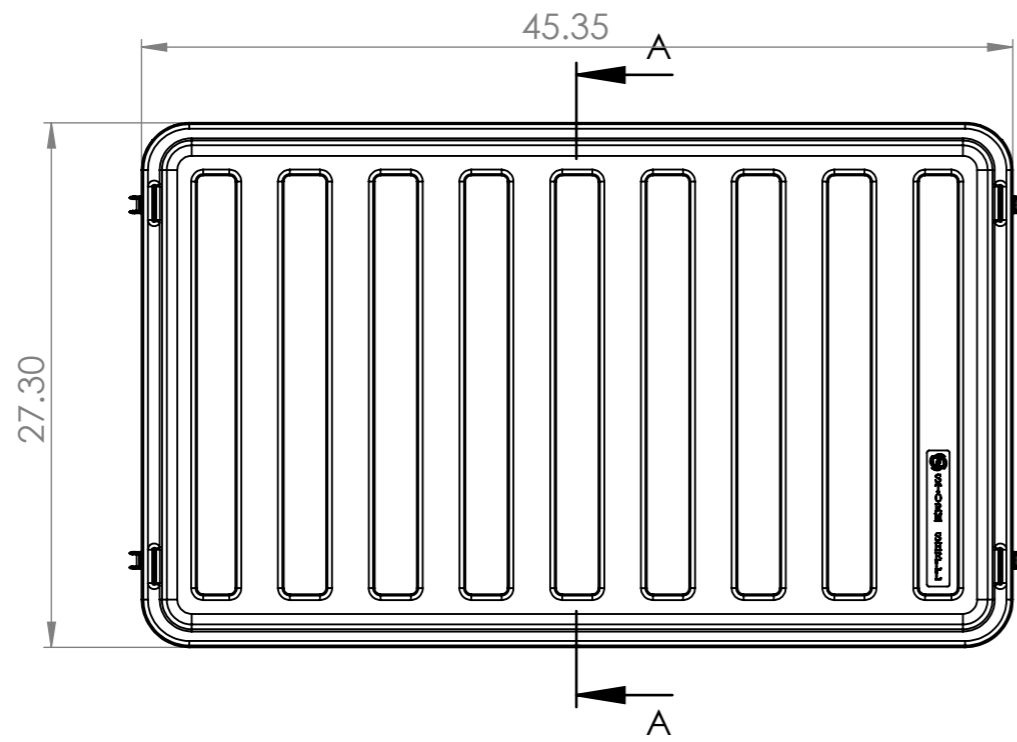


UNLESS OTHERWISE SPECIFIED: DIMENSIONS ARE IN MILLIMETERS SURFACE FINISH: TOLERANCES: LINEAR: ANGULAR:				FINISH:		DEBURR AND BREAK SHARP EDGES		DO NOT SCALE DRAWING		REVISION	
										TITLE:	
DRAWN				NAME		SIGNATURE		DATE			
CHK'D											
APPV'D											
MFG											
Q.A								MATERIAL:		DWG NO.	
										44 STORM SHELL	
								WEIGHT:		SCALE:1:10	
										SHEET 1 OF 2	
										A3	



TV DIMENSION REQUIREMENTS

MAX TV DEPTH	3.75"
MAX TV LENGTH	41.75"
MAX TV HEIGHT	23.50

UNLESS OTHERWISE SPECIFIED: DIMENSIONS ARE IN MILLIMETERS SURFACE FINISH: TOLERANCES: LINEAR: ANGULAR:			FINISH:		DEBURR AND BREAK SHARP EDGES		DO NOT SCALE DRAWING		REVISION		
DRAWN			NAME		SIGNATURE		DATE		TITLE:		
CHK'D											
APPV'D											
MFG											
Q.A							MATERIAL:		DWG NO.		
									44 STORM SHELL		
							WEIGHT:		SCALE:1:10		
									SHEET 2 OF 2		
									A3		