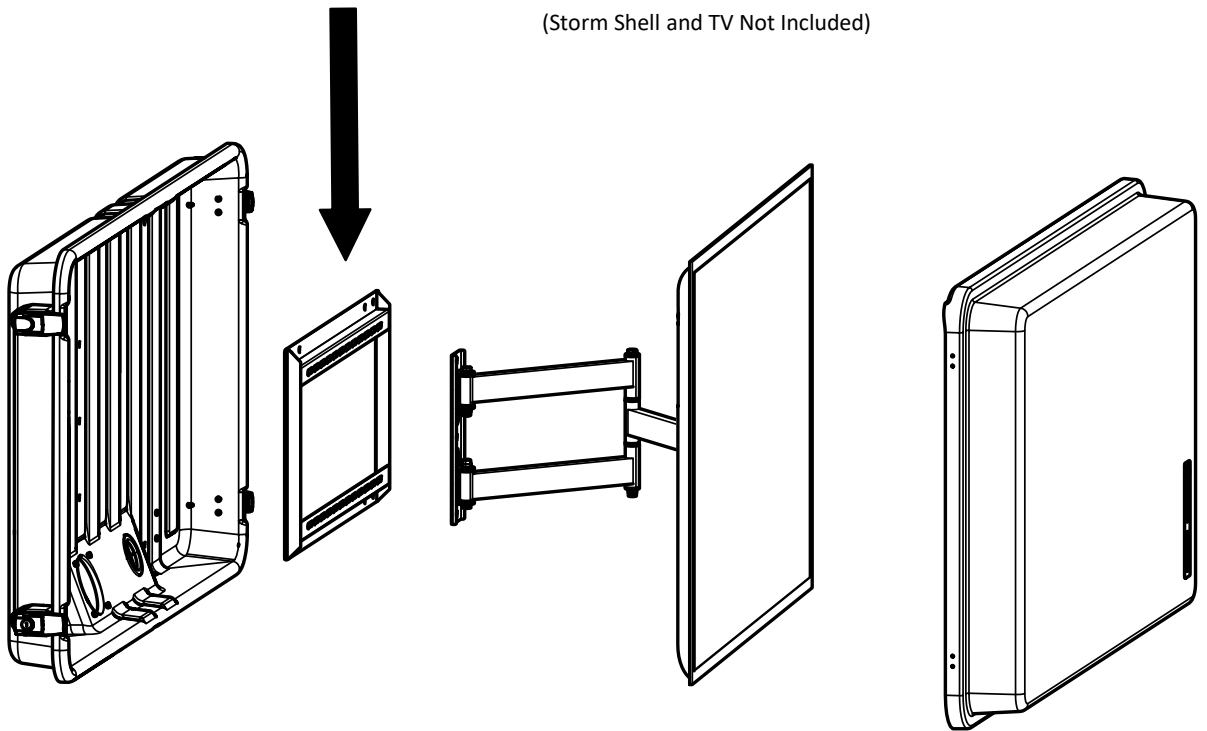




# ASSEMBLY & INSTALLATION INSTRUCTIONS

## 44" Storm Shell Adapter Mounting Plate

v 3.0



If you have any questions, please contact us at [cs@stormshelltv.com](mailto:cs@stormshelltv.com), or call (435) 752-6611  
Mon – Fri 9am – 5pm (MT)



# STOP

Please do not return to store.

## WE CAN HELP

Email: [cs@stormshelltv.com](mailto:cs@stormshelltv.com)

Call: (435) 752-6611 M–F 9am – 5pm (MT)

For Customer Service

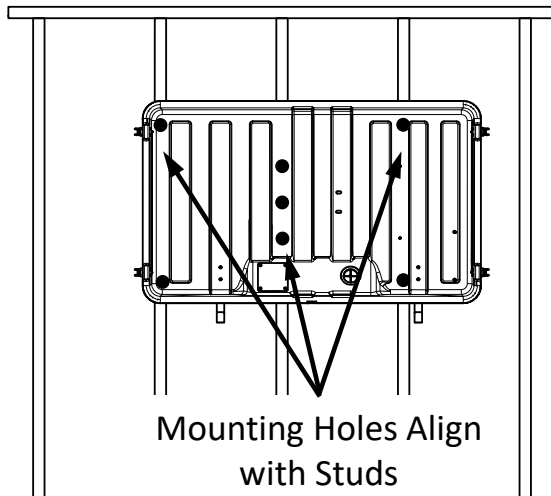


- If you need any assistance with your new item, please call us or you can email us your inquiries. We will be happy to assist and walk you through your assembly process.
- If you are missing any parts, we will ship them to you free of charge.
- Work in a spacious area near where the item will be used.
- Check your item list to make sure all your parts and hardware are included before you begin the assembly process.
- It is important to follow each step as instructed to avoid any unwanted obstacles.

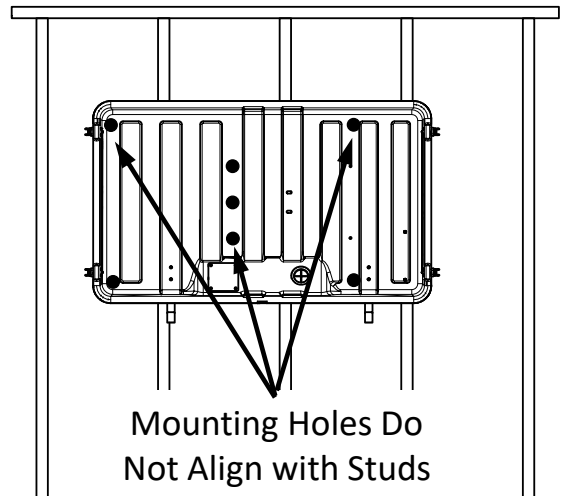
The 44 Storm Shell Adapter Plate is designed to be used with the 44" Storm Shell TV Hard Cover and TV Bracket. This instruction manual is a supplement to the Assembly and Installation Instructions for the Storm Shell TV Hard Cover and Wall Mount.

## Do you need this Adapter Mounting Plate?

- Concrete wall or hollow wall (not drywall) installation? – No
- Wood Stud installation with stud spacing different than 16 inch? – Yes
- Wood Stud installation with stud spacing = 16 inch? – Maybe...
  - The mounting holes must be placed over studs. If the Storm Shell placement is OK, then No Adapter Mounting Plate is required.
  - If you desire a different placement of the Storm Shell (left or right of the studs), an Adapter Mounting Plate is required.



**No Adapter Mounting Plate required.**



**Yes - Adapter Mounting Plate is required.**

## Weight Capacity

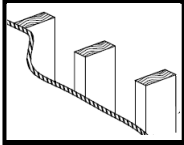
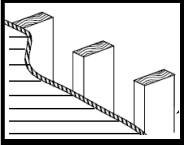
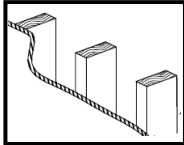

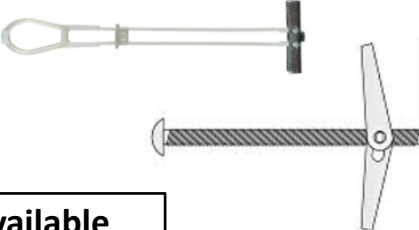
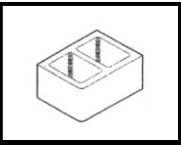
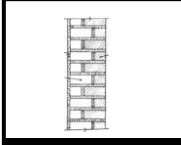
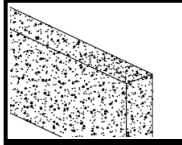
Maximum TV Weight  
(including accessories):



**CAUTION!**

**75 LBS MAX**

# Before getting started, let's make sure this 44 Storm Shell Adapter Plate will work for you!

<b>Wall Material</b>			
<p><b>Hardware <u>is</u> included for:</b></p> <ul style="list-style-type: none"> <li>• <b>Drywall over Wood Studs</b></li> <li>• <b>Outdoor Siding (aluminum, vinyl, stucco, brick veneer, etc.) installed over Wood Studs.</b></li> </ul>	 <p><b>YES!</b></p> <p>Drywall over wood studs?</p>	 <p><b>YES!</b></p> <p>Outdoor siding over wood studs?</p>	
<p><b>Hardware <u>is not</u> included for:</b></p> <ul style="list-style-type: none"> <li>• <b>Drywall over Metal Studs</b></li> </ul>	 <p><b>YES! w/ toggle bolts</b></p> <p>Drywall over metal studs?</p>	<div style="border: 1px solid black; padding: 5px; display: inline-block;">  <b>CAUTION!</b> DO NOT install into drywall alone!         </div> 	
<div style="border: 1px solid black; padding: 5px;"> <p><b>Good News! The 44" Storm Shell Adapter Plate can be installed on drywall over metal studs using <u>toggle bolts</u> (not included) to secure the 44" Adapter Plate to the wall. See installation instructions for size details.</b></p> </div>	<div style="border: 1px solid black; padding: 5px; display: inline-block;"> <p><b>Toggle Bolts are available at your local hardware store or online source.</b></p> </div>		
<p><b>Adapter Plate is NOT required for:</b></p> <ul style="list-style-type: none"> <li>• <b>C 90 Hollow Concrete Block</b></li> <li>• <b>Solid Concrete, structural brick, or masonry</b></li> </ul>	 <p>C90 Hollow Concrete block?</p>	 <p>Structural Brick or Masonry?</p>	 <p>Solid concrete?</p>
<div style="border: 1px solid black; padding: 5px; display: inline-block;"> <p><b>See your Storm Shell owner's manual for installation instructions.</b></p> </div>			

# Installation Tools (Not Included)

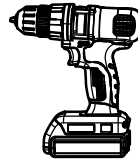
## All Installations



Tape Measure



Pen/Pencil



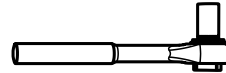
Power Drill



Phillips  
Screwdriver



Bubble Level

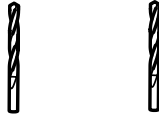


Socket Wrench

## Wood Stud Installation



Stud Finder



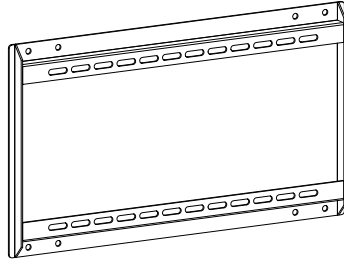
5/32" (4mm) and 1/4"  
(7mm) Wood Drill Bit

## Safety Caution

- Prior to installation of this product, the installation instructions should be read and completely understood to prevent personal injury and property damage. Keep these installation instructions in an easily accessible location for future reference.
- This mount and hard cover contains small parts which can act as a choking hazard if swallowed.
- CAUTION: The maximum TV load capacity is 75 lbs. (34 kg). Use with products exceeding the maximum load capacity may cause serious injury.
- The wall structure must be capable of supporting at least five times the maximum load capacity as indicated. If not, the wall must be reinforced.
- Do not mount on drywall or plywood alone.
- Do not install on a structure that is prone to vibration, movement or chance of impact. Failure to do so could result in damage to the display and/or damage to the mounting surface.
- Do not install near heater, fireplace, air conditioning or any other heat producing source. Failure to do so may result in damage to the display and/or the hard cover and could increase the risk of fire.
- Make sure no water or natural gas lines are present where the mount is to be installed. Cutting or drilling into water or natural gas lines could cause personal injury or property damage.
- Proper installation procedure by yourself or a qualified service technician, as outlined in the installation instructions, must be adhered to. Failure to do so could result in serious personal injury.
- When mounting to a wall that contains wood or metal studs, confirm the dead center of the stud prior to installation, it is recommended that the studs be a minimum of 16" apart (if applicable).
- It is recommended that two people perform the installation. Injury and/or damage can result from dropping or mishandling the display or hard cover.
- If you don't understand these installation instructions, please consult an installation specialist.

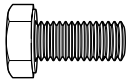
## Supplied Parts & Hardware

### 44 Storm Shell Adapter Plate



Adapter Plate (1 PC)

### 44 Storm Shell Adapter Plate Assembly Hardware



M8x18 Screw  
**A3** (2 PC)



M8 Spring Washer  
**B3** (2 PC)



M8 Washer  
**C3** (2 PC)



M8 Nut  
**D3** (2 PC)



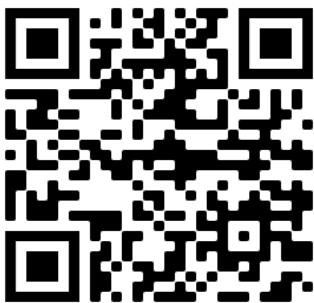
ST 8x60mm  
**E3** (4 PC)



CAUTION!

CHOKING  
HAZARD

## Assembly & Installation Video



Scan the QR Code for video link



## Step 1 – Prepare the Storm Shell

### 1-1 Prepare the Storm Shell

- Follow Step 1 in your Storm Shell owner’s manual to assemble your Storm Shell Back and Storm Shell Front.

## Step 2 – Attach Storm Shell Back to Wall using the 44 Adapter Plate



CAUTION!

Two people required for installation

Determine the wall material and wall supports. Wall supports are typically wood or metal studs, concrete, structural brick or masonry. Wall material (cladding) is typically drywall, siding (vinyl or aluminum), stucco, brick veneer.



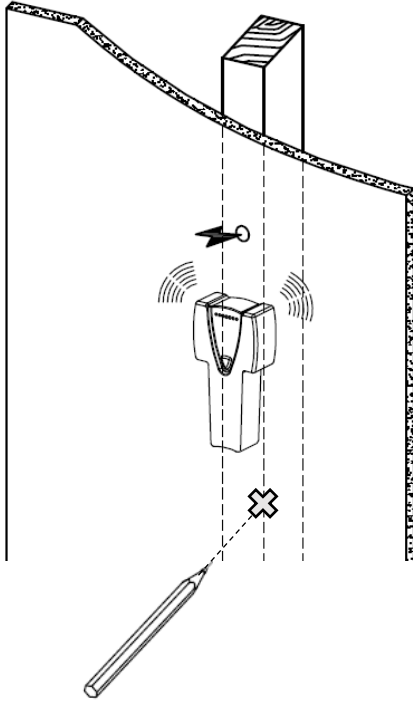
CAUTION!

The Storm Shell TV Wall Mount must be secured into concrete, structural brick or masonry, wood or metal studs. Do not mount directly into drywall or plywood.

- For wood stud installation with 16” spacing, follow STEP 2A
- For metal stud installation with 16” spacing, follow STEP 2B
- For wood stud installation with 20” spacing, follow STEP 2C
- For metal stud installation with 20” spacing, follow STEP 2D
- For solid concrete installation, follow your Storm Shell owner’s manual.
- For hollow wall installation (concrete block), follow your Storm Shell owner’s manual.

## Step 2A – Wood Stud Installation – 16” spacing

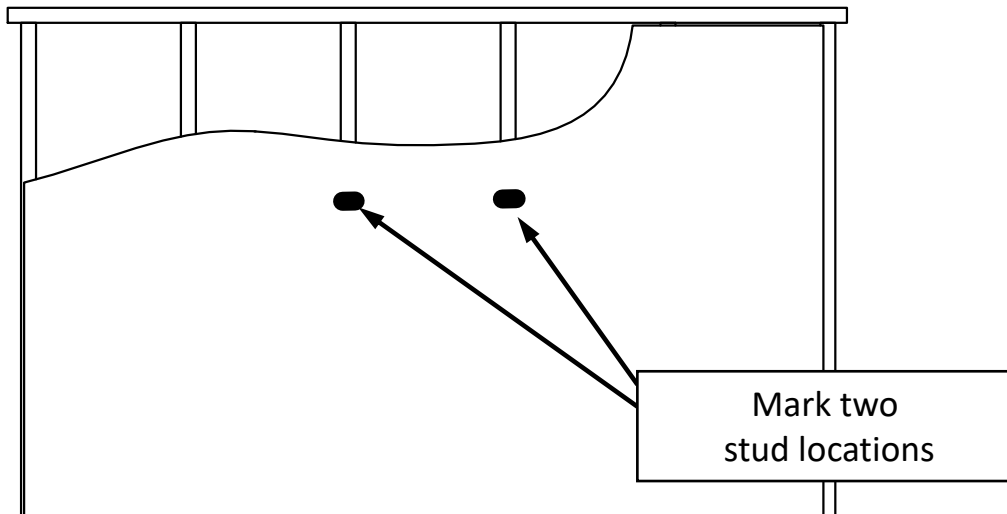
### 2A-1 Locate and mark wood studs



NOTE!

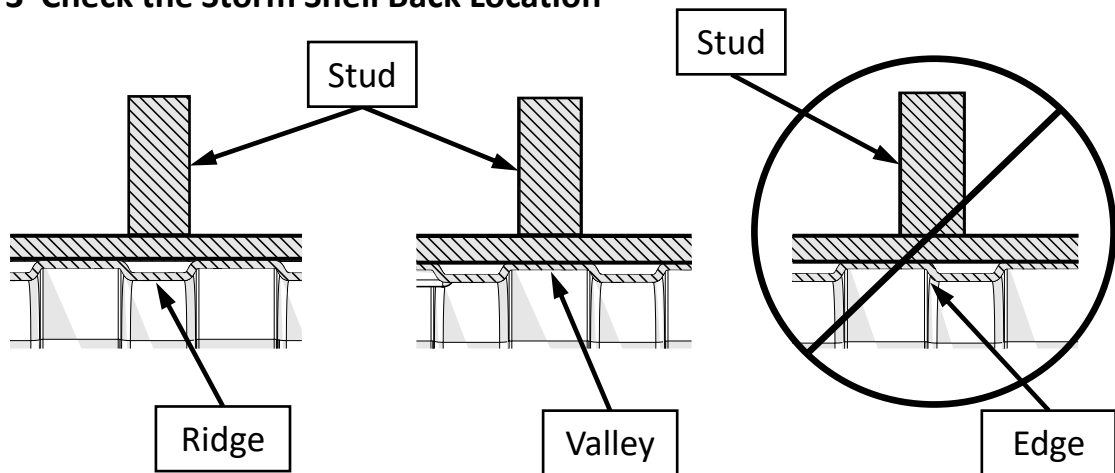
If the wall material is outdoor siding (vinyl or aluminum), stucco, or brick veneer; the wood studs may be difficult to locate with a stud finder due to several layers of construction cladding. You may need to locate the wood stud from the inside wall and use measurements to locate the wood stud on the outdoor wall.

### 2A-2 Locate and mark two studs (16” center) to mount the Storm Shell Back



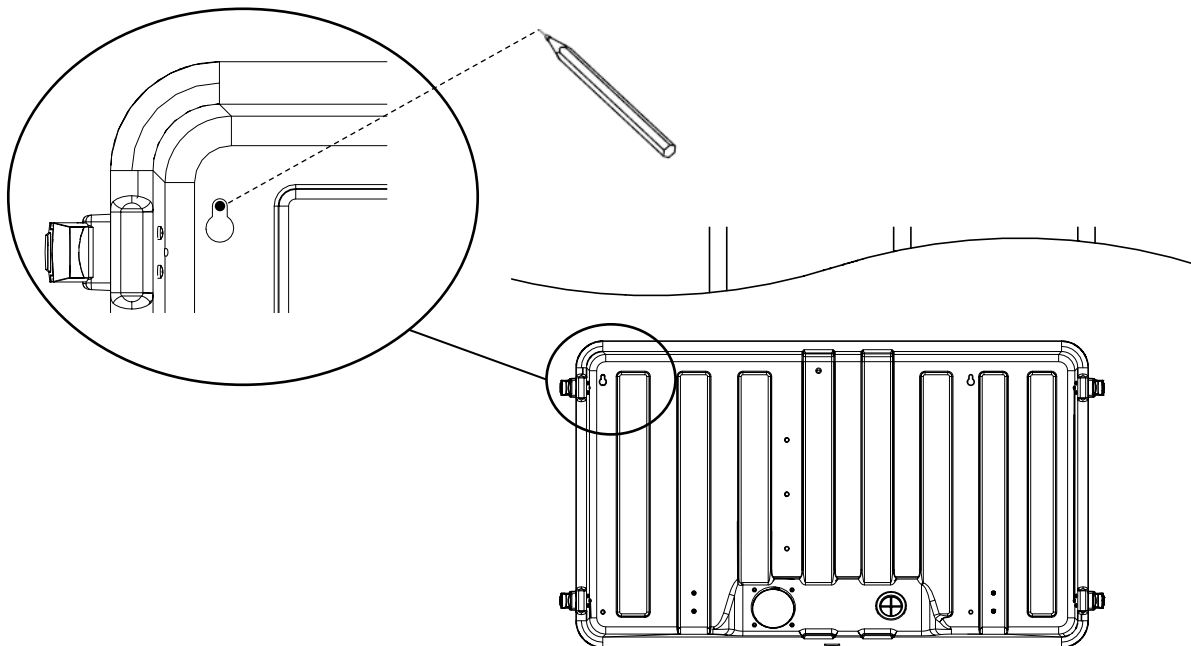
- Ensure the mark is visible above or below the Storm Shell Back when it is mounted.

## 2A-3 Check the Storm Shell Back Location



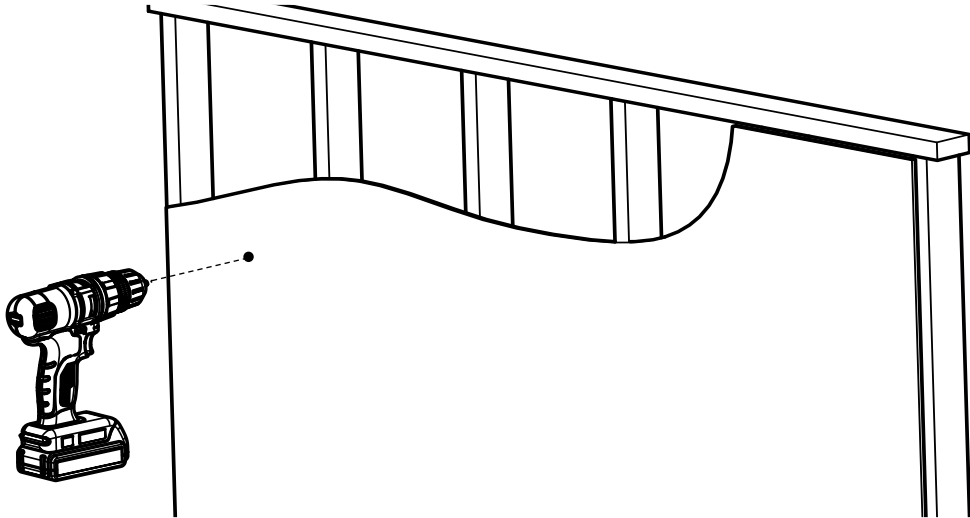
- Place the Storm Shell Back at desired installation location.
- Ensure that the center of the studs are aligned with the Storm Shell Back “ridge” or “valley”.
- The center of the studs should not align with an “edge” between a “ridge” and “valley”.

## 2A-4 Mount Storm Shell Back



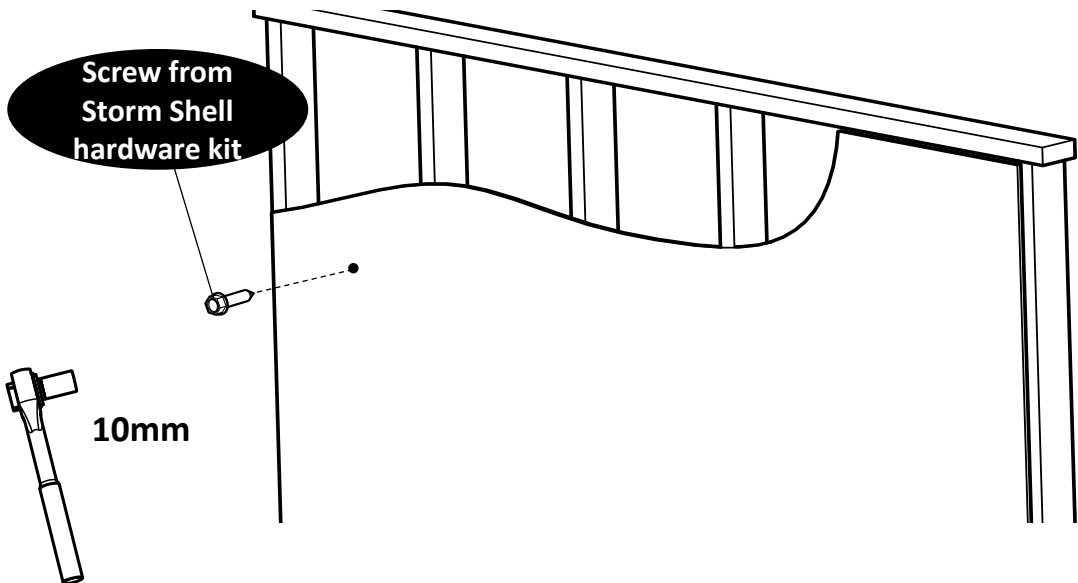
- Place the Storm Shell Back at desired installation location.
- Mark in the top of the left “key-hole”.

## 2A-5 Mount Storm Shell Back



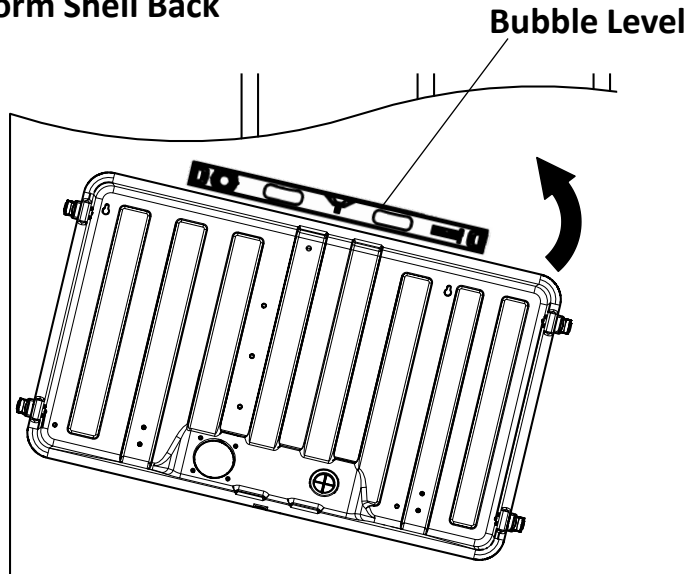
- Remove the Storm Shell Back and drill on the top left mark with 5/32" wood drill bit.

## 2A-6 Mount Storm Shell Back



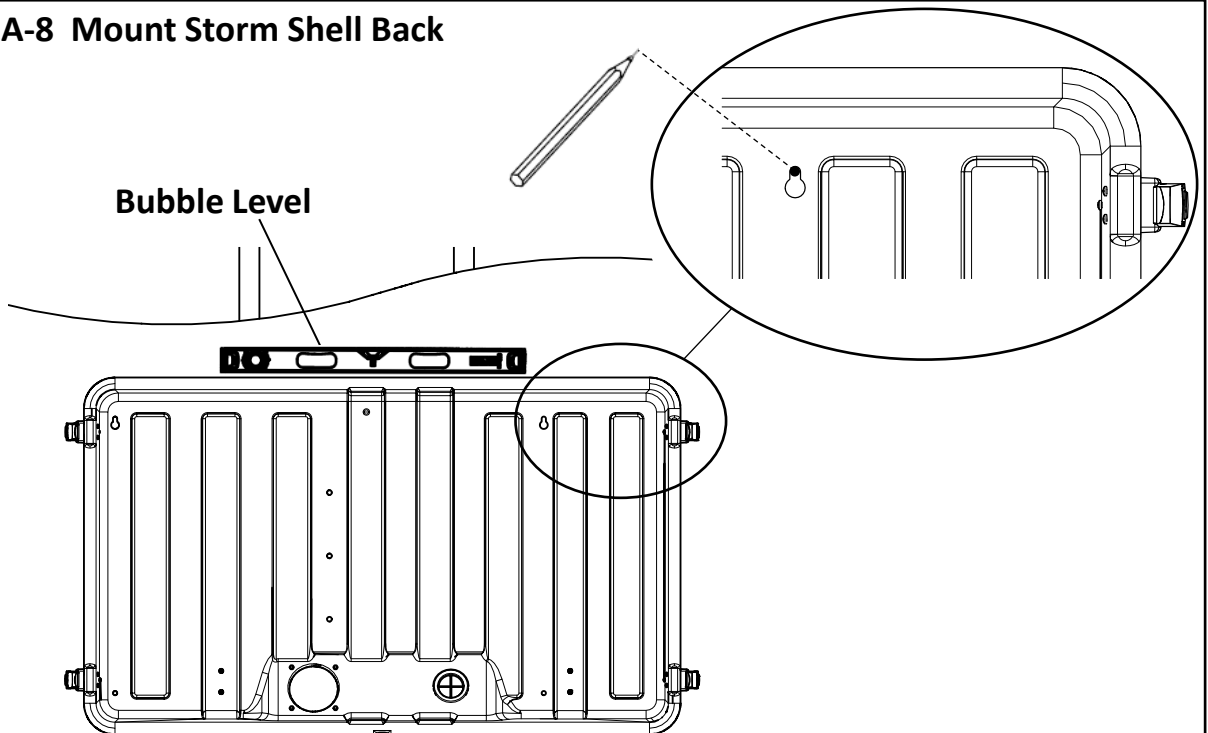
- Install a M6x30mm screw from the Storm Shell hardware kit in the drilled hole location (leave a small gap between screw head and wall) – use a 10mm socket.
- Note: To more firmly secure the screw into the wall, place a drywall anchor before placing the screw.

## 2A-7 Mount Storm Shell Back



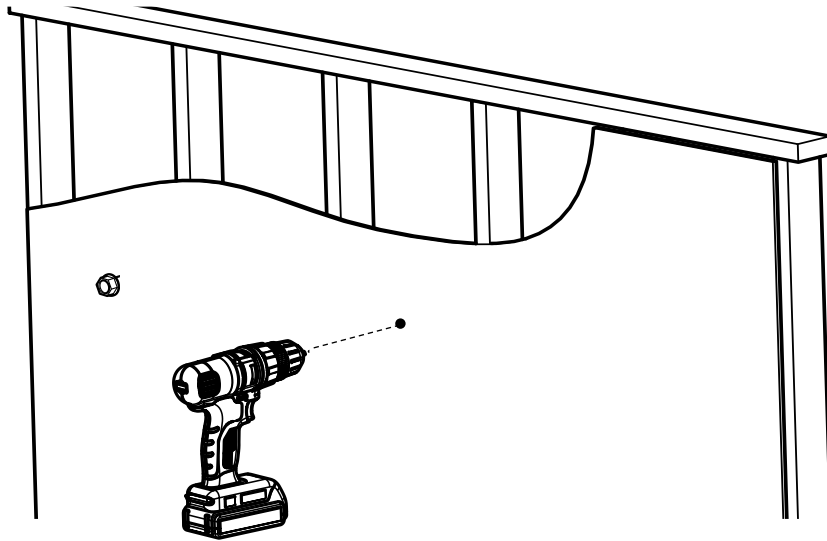
- Hang top left key-hole on the installed M6x30mm screw
- Place bubble level on the Storm Shell Back, swing so the enclosure is level.

## 2A-8 Mount Storm Shell Back



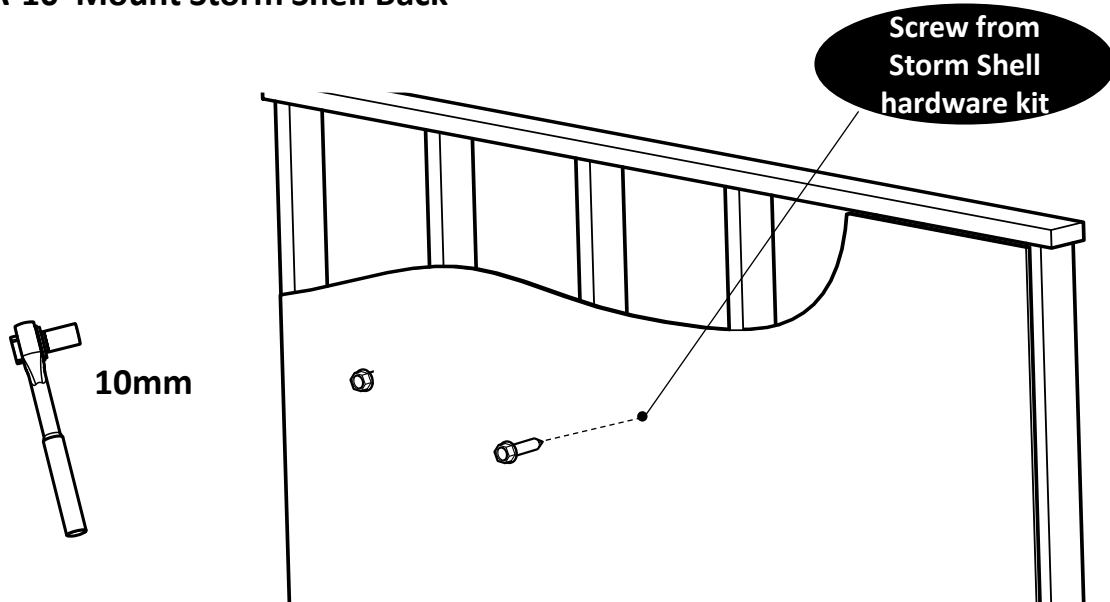
- With the enclosure level, mark in the top of the right “key-hole”.

## 2A-9 Mount Storm Shell Back



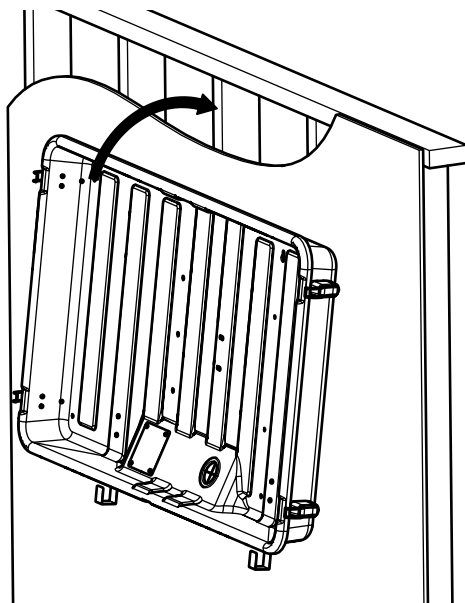
- Remove the Storm Shell Back and drill on the top right mark with 5/32" wood drill bit.

## 2A-10 Mount Storm Shell Back



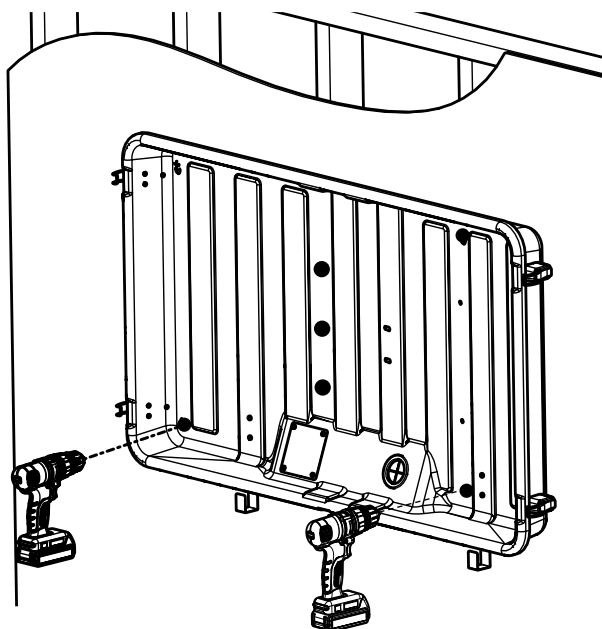
- Install a M6x30mm screw from the Storm Shell hardware kit in the drilled hole location (leave a small gap between screw head and wall) – use a 10mm socket.
- Note: To more firmly secure the screw into the wall, place a drywall anchor before placing the screw.

## 2A-11 Mount Storm Shell Back



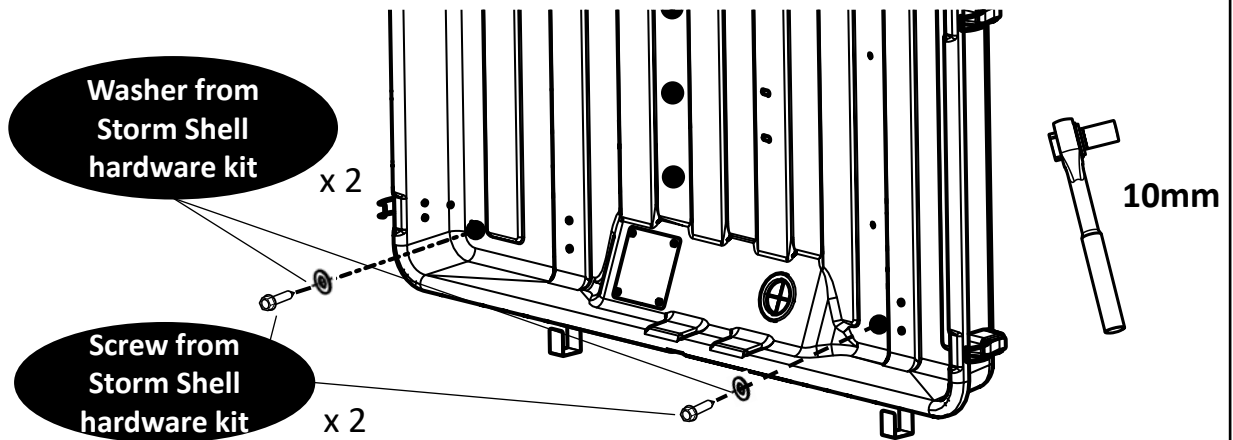
- Hang Storm Shell Back on the two M6x30mm screws previously mounted into the wall.

## 2A-12 Mount Storm Shell Back



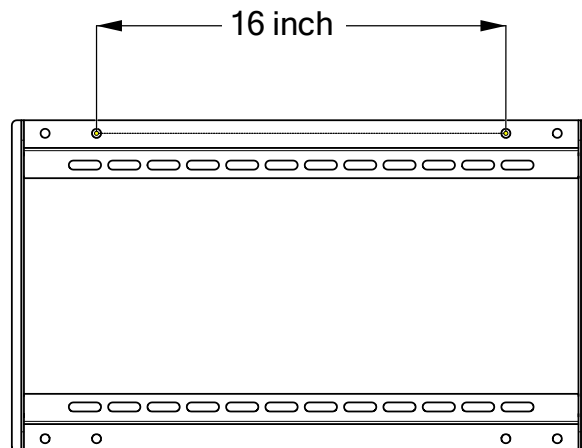
- Drill through the two lower mounting holes with 5/32" wood drill bit.

## 2A-13 Mount Storm Shell Back



- Install a M6x30mm screw and M6 washer from the Storm Shell hardware kit in the drilled hole locations – use 10mm socket.
- Tighten all four screws.
- Note: To more firmly secure the screws into the wall, place a drywall anchor before placing the screw.

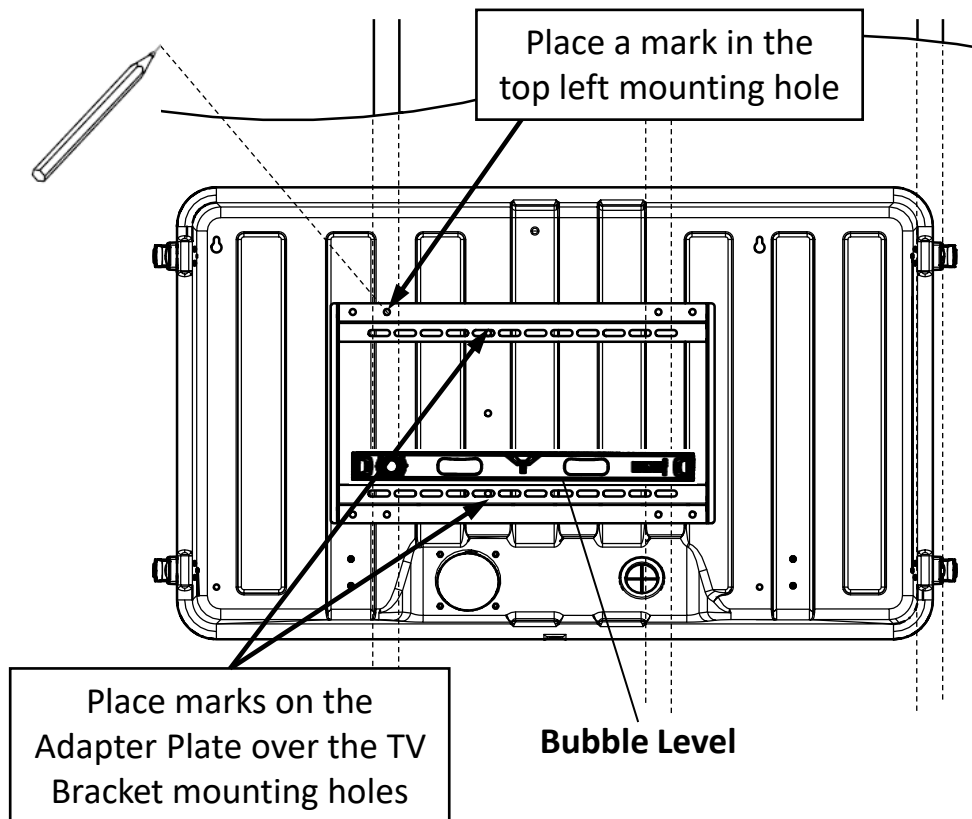
## 2A-14 Mount the Storm Shell Adapter Plate



- Note the location of the mounting holes on the Adapter Plate for 16-inch stud spacing.

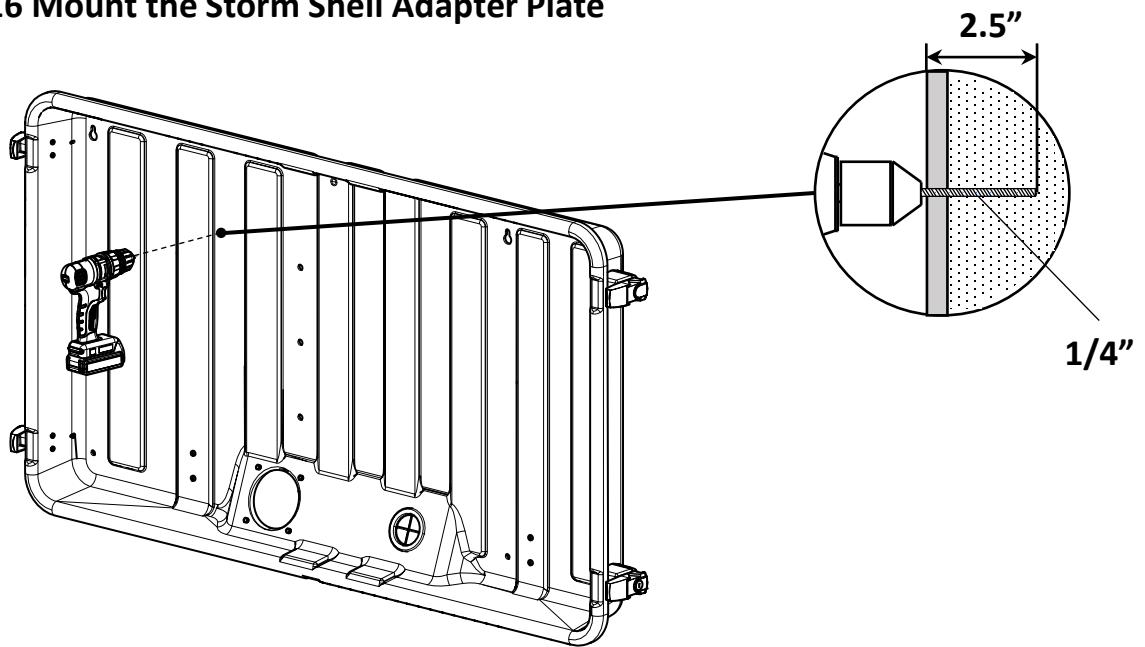


## 2A-15 Mount the Storm Shell Adapter Plate



- Place the Adapter Plate in a position where it spans two studs and covers the TV Bracket Mounting Holes. Use a bubble level to help place the Adapter Mounting Plate in position. The slotted holes on the Adapter Plate should align with the TV Bracket Mounting Holes on the Storm Shell Back.
- Mark on the Adapter Plate where the TV Bracket Mounting Holes are covered.
- Mark through the top left mounting hole of the Adapter Plate on to the Storm Shell Back.

## 2A-16 Mount the Storm Shell Adapter Plate



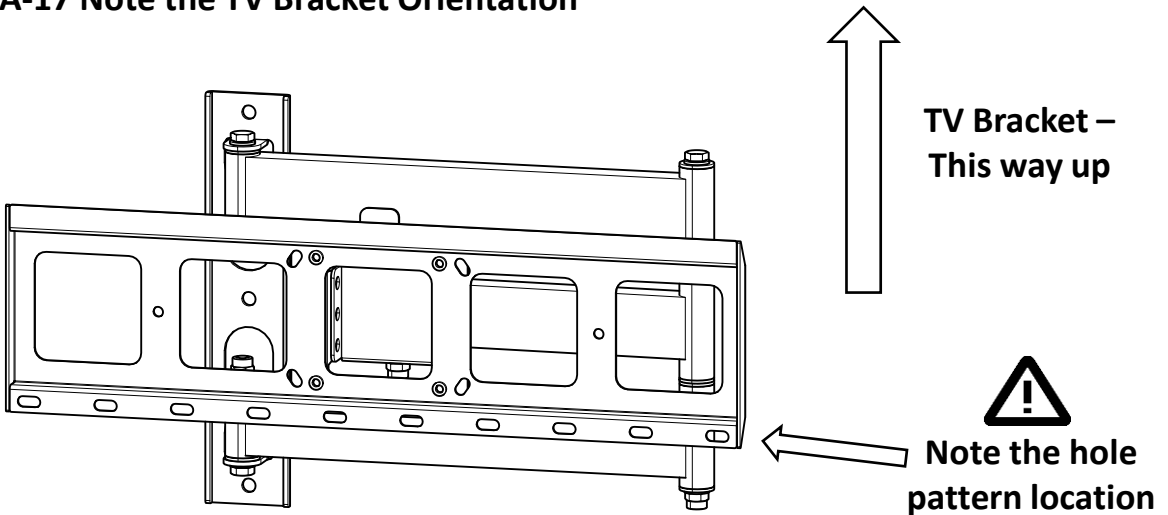
- **Drill through the Storm Shell Back and into the wall in the top left location marked in Step 2A-15 with a 1/4" wood drill bit. If installation is over drywall, drill 2.5" deep.**
- **Ensure the drilled hole is on a stud.**



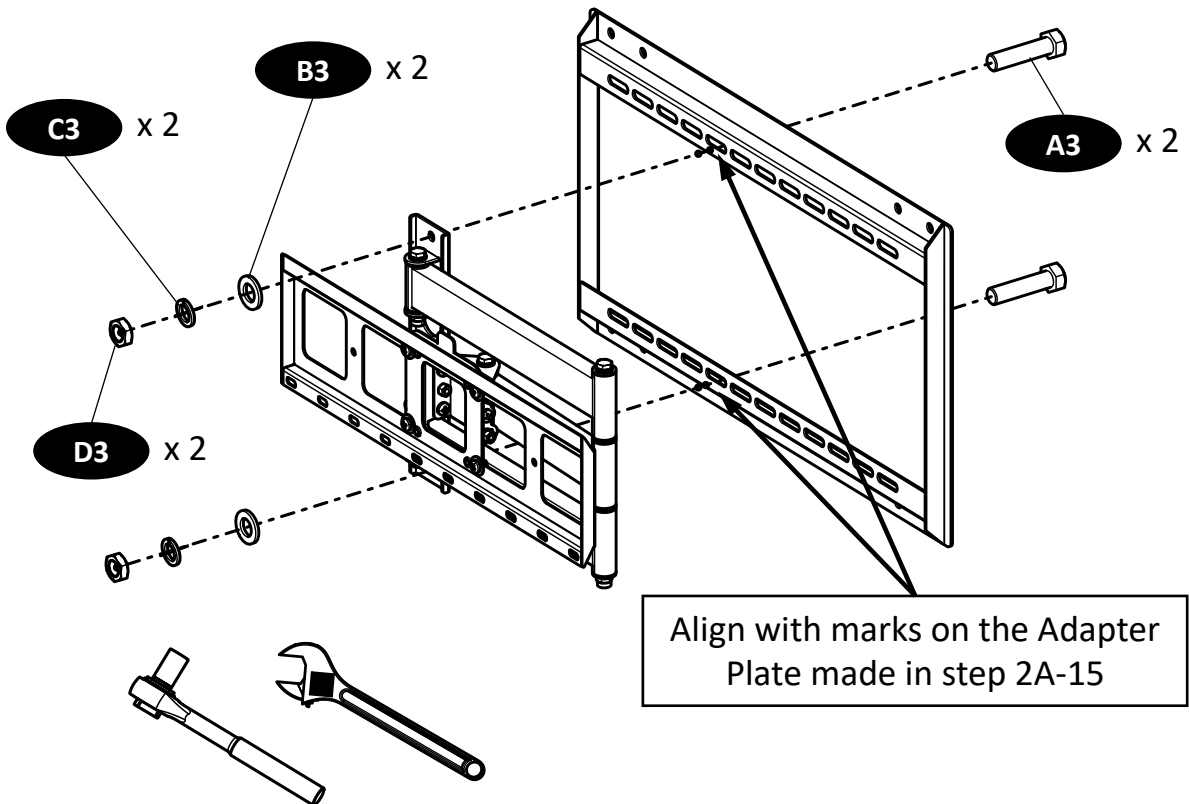
**Note!**

The lag bolts must penetrate the wood studs at least 1.5 inches deep. If wall material (siding, stucco, brick veneer) is too thick to allow this, longer lag bolts and deeper drilled holes will be required. 8mm, or 5/16" diameter lag bolts are adequate.

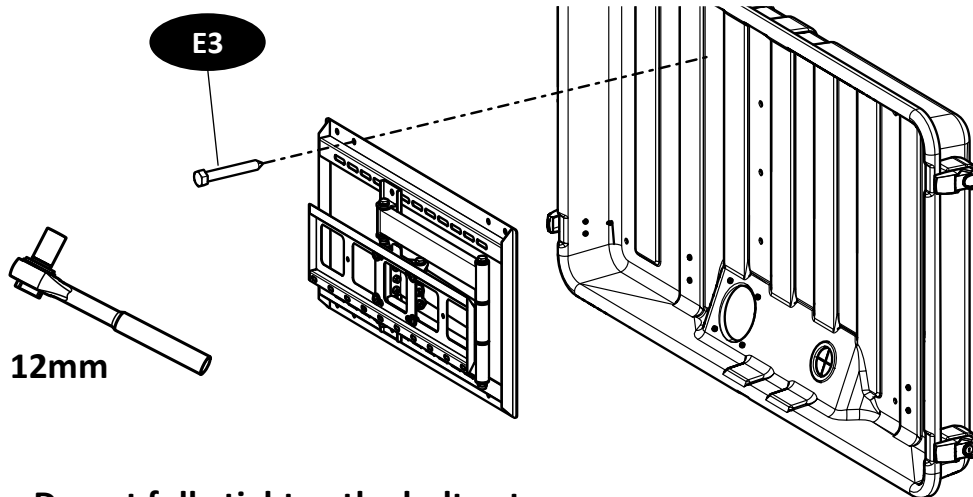
### 2A-17 Note the TV Bracket Orientation



### 2A-18 Attach the TV Bracket to the Adapter Plate

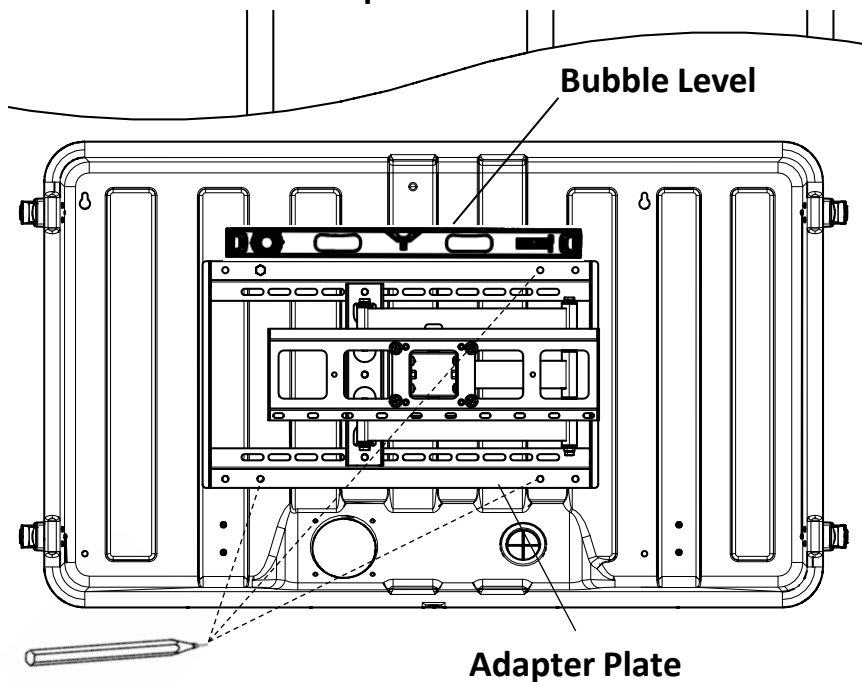


## 2A-19 Mount the Storm Shell Adapter Plate



- Do not fully tighten the bolt yet.

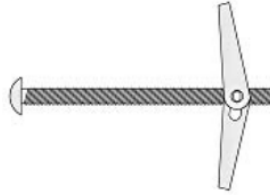
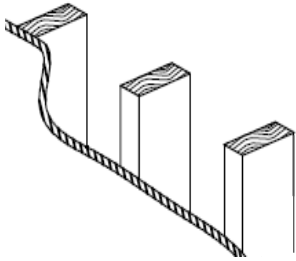
## 2A-20 Mount the Storm Shell Adapter Plate



- Use a Bubble Level to level the Adapter Plate against the Storm Shell Back. Once level, mark the Storm Shell Back through the three remaining Adapter Plate mounting holes.
- Repeat Step 2A-16 and 2A-19 to drill and place the remaining three E3 lag bolts to secure the Adapter Plate to the Storm Shell Back. Ensure that all lag bolts are secured firmly into a stud.

## Step 2B – Metal Stud Installation – 16” spacing

### 2B-1 Metal Stud Installation – 16” spacing



**Toggle Bolt**



**Strap Toggle Bolt**

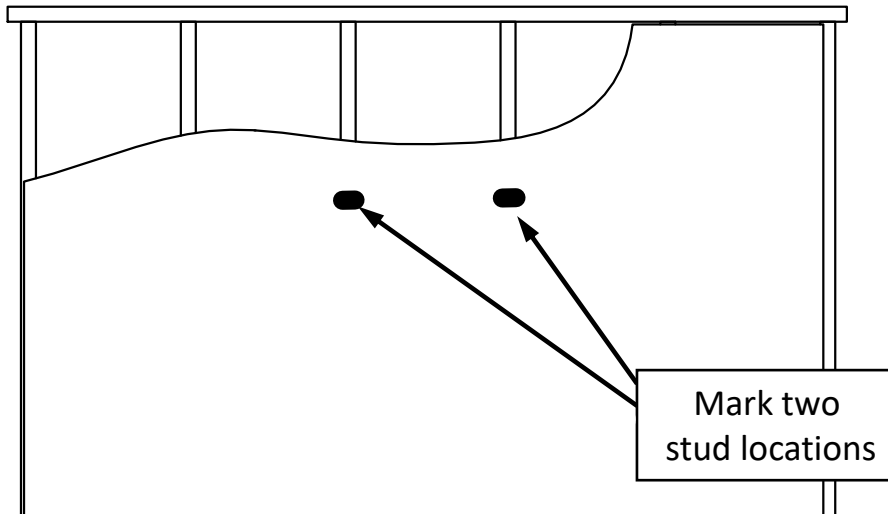
- Follow Step 2A except use Toggle Bolts (1/4” or 5/16”) in place of E3 lag bolts to attach the Adapter Plate. Use four Toggle Bolts to attach the Adapter Plate.
- Toggle Bolts or Strap Toggles are available at hardware stores or online.

## Step 2C – Wood Stud Installation – 20” spacing

### 2C-1 Locate and mark wood studs

- Follow Step 2A-1

### 2C-2 Locate and mark two studs (20” center) to mount the Storm Shell Back

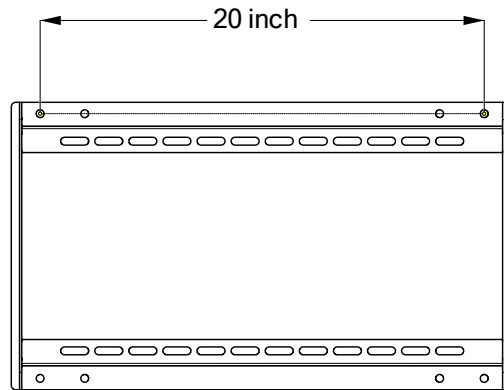


- Ensure the mark is visible above or below the Storm Shell Back when it is mounted.

### 2C-3

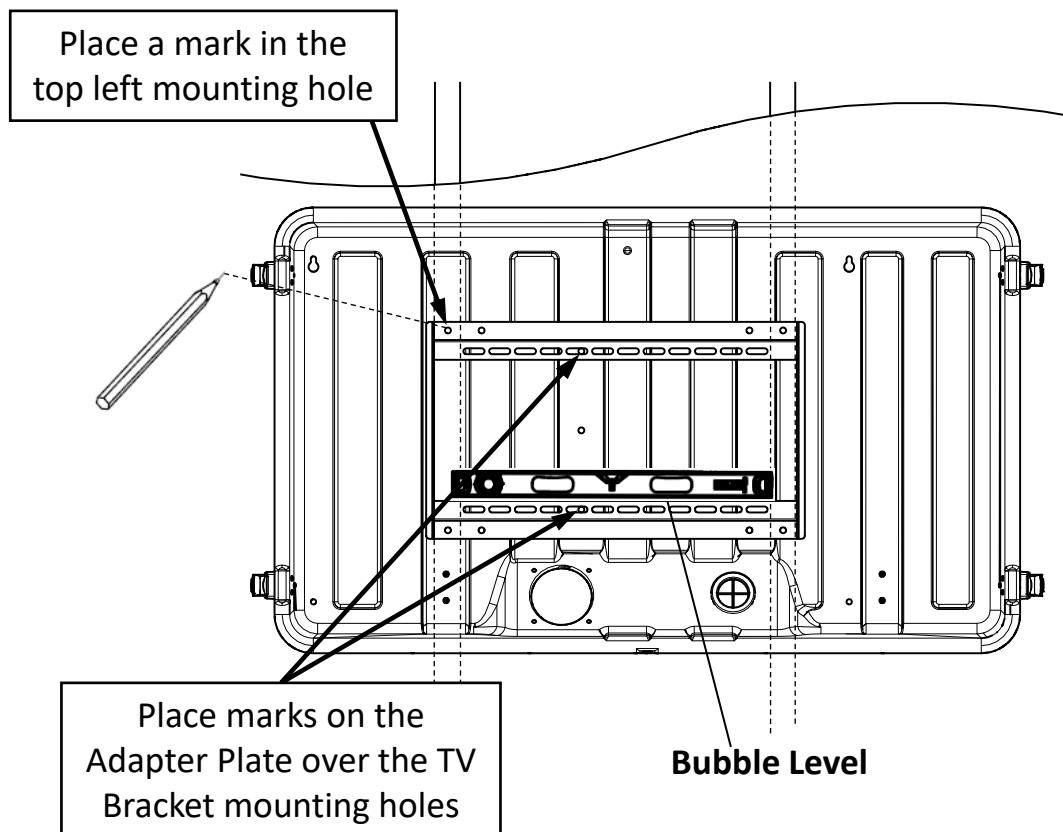
- Follow Steps 2A-3 thru 2A-13

## 2C-4 Mount the Storm Shell Adapter Plate



- **Note the location of the mounting holes on the Adapter Plate for 20-inch stud spacing.**

## 2C-5 Mount the Storm Shell Adapter Plate

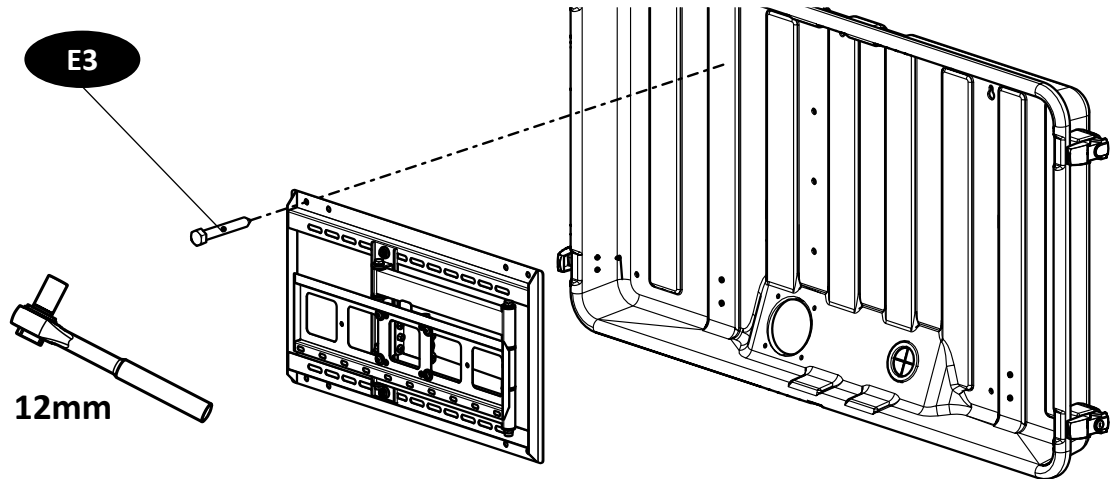


- **Follow Step 2A-15.**

## 2C-6

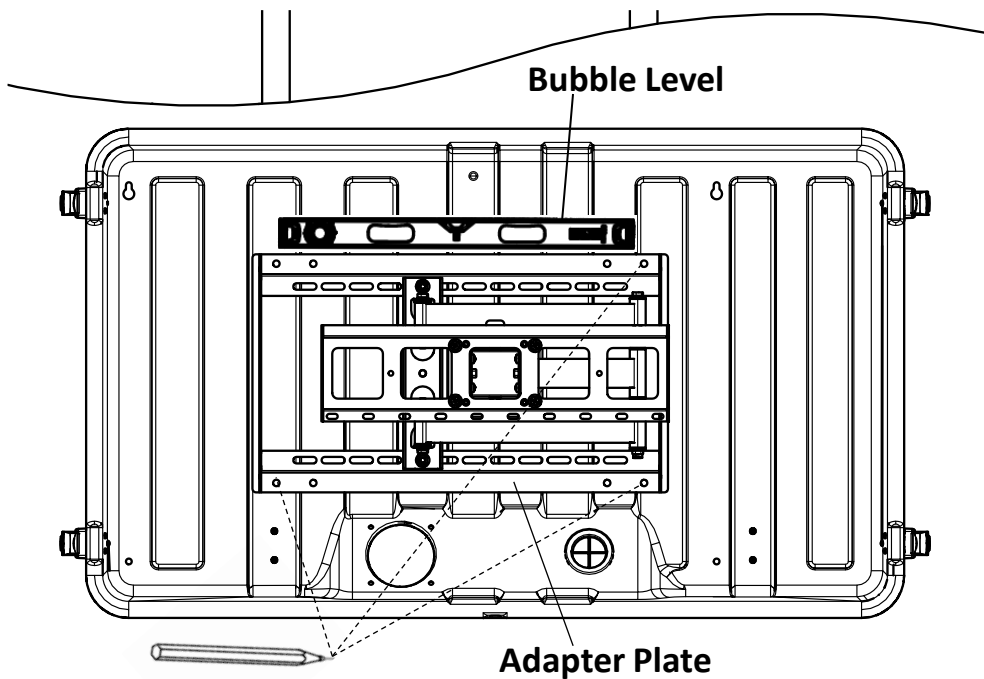
- Follow Step 2A-16 thru 2A-18.

## 2C-7 Mount the Storm Shell Adapter Plate



- Do not fully tighten the bolt yet.

## 2C-8 Mount the Storm Shell Adapter Plate

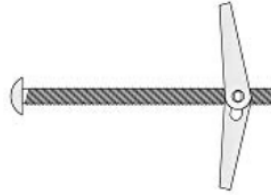
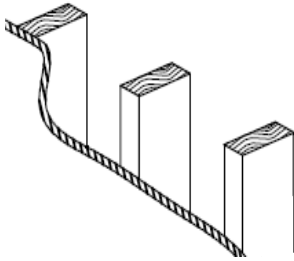


- Follow Step 2A-20 for the three remaining Adapter Plate holes and E3 lag bolts.



## Step 2D – Metal Stud Installation – 20” spacing

### 2D-1 Metal Stud Installation – 20” spacing



Toggle Bolt



Strap Toggle Bolt

- Follow Step 2C except use Toggle Bolts (1/4” or 5/16”) in place of E3 lag bolts to attach the Adapter Plate. Use four Toggle Bolts to attach the Adapter Plate.
- Toggle Bolts or Strap Toggles are available at hardware stores or online.

## Step 3 – Complete your Storm Shell Assembly

### 3-1 Complete your Storm Shell Assembly

- Follow all steps after Step 2 in your Storm Shell owner’s manual.