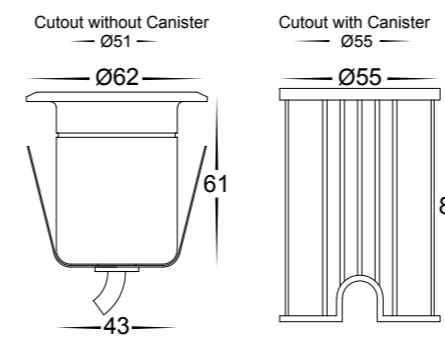
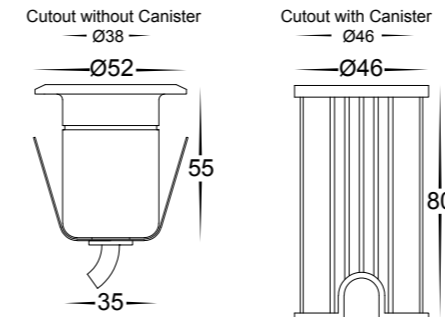


IMAGE	PART NUMBER	COLOUR TEMP	LUMENS	INPUT	INCLUDED LED
	<b>HV2881C-SLV</b>	5500K	270lm	12v DC	Built-in 3w
	<b>HV2881N-SLV</b>	4000K	250lm		
	<b>HV2881W-SLV</b>	3000k	240lm		
IMAGE	PART NUMBER	COLOUR TEMP	LUMENS	INPUT	INCLUDED LED
	<b>HV2881C-BLK</b>	5500K	270lm	12v DC	Built-in 3w
	<b>HV2881N-BLK</b>	4000K	250lm		
	<b>HV2881W-BLK</b>	3000k	240lm		
IMAGE	PART NUMBER	COLOUR TEMP	LUMENS	INPUT	INCLUDED LED
	<b>HV2882C-SLV</b>	5500K	450lm	12v DC	Built-in 5w
	<b>HV2882N-SLV</b>	4000K	420lm		
	<b>HV2882W-SLV</b>	3000k	400lm		
IMAGE	PART NUMBER	COLOUR TEMP	LUMENS	INPUT	INCLUDED LED
	<b>HV2882C-BLK</b>	5500K	450lm	12v DC	Built-in 5w
	<b>HV2882N-BLK</b>	4000K	420lm		
	<b>HV2882W-BLK</b>	3000k	400lm		

All low voltage products that specify an input of 12v or 24v DC must be used with a suitable LED driver, refer to pages 267 - 274  
Lumen output measured at source. All globes supplied with fittings are non dimmable. If you require 240v dimmable globes refer to page 336

### Elite Aluminium

- Inground / deck light
- Silver Coloured & Poly Powder Coated Black Aluminium
- IP Rating: IP65
- Adequate drainage must be allowed



All low voltage products that specify an input of 12v or 24v DC must be used with a suitable LED driver, refer to pages 267 - 274  
Lumen output measured at source. All globes supplied with fittings are non dimmable. If you require 240v dimmable globes refer to page 336