

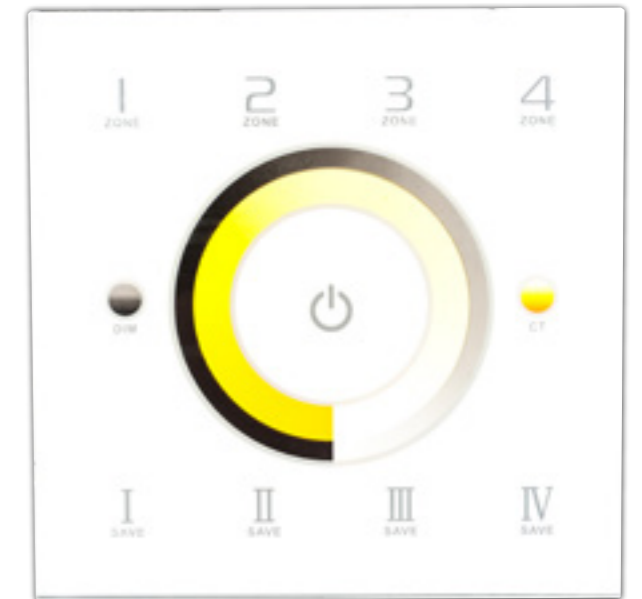


LED Strip Touch Panel Controllers

IMAGE	PART NUMBER	DESCRIPTION	POWER
	HV9101-DX5	<ul style="list-style-type: none"> Single Colour LED strip touch panel Suits Ecolamp Single Colour LED Strip Control up to 4 separate zones Input Voltage: 240v AC Output Signal: 2.4GHZ + DMX512 Transmitting Range: 30m approx Must be used with HV9103-R4-5A 	240v AC
	HV9101-DX7	<ul style="list-style-type: none"> Colour Temp (CT) LED strip touch panel Customise colour temp Suits Ecolamp CT LED Strip Control up to 4 separate zones Input Voltage: 240v AC Output Signal: 2.4GHZ + DMX512 Transmitting Range: 30m approx Must be used with HV9103-R4-5A 	240v AC
	HV9101-DX8	<ul style="list-style-type: none"> RGBC & RGBW wireless touch panel Suits Ecolamp RGBC & RGBW LED strip Able to control up to 4 separate zones Input Voltage: 240v AC Output Signal: 2.4GHZ + DMX512 Transmitting range approx. 30m Must be used with HV9103-R4-5A 	240v AC
	HV9103-R4-5A	<ul style="list-style-type: none"> Zone receiving controller 4 Channel Input Voltage: 12v DC or 24v DC Frequency: 2.4GHZ 	12v DC 240w 24v DC 480w



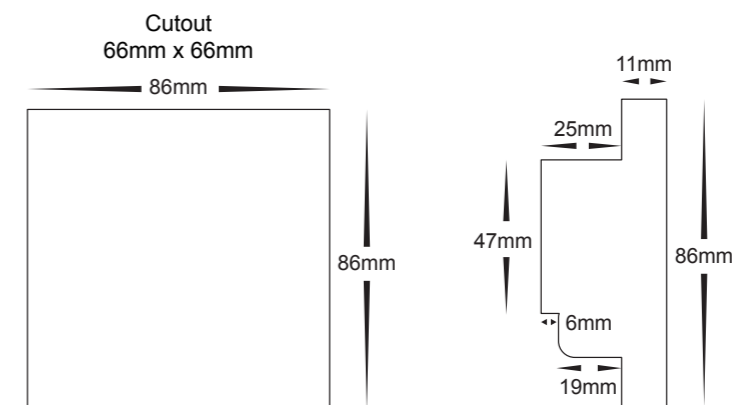
Single Colour
HV9101-DX5



Colour Temp (CT) 3000-5500K
HV9101-DX7



RGBC & RGBW
HV9101-DX8



All low voltage products that specify an input of 12v or 24v DC must be used with a suitable LED driver, refer to pages 267 - 274
Lumen output measured at source. All globes supplied with fittings are non dimmable. If you require 240v dimmable globes refer to page 336

All low voltage products that specify an input of 12v or 24v DC must be used with a suitable LED driver, refer to pages 267 - 274
Lumen output measured at source. All globes supplied with fittings are non dimmable. If you require 240v dimmable globes refer to page 336