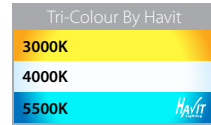


Taper Stainless Steel White

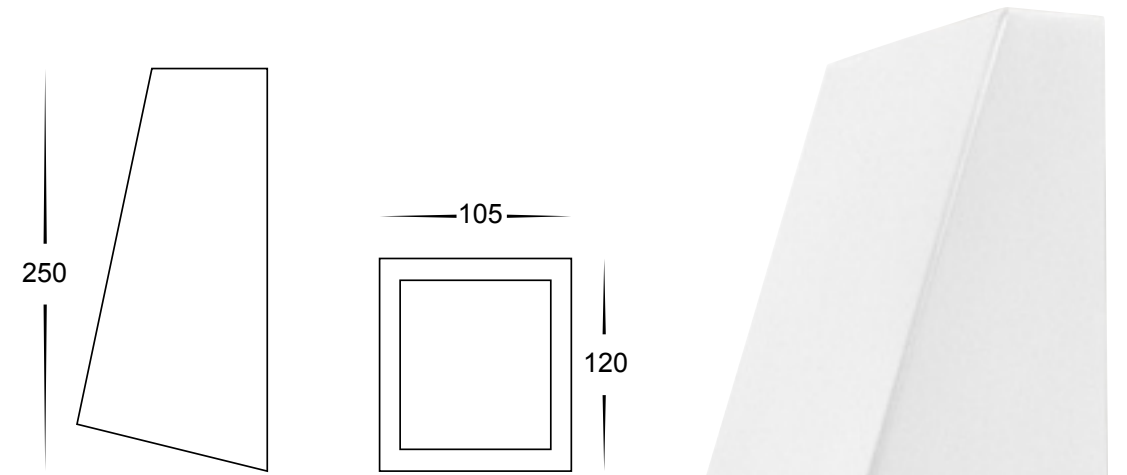
- Wall wedge
- Stainless Steel Poly Powder Coated White
- Frosted tempered glass
- IP Rating: IP44



Compatible with
Tri-Colour 9in1
 3w, 5w, 7w
 12v,24v or 240v LED Globe



| IMAGE | PART NUMBER | COLOUR TEMP | LUMENS | INPUT | INCLUDED LED |
|-------|--------------------|-------------------------|-------------------------|--------|----------------------------------|
| | HV3601T-WHT | 3000K 4000K 5500K | 700lm 720lm 740lm | 240v | Tri-Colour 9w E27 LED |
| IMAGE | PART NUMBER | COLOUR TEMP | LUMENS | INPUT | INCLUDED LED |
| | HV3602T-WHT | 3000K 4000K 5500K | 270lm 285lm 300lm | 240v | Tri-Colour 5w GU10 LED |
| IMAGE | PART NUMBER | COLOUR TEMP | LUMENS | INPUT | INCLUDED LED |
| | HV3605T-WHT | 3000K 4000K 5500K | 270lm 285lm 300lm | 12v DC | Tri-Colour 5w MR16 LED |
| IMAGE | PART NUMBER | COLOUR TEMP | LUMENS | INPUT | INCLUDED LED |
| | HV3608C-WHT | 5500K | 110lm | 12v DC | 1.5w SMD G4 Bi pin |
| | HV3608W-WHT | 3000k | 90lm | | |



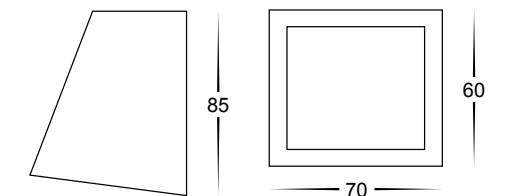
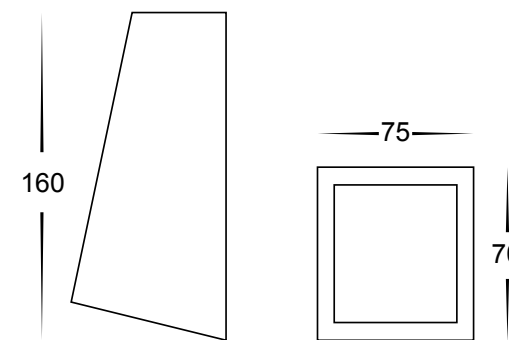
HV3601-WHT



HV3602-WHT/HV3605-WHT



HV3608-WHT



All low voltage products that specify an input of 12v or 24v DC must be used with a suitable LED driver, refer to pages 267 - 274
 Lumen output measured at source. All globes supplied with fittings are non dimmable. If you require 240v dimmable globes refer to page 336

All low voltage products that specify an input of 12v or 24v DC must be used with a suitable LED driver, refer to pages 267 - 274
 Lumen output measured at source. All globes supplied with fittings are non dimmable. If you require 240v dimmable globes refer to page 336