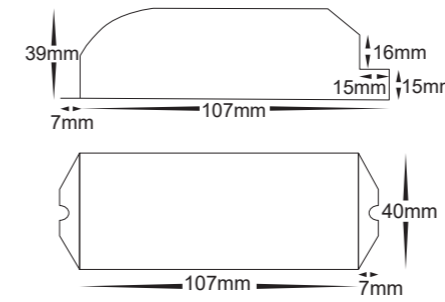


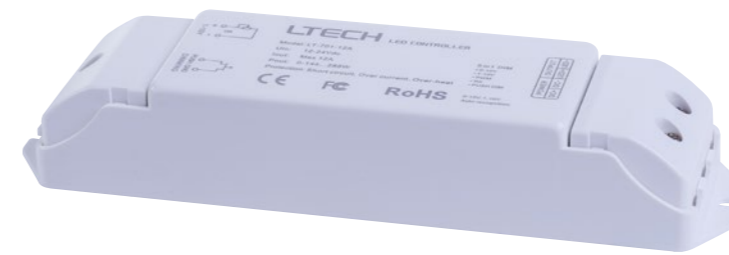


0-1/10v LED Strip Controllers

IMAGE	PART NUMBER	DESCRIPTION	POWER
	HV9106-LT-393-5A	<ul style="list-style-type: none"> • RGB • 0-1/10v RGB LED Strip Controller • Input Signal: 0-1/10v • Input Voltage: 12v DC or 24v DC 	12v DC 180w 24v DC 360w
	HV9106-LT-701-12A	<ul style="list-style-type: none"> • Single Colour • 0-1/10v LED Strip Controller • Dimming range: 0-100% • Input Signal: 0-1/10v • Input Voltage: 12v DC or 24v DC 	12v DC 144w 24v DC 288w
	HV9106-LT-704-5A	<ul style="list-style-type: none"> • RGBC & RGBW • 0-1/10v RGBC & RGBW LED Strip Controller • Input Signal: 0-1/10v • Input Voltage: 12v DC or 24v DC 	12v DC 240w 24v DC 480w



**0-1/10v RGB Controller
HV9106-LT-393-5A**



**0-1/10v Single Colour Controller
HV9106-LT-701-12A**



**0-1/10v RGBC & RGBW Controller
HV9106-LT-704-5A**



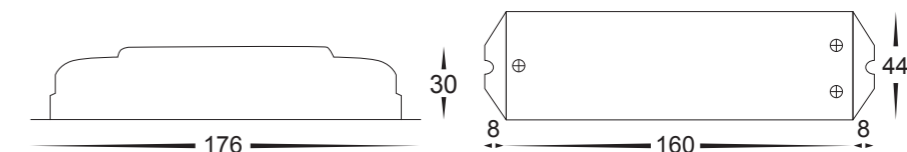
**Dali Single Colour Controller
HV9107-LT-401-12A**



**Dali RGB Controller
HV9107-LT-403-6A**



**Dali RGBC & RGBW Controller
HV9107-LT-404-5A**



Dali LED Strip Controllers

IMAGE	PART NUMBER	DESCRIPTION	POWER
	HV9107-LT-401-12A	<ul style="list-style-type: none"> • Single Colour • Dali LED Strip Controller • Dimming range: 0-100% • Input Signal: DALI digital dimming signal • Input Voltage: 12v DC or 24v DC • Output Signal: 0-1/10v 	12v DC 144w 24v DC 288w
	HV9107-LT-403-6A	<ul style="list-style-type: none"> • RGB • Dali RGB LED Strip Controller • Input Signal: DALI digital dimming signal • Input Voltage: 12v DC or 24v DC • Output Signal: 0-1/10v 	12v DC 216w 24v DC 432w
	HV9107-LT-404-5A	<ul style="list-style-type: none"> • RGBC & RGBW • Dali RGBC/RGBW LED Strip Controller • Input Signal: DALI digital dimming signal • Input Voltage: 12v DC or 24v DC • Output Signal: 0-1/10v 	12v DC 216w 24v DC 432w

All low voltage products that specify an input of 12v or 24v DC must be used with a suitable LED driver, refer to pages 315 - 324
Lumen output measured at source. All globes supplied with fittings are non dimmable. If you require 240v dimmable globes refer to page 418 & 420

All low voltage products that specify an input of 12v or 24v DC must be used with a suitable LED driver, refer to pages 315 - 324
Lumen output measured at source. All globes supplied with fittings are non dimmable. If you require 240v dimmable globes refer to page 418 & 420