

## Nella Aluminium Black

- Surface mounted round downlight
- Aluminium Powder Coated Black
- Triac Dimmable
- 120° beam angle
- IP Rating: IP54

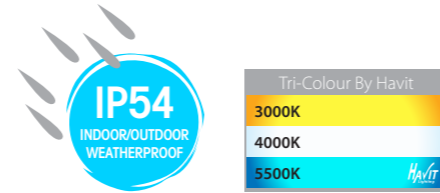
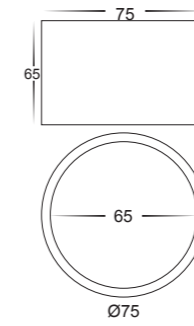
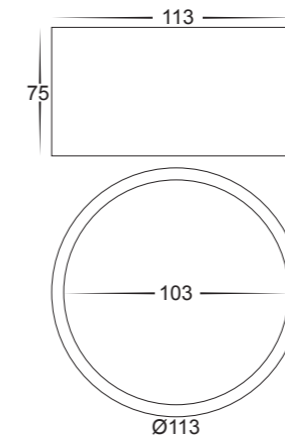


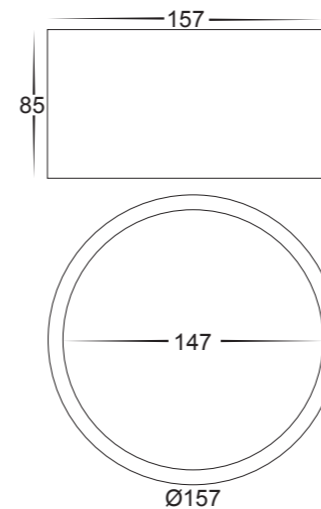
IMAGE	PART NUMBER	COLOUR TEMP	LUMENS	INPUT	INCLUDED LED
	HV5802T-BLK	3000K 4000K 5500K	525lm 560lm 540lm	240v	<b>Tri-Colour</b> Built-in 7w LED
IMAGE	PART NUMBER	COLOUR TEMP	LUMENS	INPUT	INCLUDED LED
	HV5803T-BLK	3000K 4000K 5500K	995lm 1125lm 1050lm	240v	<b>Tri-Colour</b> Built-in 12w LED
IMAGE	PART NUMBER	COLOUR TEMP	LUMENS	INPUT	INCLUDED LED
	HV5805T-BLK	3000K 4000K 5500K	1380lm 1430lm 1305lm	240v	<b>Tri-Colour</b> Built-in 18w LED



HV5802T-BLK



HV5803T-BLK



HV5805T-BLK



All low voltage products that specify an input of 12v or 24v DC must be used with a suitable LED driver, refer to pages 315 - 324  
Lumen output measured at source. All globes supplied with fittings are non dimmable. If you require 240v dimmable globes refer to page 418 & 420

All low voltage products that specify an input of 12v or 24v DC must be used with a suitable LED driver, refer to pages 315 - 324  
Lumen output measured at source. All globes supplied with fittings are non dimmable. If you require 240v dimmable globes refer to page 418 & 420