

Cara Aluminium

- Exterior Up and Down Wall Light
- Aluminum Poly Powder Coated Black and White
- Polycarbonate Opal Diffuser
- IP Rating: IP54

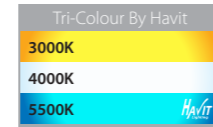


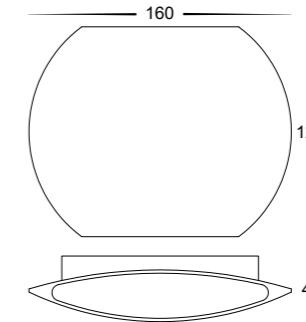
IMAGE	PART NUMBER	COLOUR TEMP	LUMENS	INPUT	INCLUDED LED
	HV35021T-BLK	3000K 4000K 5500K	2x 230lm 2x 245lm 2x 235lm	240v	Tri-Colour Built in 2x 3w LED
	HV35021T-WHT	3000K 4000K 5500K	2x 230lm 2x 245lm 2x 235lm	240v	Tri-Colour Built in 2x 3w LED
IMAGE	PART NUMBER	COLOUR TEMP	LUMENS	INPUT	INCLUDED LED
	HV35022T-BLK	3000K 4000K 5500K	2x 250lm 2x 300lm 2x 280lm	240v	Tri-Colour Built in 2x 4.5w LED
	HV35022T-WHT	3000K 4000K 5500K	2x 250lm 2x 300lm 2x 280lm	240v	Tri-Colour Built in 2x 4.5w LED



HV35021T-BLK



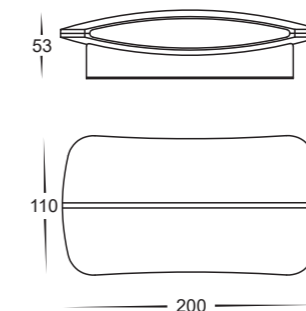
HV35021T-WHT



HV35022T-BLK



HV35022T-WHT



All low voltage products that specify an input of 12v or 24v DC must be used with a suitable LED driver, refer to pages 315 - 324
Lumen output measured at source. All globes supplied with fittings are non dimmable. If you require 240v dimmable globes refer to page 418 & 420

All low voltage products that specify an input of 12v or 24v DC must be used with a suitable LED driver, refer to pages 315 - 324
Lumen output measured at source. All globes supplied with fittings are non dimmable. If you require 240v dimmable globes refer to page 418 & 420