

Sotto 316 Stainless Steel

- Submersible pond light or garden light
- Stainless Steel 316 Marine Grade
- HV1494RGB must use suitable Havit RGB control gear
- 6 metre cable
- IP Rating: IP68

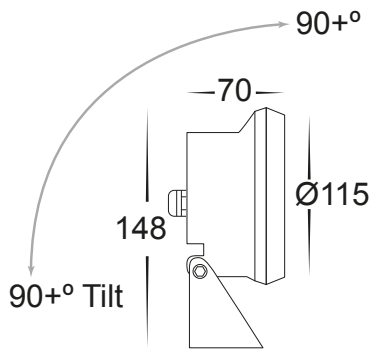


IMAGE	PART NUMBER	COLOUR TEMP	LUMENS	INPUT	INCLUDED LED
	HV1494C	5500K	975lm	12v DC	Built-in 15w LED
	HV1494W	3000K	873lm		
	HV1494RGB	RGB	500lm	12v DC	Built-in 15w LED
	HV1494-REM	RGB	NA	12v DC	Remote and Receiver
HAVIT COMPATIBLE ACCESSORIES					
	See pages 315-324 for compatible drivers. All low voltage products that specify an input of 12v or 24v DC must be used with a suitable LED driver.				
	HV350-SPK	Optional Garden Spike to suit HV1494 Models			

All low voltage products that specify an input of 12v or 24v DC must be used with a suitable LED driver, refer to pages 315 - 324
Lumen output measured at source. All globes supplied with fittings are non dimmable. If you require 240v dimmable globes refer to page 418 & 420