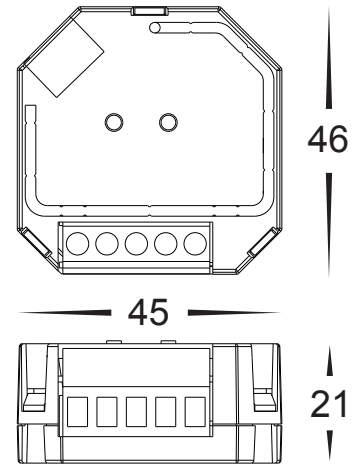




**TRAILING EDGE DIMMER
HV9105-ZB-ACDIM**



**ON-OFF SWITCH
HV9105-ZB-ACSW**



Zigbee Relays

IMAGE	PART NUMBER	DESCRIPTION	POWER
	HV9105-ZB-ACDIM	<ul style="list-style-type: none"> • Zigbee Trailing edge dimmer • Can be controlled using HV9101-ZB-5C • Can be used with push dimmer • Can be used with Zigbee Hub • Input Voltage: 240v AC • Output Power: 400W (200w LED) • Operation frequency 2.4GHZ • Dimming Range - 5-100% 	240v
	HV9105-ZB-ACSW	<ul style="list-style-type: none"> • Zigbee on-off switch • Can be controlled using HV9101-ZB-5C • Can be used with push switch • Can be used with Zigbee Hub • Input Voltage: 240v AC • Output Power: 400W (200w LED) • Operation frequency 2.4GHZ 	240v

All low voltage products that specify an input of 12v or 24v DC must be used with a suitable LED driver, refer to pages 315 - 324
Lumen output measured at source. All globes supplied with fittings are non dimmable. If you require 240v dimmable globes refer to page 418 & 420