

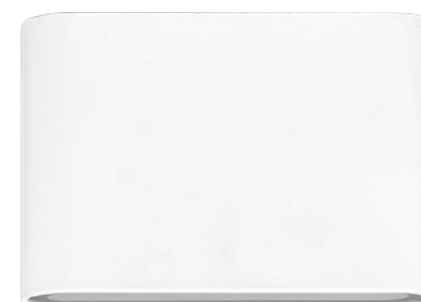
Lisse Aluminium White

- Slim wall light
- Aluminium Poly Powder Coated White
- Tempered glass
- IP Rating: IP54

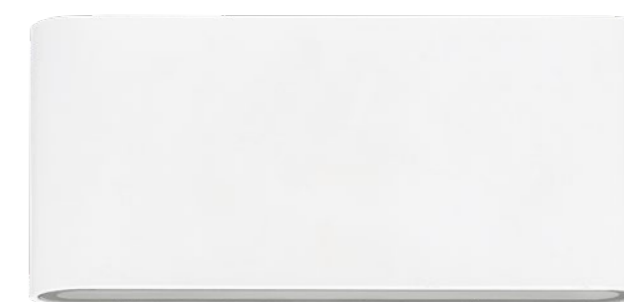
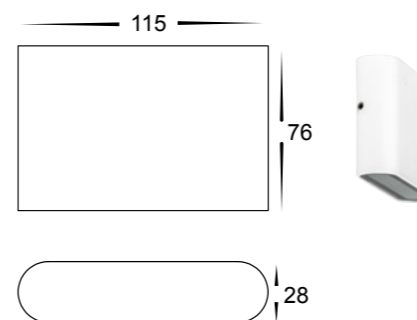


IMAGE	PART NUMBER	COLOUR TEMP	LUMENS	INPUT	INCLUDED LED
	HV3641T-WHT-240V	3000K 4000K 5500K	240lm 250lm 260lm	240v	Tri-Colour Built-in 4w LED
	HV3641T-WHT-12V	3000K 4000K 5500K	240lm 250lm 260lm	12v DC	Tri-Colour Built-in 4w LED <small>See page 275 for compatible drivers</small>
IMAGE	PART NUMBER	COLOUR TEMP	LUMENS	INPUT	INCLUDED LED
	HV3642T-WHT-240V	3000K 4000K 5500K	2x 180lm 2x 187lm 2x 195lm	240v	Tri-Colour Built-in 2x 3w LED
	HV3642T-WHT-12V	3000K 4000K 5500K	2x 180lm 2x 187lm 2x 195lm	12v DC	Tri-Colour Built-in 2x 3w LED <small>See page 275 for compatible drivers</small>
IMAGE	PART NUMBER	COLOUR TEMP	LUMENS	INPUT	INCLUDED LED
	HV3643T-WHT-240V	3000K 4000K 5500K	360lm 375lm 390lm	240v	Tri-Colour Built-in 6w LED
	HV3643T-WHT-12V	3000K 4000K 5500K	360lm 375lm 390lm	12v DC	Tri-Colour Built-in 6w LED <small>See page 275 for compatible drivers</small>
	HV3643RGBW-WHT	RGB + 3000K	N/A	12v DC	Built-in 6w LED <small>See page 275 for compatible drivers Must be used with RGBW Controller</small>
IMAGE	PART NUMBER	COLOUR TEMP	LUMENS	INPUT	INCLUDED LED
	HV3644T-WHT-240V	3000K 4000K 5500K	2x 300lm 2x 310lm 2x 325lm	240v	Tri-Colour Built-in 2x 5w LED
	HV3644T-WHT-12V	3000K 4000K 5500K	2x 300lm 2x 310lm 2x 325lm	12v DC	Tri-Colour Built-in 2x 5w LED <small>See page 275 for compatible drivers</small>
	HV3644RGBW-WHT	RGB + 3000K	N/A	12v DC	Built-in 2x5w LED <small>See page 275 for compatible drivers Must be used with RGBW Controller</small>

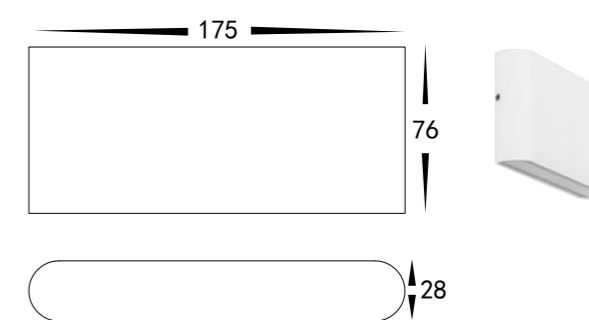
All low voltage products that specify an input of 12v or 24v DC must be used with a suitable LED driver, refer to pages 275 - 282
Lumen output measured at source. All globes supplied with fittings are non dimmable. If you require 240v dimmable globes refer to page 362



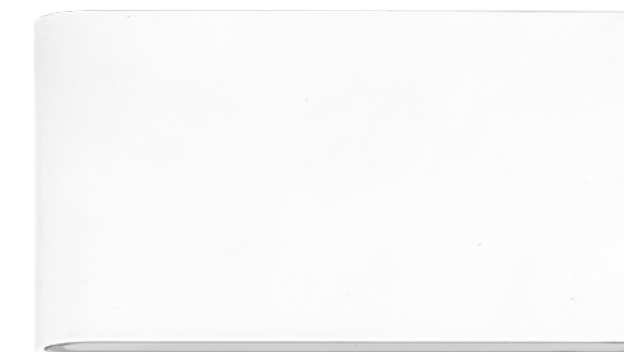
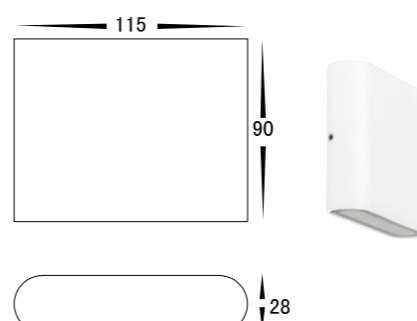
Fixed Down
HV3641T-WHT



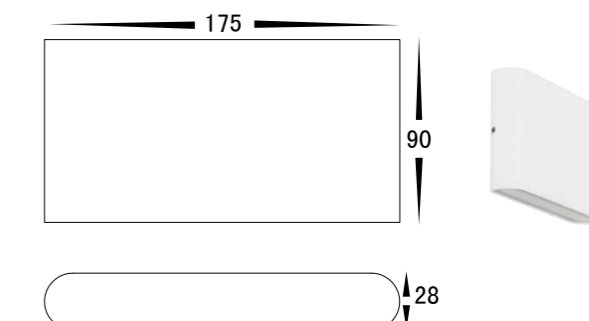
Fixed Down
HV3643T-WHT



Up & Down
HV3642T-WHT



Up & Down
HV3644T-WHT



All low voltage products that specify an input of 12v or 24v DC must be used with a suitable LED driver, refer to pages 275 - 282
Lumen output measured at source. All globes supplied with fittings are non dimmable. If you require 240v dimmable globes refer to page 362