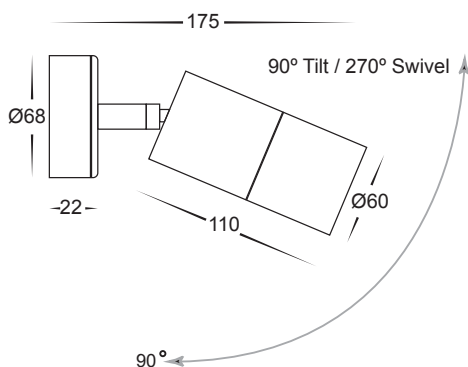
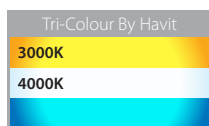
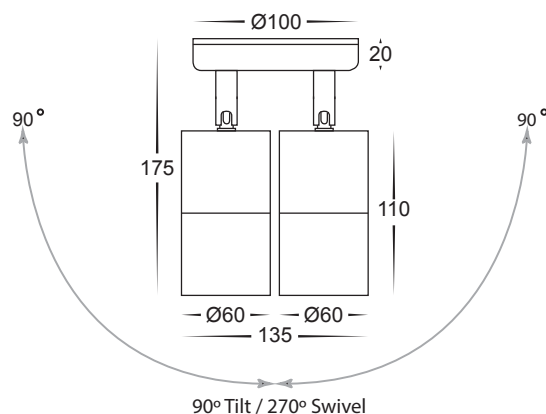




Single Adjustable



Double Adjustable



MR16 Models are compatible with 12v & 24v Havit Tri-Colour 9in1 Globes HV9507 & HV9508

| IMAGE | PART NUMBER        | COLOUR TEMP             | LUMENS                                       | INPUT  | INCLUDED LED  |
|-------|--------------------|-------------------------|--|--------|---|
|       | <b>HV1285T</b>     | 3000K<br>4000K<br>5500K | 240-560lm<br>255-595lm<br>270-630lm          | 240v   | <b>9 in 1 Tri-Colour</b><br>3/5/7w GU10 LED   |
|       | <b>HV1287GU10T</b> | 3000K<br>4000K<br>5500K | 270lm<br>285lm<br>300lm                      | 240v   | <b>Tri-Colour</b><br>5w GU10 LED  |
|       | <b>HV1287MR16T</b> | 3000K<br>4000K<br>5500K | 270lm<br>285lm<br>300lm                      | 12v DC | <b>Tri-Colour</b><br>5w MR16 LED<br><small>See page 275 for compatible drivers</small>    |
| IMAGE | PART NUMBER        | COLOUR TEMP             | LUMENS                                       | INPUT  | INCLUDED LED  |
|       | <b>HV1385T</b>     | 3000K<br>4000K<br>5500K | 2x 240-560lm<br>2x 255-595lm<br>2x 270-630lm | 240v   | <b>9 in 1 Tri-Colour</b><br>2x 3/5/7w GU10 LED  |
|       | <b>HV1387GU10T</b> | 3000K<br>4000K<br>5500K | 2x 270lm<br>2x 285lm<br>2x 300lm             | 240v   | <b>Tri-Colour</b><br>2x 5w GU10 LED   |
|       | <b>HV1387MR16T</b> | 3000K<br>4000K<br>5500K | 2x 270lm<br>2x 285lm<br>2x 300lm             | 12v DC | <b>Tri-Colour</b><br>2x 5w MR16 LED<br><small>See page 275 for compatible drivers</small> |

All low voltage products that specify an input of 12v or 24v DC must be used with a suitable LED driver, refer to pages 275 - 282  
Lumen output measured at source. All globes supplied with fittings are non dimmable. If you require 240v dimmable globes refer to page 362