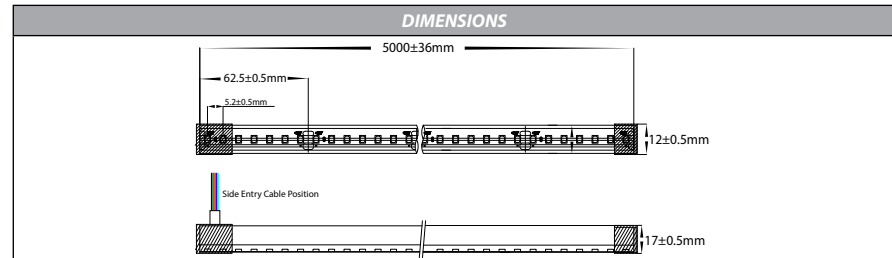
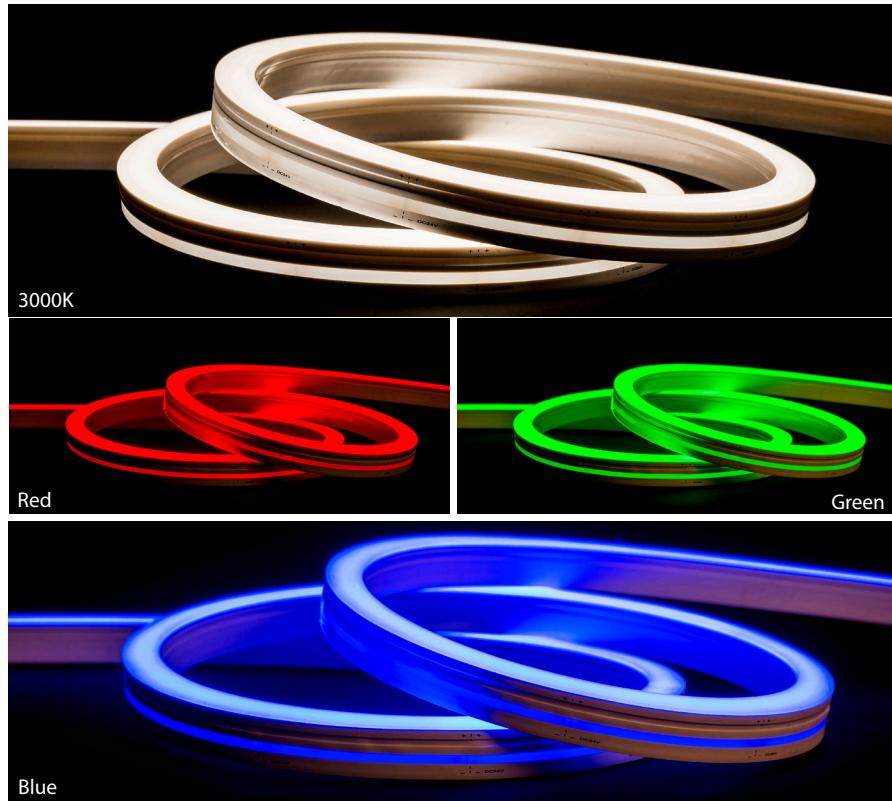


14.4w IP67 24v DC 196LED Side Bend RGBW Haviflex LED Strip



Product Specifications

Watts Per Metre	14.4w
Input Voltage	24v DC
Colour Temp	RGBW (RGB + 3000K)
Beam Angle	120°
Bending Radius	60mm
IP Rating	IP67
Size	12mm (W) x 17mm (H)
PCB	3oz
CRI	>80
Lamp Expectancy	>50000hrs
Wiring	Parallel
Dimmable	Yes
LED Chip Type	2835
No. Chips Per Metre	196
Maximum Cut Length	5000mm
Cutting Increments	62.5mm
Mounting	Mounting Clips (4x Supplied Per Metre)
Operating Temperature	0 - + 60° Celcius
Ambient Temperature	-20° - + 50° Celcius
Warranty	3 Years Replacement*



COMPATIBLE CONTROLLERS			
Touch Panels	Remote Controllers	Zigbee	RF + WIFI
 HV9101-E4S HV9101-EX8S	 HV9102-M4+M4-5A HV9102-Q4	 HV9101-ZB-RGBWTP HV9102-ZB-RGBWREM	 HV9101-2820 HV9102-2819RGBW
 HV9103-F4-5A	 HV9103-F4-5A	 HV9105-ZB-5C	 HV9105-1009-5C

Product Ordering - Per Metre

Image	Part Number	Colour Temp	Lumens	Barcode
	HV9795-IP67-200-RGBW	RGBW (RGB + 3000K)	600lm	9350418024718

Product Ordering - 20m Reels

Image	Part Number	Colour Temp	Lumens	Barcode
	HV9795-IP67-200-RGBW-20M	RGBW (RGB + 3000K)	600lm	9350418031877

*Ordered after 01-01-2022

For More Information Contact Havit Lighting

143 Beauchamp Road
Matraville NSW 2036
Australia

Tel: 02 9381 8300
Fax: 02 9666 8881
Email: sales@havit.com.au
Web: www.havit.com.au

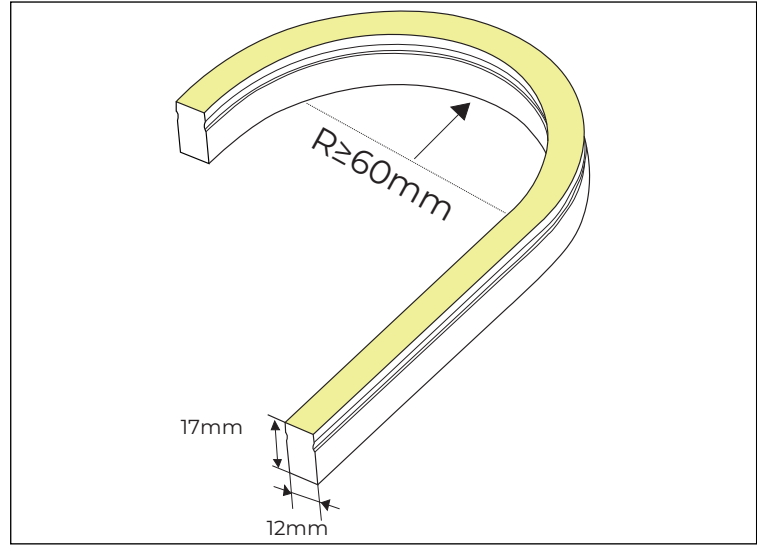
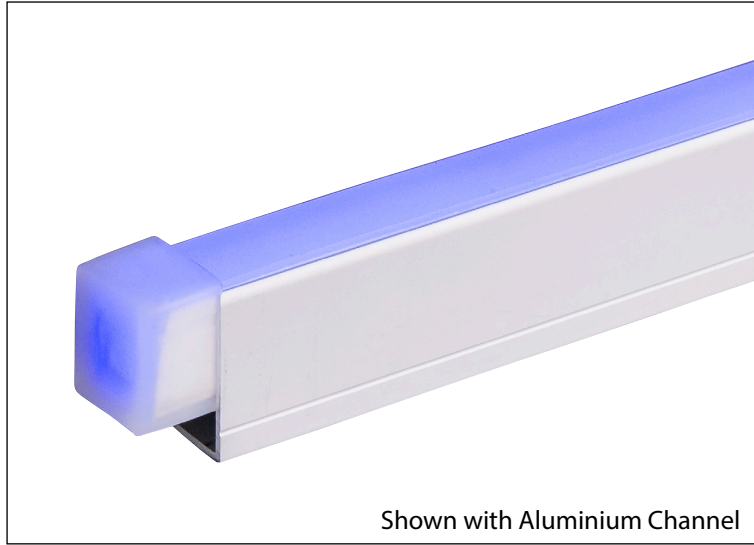


Warranty Terms & Conditions

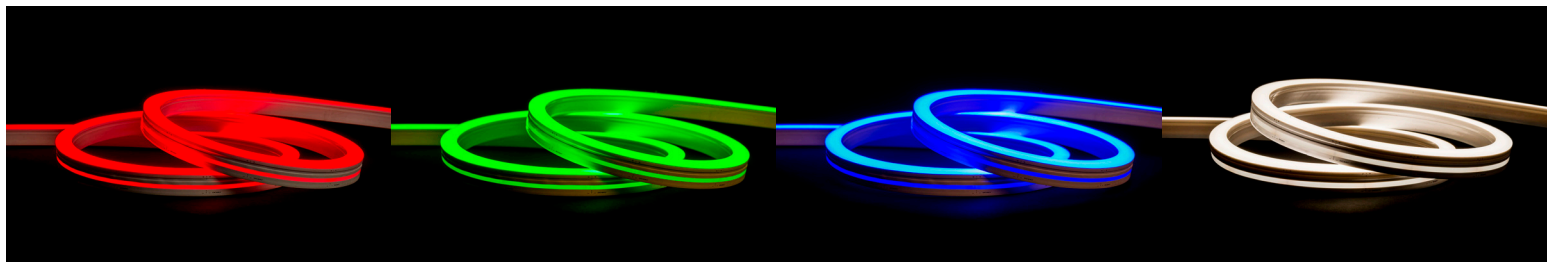
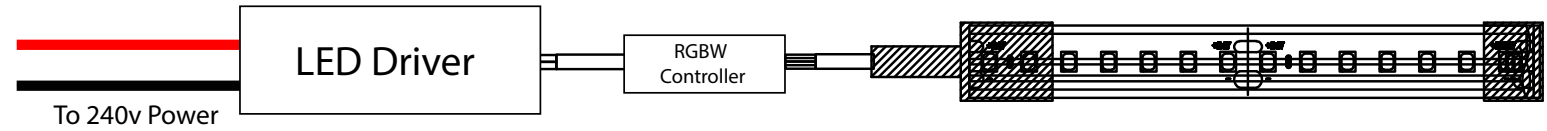


www.havit.com.au

14.4w IP67 24v DC 196LED Side Bend RGBW Haviflex LED Strip



Sample Wiring Diagram



Optional Accessories

Image	Dimensions	Part Number	Description	Barcode
		HV9795-ALU	Aluminium Channel (1000mm Length)	9350418024664
		HV9795-ALU-BEND	Bendable Channel (2x 500mm Lengths)	9350418024671
		HV9795-MC	2x Mounting Clips	9350418024657

*Ordered after 01-01-2022

For More Information Contact Havit Lighting

143 Beauchamp Road
Matraville NSW 2036
Australia

Tel: 02 9381 8300
Fax: 02 9666 8881
Email: sales@havit.com.au
Web: www.havit.com.au



Warranty Terms & Conditions



www.havit.com.au