

8w IP54 12v DC Chasing RGB LED Strip



PRODUCT SPECIFICATIONS

- Watts Per Metre:** 8w
- Input Voltage:** 12v DC
- Colour Temp:** RGB (Red, Green, Blue)
- CRI:** >80
- Beam Angle:** 120°
- IP Rating:** IP54
- Size:** 12mm x 3mm
- PCB:** 3oz
- Dimmable:** Yes
- LED Chip Type:** 5050
- LED Chips Per Metre:** 60 LED'S
- Lumens Per Metre:** 585lm (white)
- Maximum Length:** 5000mm
- Cutting Increments:** Every 50mm
- Wiring:** Parallel
- Mounting:** Aluminium Profile or Heat Sink
- Warranty:** 2 Years Replacement**

Blue



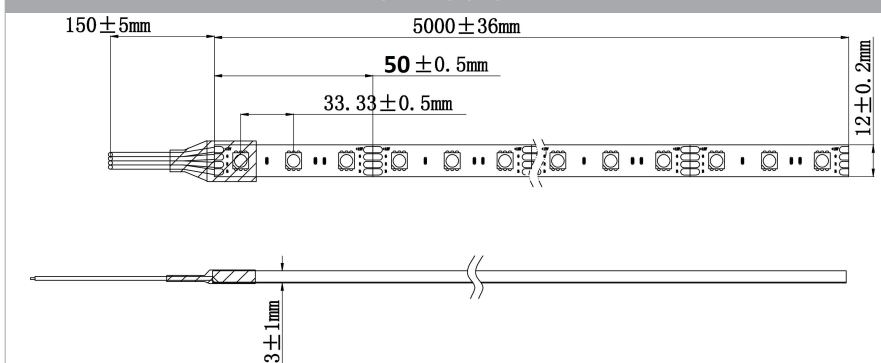
Green



Red



DIMENSIONS



IP RATING



APPROVALS



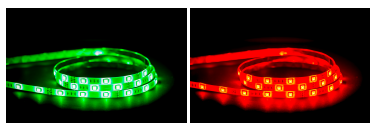
Product Ordering

IMAGE

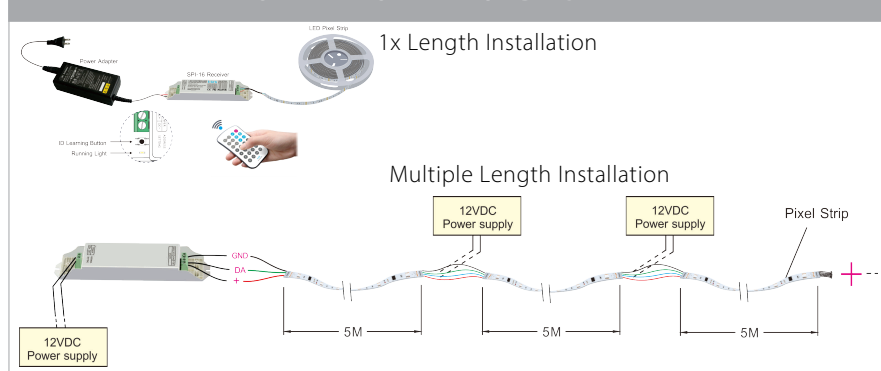
PART NUMBER



HV9750-IP54-60-CHRGB



SAMPLE INSTALLATION DIAGRAM



* Lumens measured @ source

**See Warranty Terms and Conditions for more information

Must be used with a suitable 12v DC LED Driver + RGB Controller

For more information contact Havit Lighting

ADDRESS:
143 Beauchamp Road
Matraville NSW 2036
Australia

Tel: 02 9381 8300
Fax: 02 9666 8881
Email: sales@havit.com.au
web: www.havit.com.au