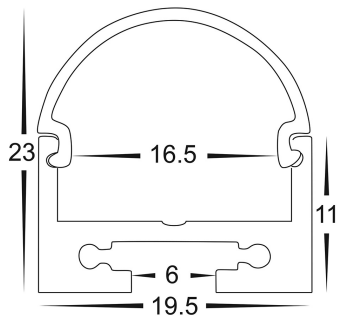


## PRODUCT SPECIFICATIONS

- Material:** Aluminium
- Colour:** Silver
- LED Strip Type:** Up to 16mm (w) x 4mm (h)
- Diffuser Type:** Standard PC
- Available Lengths:** Up to 3000mm
- Installation Method:** Surface Mounted
- IP Rating:** IP20
- Warranty:** 2 Years Replacement\*\*

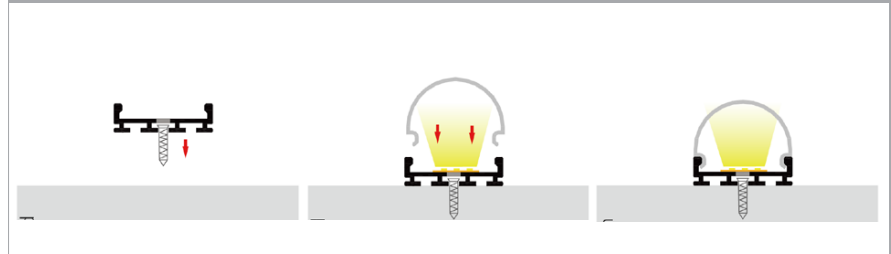
## DIMENSIONS



## IP RATING



## INSTALLATION METHOD



## Product Ordering

IMAGE	PART NUMBER	INCLUDED
	<b>HV9690-2119</b>	<b>Custom cut length:</b> Supplied with 2x end caps per length
	<b>HV9690-2119-3M</b>	<b>3 metre length:</b> Supplied with 2x end caps per metre

\*\* See Warranty Terms and Conditions for more information

For more information contact *Havit Lighting*

ADDRESS:  
143 Beauchamp Road  
Matraville NSW 2036  
Australia

Tel: 02 9381 8300  
Fax: 02 9666 8881  
Email: [sales@havit.com.au](mailto:sales@havit.com.au)  
web: [www.havit.com.au](http://www.havit.com.au)