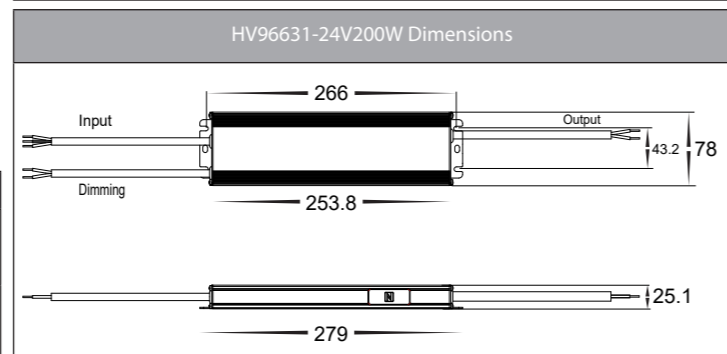
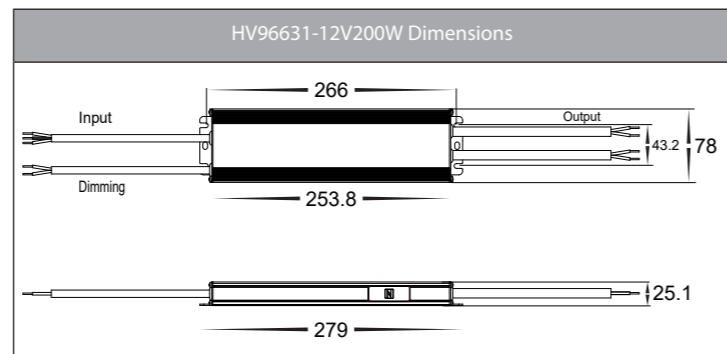


200w Dali + Push Dim Constant Voltage IP66 LED Driver



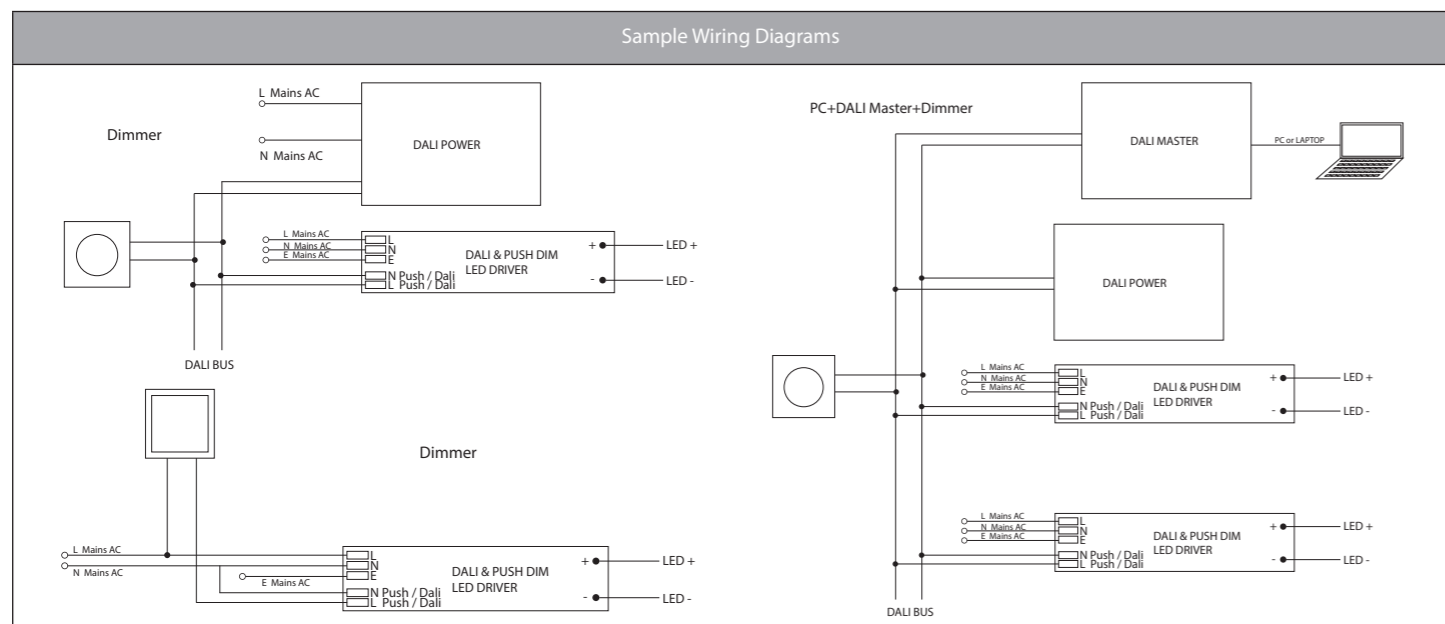
Product Specifications

Material	Aluminium
Colour	Anodised Grey
IP Rating	IP66
Input Voltage	100 - 240v AC
Output Voltage	Available in either 12v DC or 24v DC
Max Wattage	200w
Recommended Max Wattage	160w
Protection Class	Class 1 (Earth Required)
Dimming Methods	Dali or Push Dim
Dimming Range	5% - 100%
Protections	Short Circuit, Overload, Over Temperature.
Warranty	3 Years Replacement*



Product Ordering

Part Number	Output Voltage	Barcode
HV96631-12V200W	12v DC Constant Voltage	9350418027597
HV96631-24V200W	24v DC Constant Voltage	9350418027658



*Items ordered after 01-01-2022

Havit Lighting
143 Beauchamp Road,
Matraville, N.S.W. 2036

Phone: 02 9381 8300
Email: sales@havit.com.au
Web: www.havit.com.au



Warranty Terms & Conditions



www.havit.com.au

Part Number	HV96631-12V200W	HV96631-24V200W	
Output	DC Voltage	12v DC (12-13.5V Adjust by NFC)	24v DC (24-26V Adjust by NFC)
	Voltage Tolerance	± 0.2V	
	Rated Current	16.67A	8.34A
	Rated Power	200W	
	Load Regulation	± 2%	
Input	Standby Power Consumption	≤ 0.5W	≤ 0.5W
	Voltage Range	100-277V AC	
	Frequency Range	47 - 63Hz	
	Power Factor (TYP.) @ Full Load	PF≥0.98 @ 120V AC PF≥0.96 @ 230V AC PF≥ 0.95 @ 277V AC (Full Loading)	
	THD(Typ.) @ Full Load	≤10% @ 120V AC ≤ 10% @ 230V AC ≤15% @ 277V AC	
	Efficiency(Typ.)@ Full Load	89% @ 120V AC 91% @ 230V AC 91% @ 277V AC	
	AC Current (Max)	2.3A	2.3A
	Inrush Current (TYP.)	38.4A, 510us@50% Ipeak (120V AC)	
		88A, 120us@50% Ipeak (230V AC)	
		48A, 560us@50% Ipeak (277V AC)	
Leakage Current	.05mA		
Protections	Short Circuit	Hiccup mode, Recover automatically after fault condition is removed	
	Overload	≤120%, Hiccup mode, Recover automatically after fault condition is removed	
	Over Temperature	Ambient Temperature Over 55°C ± 10°C, Output will turn off and recovers automatically after temperature drops.	
Environment	Working Temp.	-40°-+60°C	
	Working Humidity	20-90%RH, Non Condensing	
	Storage TEMP. Humidity	-40 - +80°C, 10 - 95% RH	
	TEMP. Coefficient	≤0.03%/°c (0-50°C)	
	Vibration	10-500hZ, 2g 10min./1 Cycle, Period for 60min, each along X,Y,Z axes	
Safety & EMC	Safety Standards	EN61347-1	
	Isolation Resistance	I/P-O/P I/P-FG O/P-FG:100MΩ/500VDC/25°C/70%RH	
	EMC Emission	EN55015 EN61000-3-2 EN61000-3-3 (EU)≥50% Load & FCC Part 15 B (US)	
	EMC Immunity	EN61000-4-2,3,4,5,6,11 EN61547	
Others	Weight	0.35Kg	