

200w IP66 Triac Dimmable Weatherproof LED Driver



PRODUCT SPECIFICATIONS

- Material:** Aluminium
- Colour:** Blue
- Input Voltage:** 240v AC
- Output Voltage:** 12v DC or 24v DC
- Output Power:** 200w*
- Dimming Range:** 10% - 100%
- Wiring:** Parallel
- IP Rating:** IP66
- Dimmable:** Yes (Triac)
- Warranty:** 2 Years Replacement**



Supplied with Flex & Plug

COMPATIBLE WITH

HV9625



240V Dimmer

Single Colour LED Strip



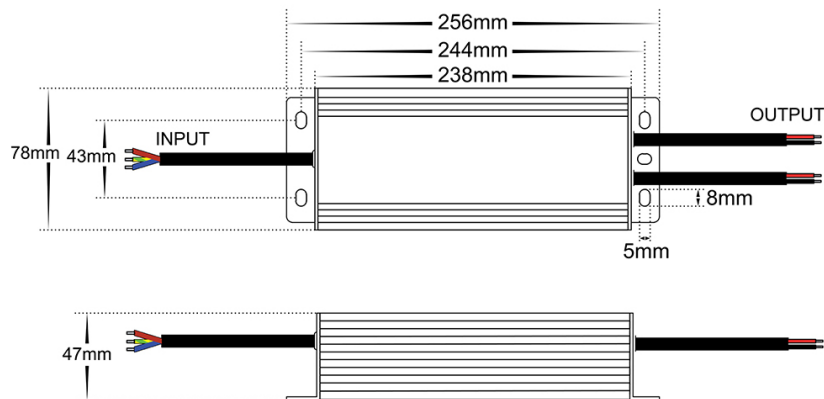
IP RATING



APPROVAL



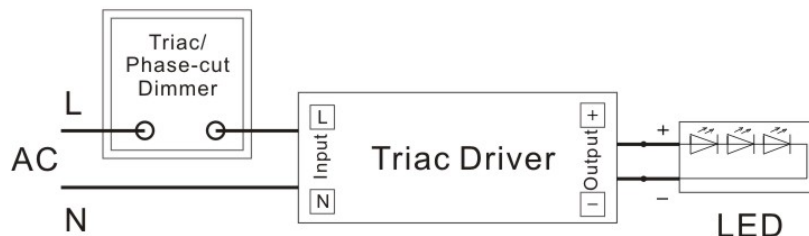
DIMENSIONS



Product Ordering

IMAGE	OUTPUT VOLTAGE	PART NUMBER
	12v DC	HV9660-12V200W
	24v DC	HV9660-24V200W

SAMPLE INSTALLATION DIAGRAM



* Recommended maximum Load of 160w

** See Warranty Terms and Conditions for more information

For more information contact Havit Lighting

ADDRESS:
143 Beauchamp Road
Matraville NSW 2036
Australia

Tel: 02 9381 8300
Fax: 02 9666 8881
Email: sales@havit.com.au
web: www.havit.com.au

Output	DC Voltage	12V	24V
	Voltage Tolerance	±0.5V	±0.5V
	Rated current	16.6A	8.3A
	Rated power	200W	200W
Input	Voltage Range	200-240V AC	
	Frequency range	47 - 63HZ	
	Power Factor (Typ.)	PF≥0.95 (Full loading)	
	Full Load Efficiency(Typ.)	88%	90%
	AC Current(Max.)	1.4A	1.4A
	Leakage Current	<0.50mA	
Protection	Short Circuit	Hiccup mode, recovers automatically after fault condition is removed	
	Over Load	<120%	
	Over Temperature	100°C ± 10°C shut down o/p voltage, re-power on to recover	
	Protection Class:	I	
Environment	Working temperature	40 - +60°C	
	Working humidity	20 - 90%RH,non-condensing	
	Storage temp. and humidity	-40- + 80°C, 10-95%RH	
	Temp. coefficient	±0.03%/°C (0-50°C)	
	Vibration	10-500Hz,2G 12min./1 cycle,period for 72min.each along X.Y.Z axes.	
Safety and EMC	Safety standards	EN61347-1 EN61347-2-13 IP20	
	Withstand voltage	I/P-O/P:3.75KVAC I/P-FG:1.88KVAC O/P-FG:0.5KVAC	
	Insulation resistance	I/P-O/P I/P-FG O/P-FG:100MΩ/500VDC/25°C/70%RH	
	EMC Emission	EN55015,EN61000-3-2,3 (>60%loading)	
	EMC Immunity	EN61000-4-2,3,4,5,6,11,EN61547, A light industry level (Surge 4KV)	