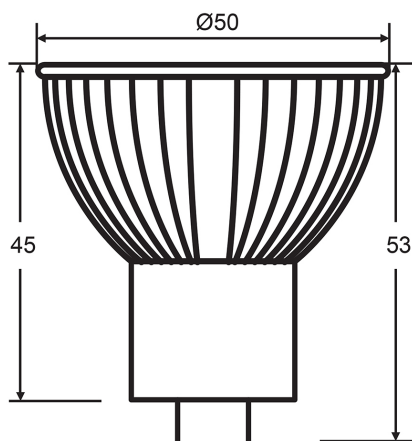


PRODUCT SPECIFICATIONS

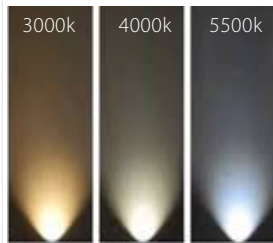
- Material:** Aluminium + Plastic
- Colour:** Silver & White
- IP Rating:** IP20
- Lamp Base:** MR16
- CRI:** ≥80
- Wiring:** Parallel
- Dimmable:** No
- Warranty:** 2 Years Replacement**



DIMENSIONS



COLOUR TEMPERATURE



IP RATING



APPROVALS



Product Ordering

IMAGE	PART NUMBER	COLOURTEMP	LUMENS	INPUT	BEAM ANGLE	INCLUDED LED
	HV9557C	5500k	370lm	12v DC	60°	5w MR16 LED
	HV9557-4K	4000k	355lm	12v DC	60°	5w MR16 LED
	HV9557W	3000k	340lm	12v DC	60°	5w MR16 LED

* Lumen output measured at source

** See Warranty Terms and Conditions for more information

Must be used with suitable 12v DC LED Driver

For more information contact Havit Lighting

ADDRESS:
143 Beauchamp Road
Matraville NSW 2036
Australia

Tel: 02 9381 8300
Fax: 02 9666 8881
Email: sales@havit.com.au
web: www.havit.com.au