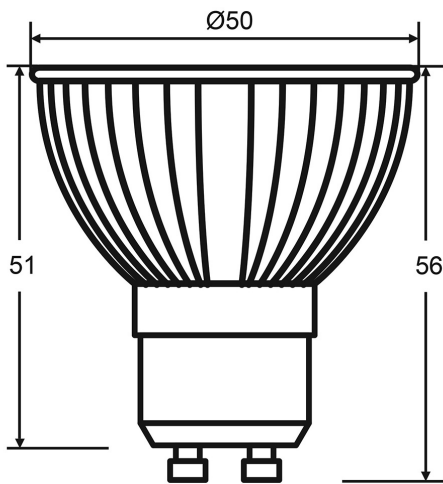


## PRODUCT SPECIFICATIONS

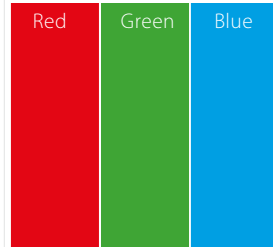
- Material:** Aluminium + Plastic
- Colour:** Silver & White
- IP Rating:** IP20
- Lamp Base:** GU10
- CRI:** ≥80
- Wiring:** Parallel
- Dimmable:** Yes (Triac Leading or Trailing Edge)
- Warranty:** 2 Years Replacement\*\*



## DIMENSIONS



## COLOUR TEMPERATURE



## IP RATING



## APPROVALS



## Product Ordering

IMAGE	PART NUMBER	COLOURTEMP	LUMENS	INPUT	BEAM ANGLE	INCLUDED LED
	<b>HV9555R</b>	Red	N/A	240v AC	60°	5w GU10 LED
	<b>HV9555G</b>	Green	N/A	240v AC	60°	5w GU10 LED
	<b>HV9555B</b>	Blue	N/A	240v AC	60°	5w GU10 LED

\* Lumen output measured at source

\*\* See Warranty Terms and Conditions for more information

For more information contact Havit Lighting

ADDRESS:  
143 Beauchamp Road  
Matraville NSW 2036  
Australia

Tel: 02 9381 8300  
Fax: 02 9666 8881  
Email: sales@havit.com.au  
web: www.havit.com.au