

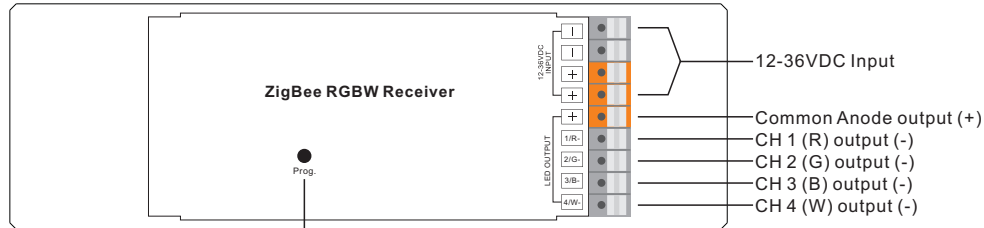
# HV9105-ZB-RGBW



## ZigBee RGBW LED Light Device

**Important:** Read All Instructions Prior to Installation

### Function introduction



Program Key: short press to switch on/off load, press and hold down to increase/decrease light intensity

**Note:** W channel can only be controlled through color temperature control command since Zigbee only has tunable white control. Color temperature control will mix RGB channels as 1 channel white and then make color tuning with the 4th channel white.

### Product Data

No.	Input Voltage	Output Current	Output Power	Output Type	Dimension (LxWxH)
1	12-36VDC	4CH, 5A/CH	240-720W	Constant voltage	170x53.4x28mm
2	12-36VDC	4CH, 0.35A/CH	16.8-50.4W	Constant current	170x53.4x28mm
3	12-36VDC	4CH, 0.7A/CH	33.6-100.8W	Constant current	170x53.4x28mm

- ZigBee RGBW LED light device based on latest ZigBee 3.0 protocol
- Enables to control ON/OFF, light intensity and RGB color of connected RGBW LED lights
- W channel can only be controlled through color temperature control command
- Color temperature control will mix RGB channels as 1 channel white and then make color tuning with the 4th channel white
- ZigBee end device that supports Touchlink commissioning
- Supports self-forming zigbee network without coordinator
- Supports find and bind mode to bind a ZigBee remote
- Supports zigbee green power and can bind max. 20 zigbee green power remotes
- Compatible with universal ZigBee gateway products
- Waterproof grade: IP20

### Safety & Warnings

- DO NOT install with power applied to device.
- DO NOT expose the device to moisture.

### Operation

1. Do wiring according to connection diagram correctly.

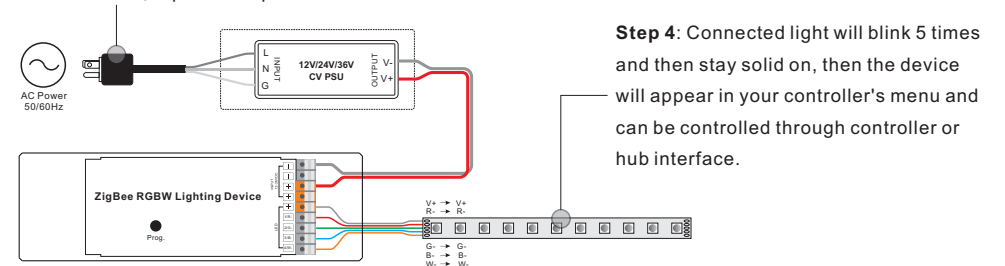
2. This ZigBee device is a wireless receiver that communicates with a variety of ZigBee compatible systems. This receiver receives and is controlled by wireless radio signals from the compatible ZigBee system.

### 3. Zigbee Network Pairing through Coordinator or Hub (Added to a Zigbee Network)

**Step 1:** Remove the device from previous zigbee network if it has already been added to, otherwise pairing will fail. Please refer to the part "Factory Reset Manually".

**Step 2:** From your ZigBee Controller or hub interface, choose to add lighting device and enter Pairing mode as instructed by the controller.

**Step 3:** Re-power on the device to set it into network pairing mode (connected light flashes twice slowly), 15 seconds timeout, repeat the operation.

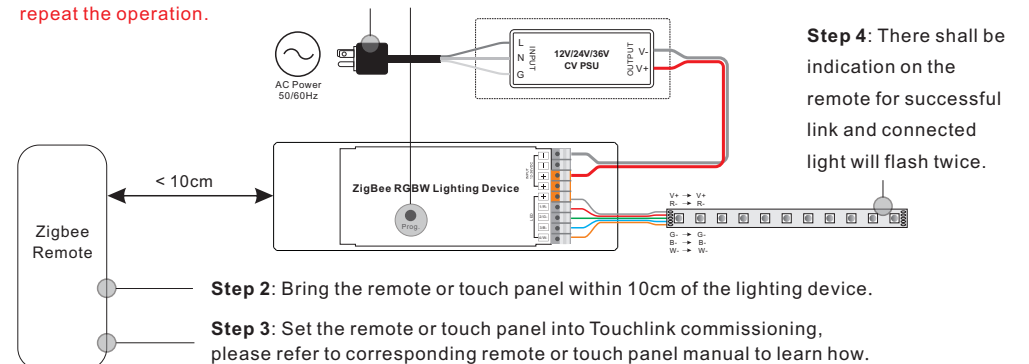


**Step 4:** Connected light will blink 5 times and then stay solid on, then the device will appear in your controller's menu and can be controlled through controller or hub interface.

### 4. TouchLink to a Zigbee Remote

**Step 1: Method 1:** Short press "Prog" button (or re-power on the device) 4 times to start Touchlink commissioning immediately, 180S timeout, repeat the operation.

**Method 2:** Re-power on the device, Touchlink commissioning will start after 15S if it's not added to a zigbee network, 165S timeout. Or start immediately if it's already added to a network, 180S timeout. Once timeout, repeat the operation.



**Step 4:** There shall be indication on the remote for successful link and connected light will flash twice.

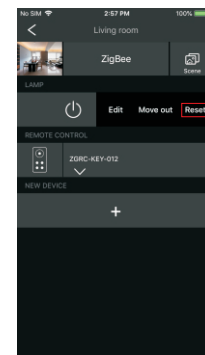
**Note: 1) Directly TouchLink (both not added to a ZigBee network), each device can link with 1 remote.**

**2) TouchLink after both added to a ZigBee network, each device can link with max. 30 remotes.**

**3) For Hue Bridge & Amazon Echo Plus, add remote and device to network first then TouchLink.**

**4) After TouchLink, the device can be controlled by the linked remotes.**

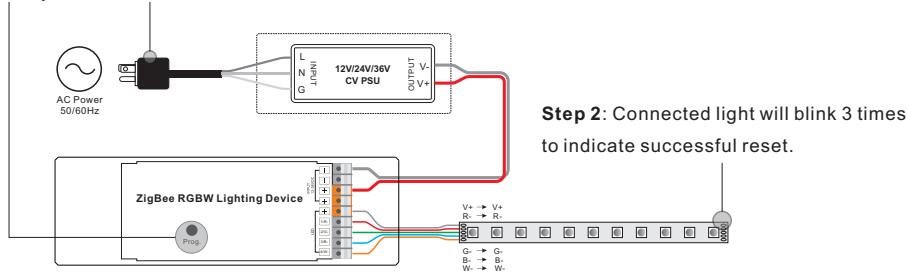
### 5. Removed from a Zigbee Network through Coordinator or Hub Interface



From your ZigBee controller or hub interface, choose to delete or reset the lighting device as instructed. The connected light blinks 3 times to indicate successful reset.

## 6. Factory Reset Manually

**Step 1:** Short press "Prog." key for 5 times continuously or re-power on the device for 5 times continuously if the "Prog." key is not accessible.

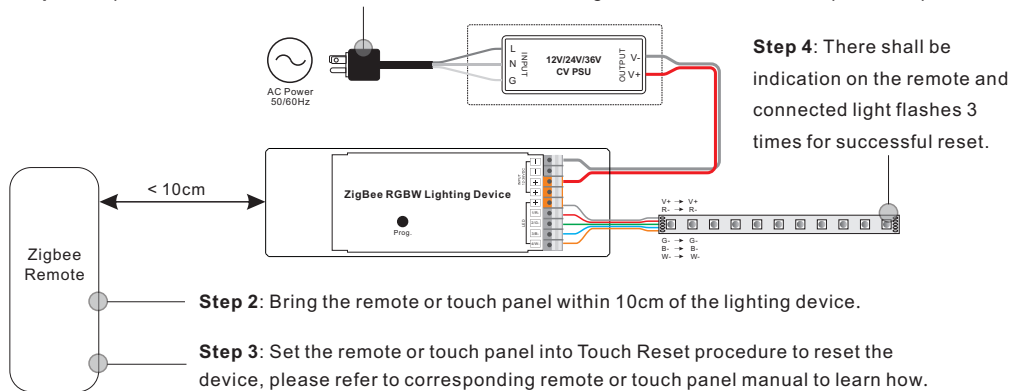


**Note:** 1) If the device is already at factory default setting, there is no indication when factory reset again.  
2) All configuration parameters will be reset after the device is reset or removed from the network.

## 7. Factory Reset through a Zigbee Remote (Touch Reset)

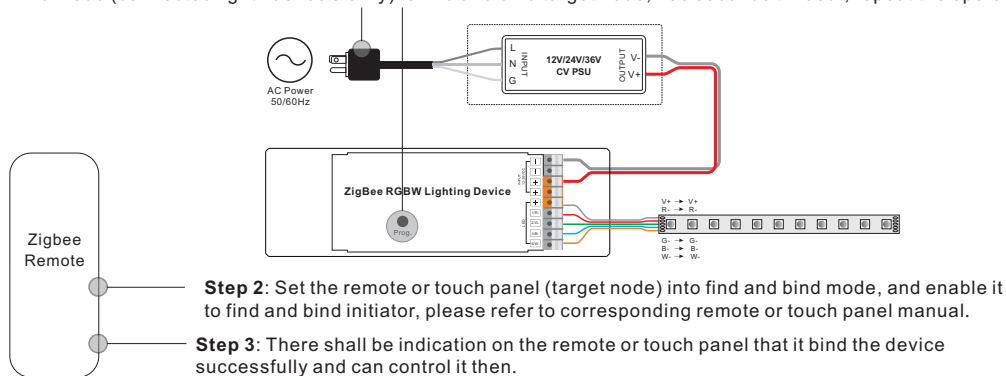
**Note:** Make sure the device already added to a network, the remote added to the same one or not added to any network.

**Step 1:** Re-power on the device to start TouchLink Commissioning, 180 seconds timeout, repeat the operation.



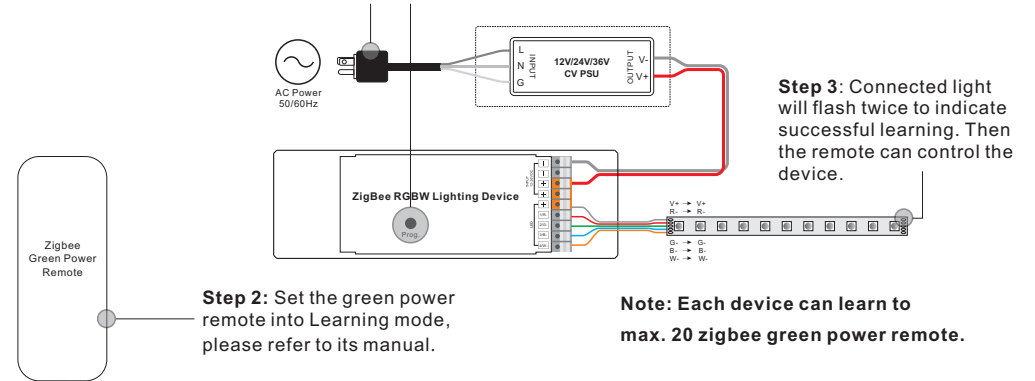
## 8. Find and Bind Mode

**Step 1:** Short press "Prog." button 3 times (Or re-power on the device (initiator node) 3 times) to start Find and Bind mode (connected light flashes slowly) to find and bind target node, 180 seconds timeout, repeat the operation.



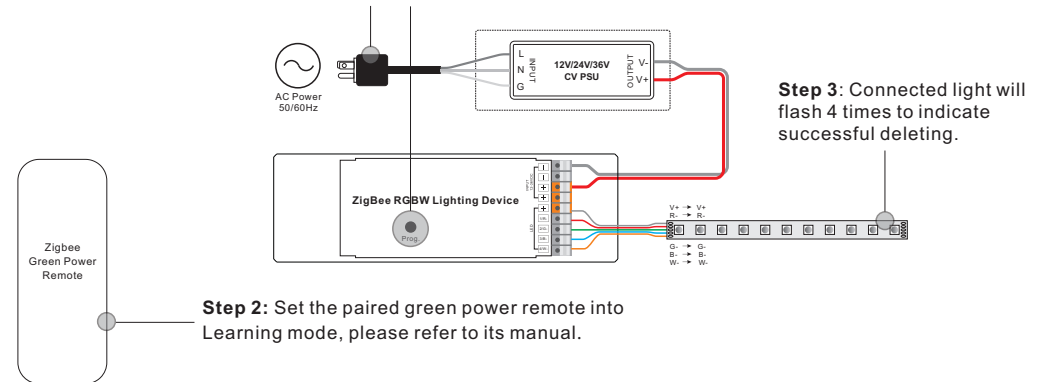
## 9. Learning to a Zigbee Green Power Remote

**Step 1:** Short press "Prog." button 4 times (Or re-power on the device 4 times) to start Learning mode (connected light flashes twice), 180 seconds timeout, repeat the operation.



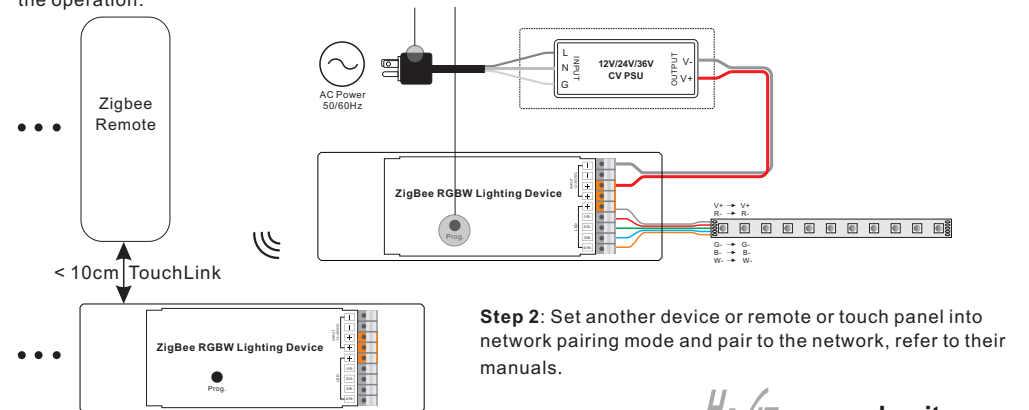
## 10. Delete Learning to a Zigbee Green Power Remote

**Step 1:** Short press "Prog." button 3 times (Or re-power on the device 3 times) to start delete Learning mode (connected light flashes slowly), 180 seconds timeout, repeat the operation.



## 11. Setup a Zigbee Network & Add Other Devices to the Network (No Coordinator Required)

**Step 1:** Short press "Prog." button 4 times (Or re-power on the device 4 times) to enable the device to setup a zigbee network (connected light flashes twice) to discover and add other devices, 180 seconds timeout, repeat the operation.



**Step 3:** Pair more devices and remotes to the network as you would like, refer to their manuals.

**Step 4:** Bind the added devices and remotes through Touchlink so that the devices can be controlled by the remotes, refer to their manuals.

**Note: 1) Each added device can link and be controlled by max. 30 added remotes.**

**2) Each added remote can link and control max. 30 added devices.**

## 12. ZigBee Clusters the device supports are as follows:

### Input Clusters

- 0x0000: Basic
- 0x0003: Identify
- 0x0004: Groups
- 0x0005: Scenes
- 0x0006: On/off
- 0x0008: Level Control
- 0x0300: Color Control
- 0x0b05: Diagnostics

### Output Clusters

- 0x0019: OTA

## 13. OTA

The device supports firmware updating through OTA, and will acquire new firmware from zigbee controller or hub every 10 minutes automatically.

## Wiring Diagram

