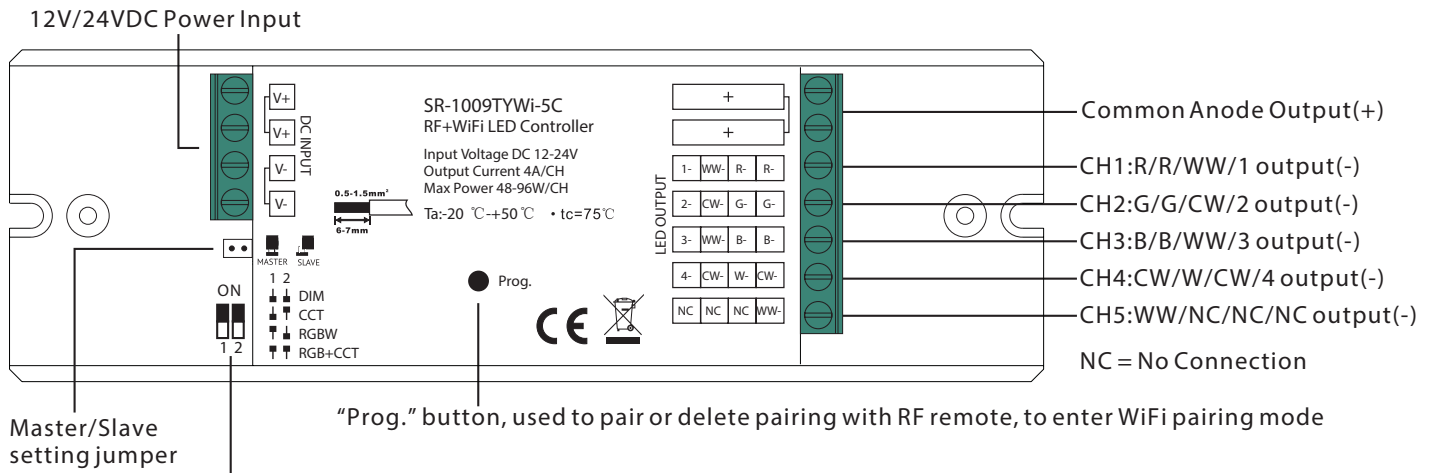


4 in 1 RF+WiFi LED Controller

HV9105-1009-5C Installation Instructions



Important: Read All Instructions Prior to Installation
Function introduction



Dial switch for device mode selection, DIM, CCT, RGBW and RGB+CCT 4 modes are available, factory default is RGB+CCT mode

Product Data

No.	Input Voltage	Output Current	Output Power	Remarks	Size(LxWxH)
1	12-24VDC	5x4A	5x(48-96)W	Constant voltage	145x46.5x16mm

- RF+WiFi LED controller
- 5 channels 12/24V constant voltage output
- Max. 4A output per channel
- RF frequency: 434/869.6/916.5MHz
- Compatible with universal legacy RF remotes
- Waterproof grade: IP20

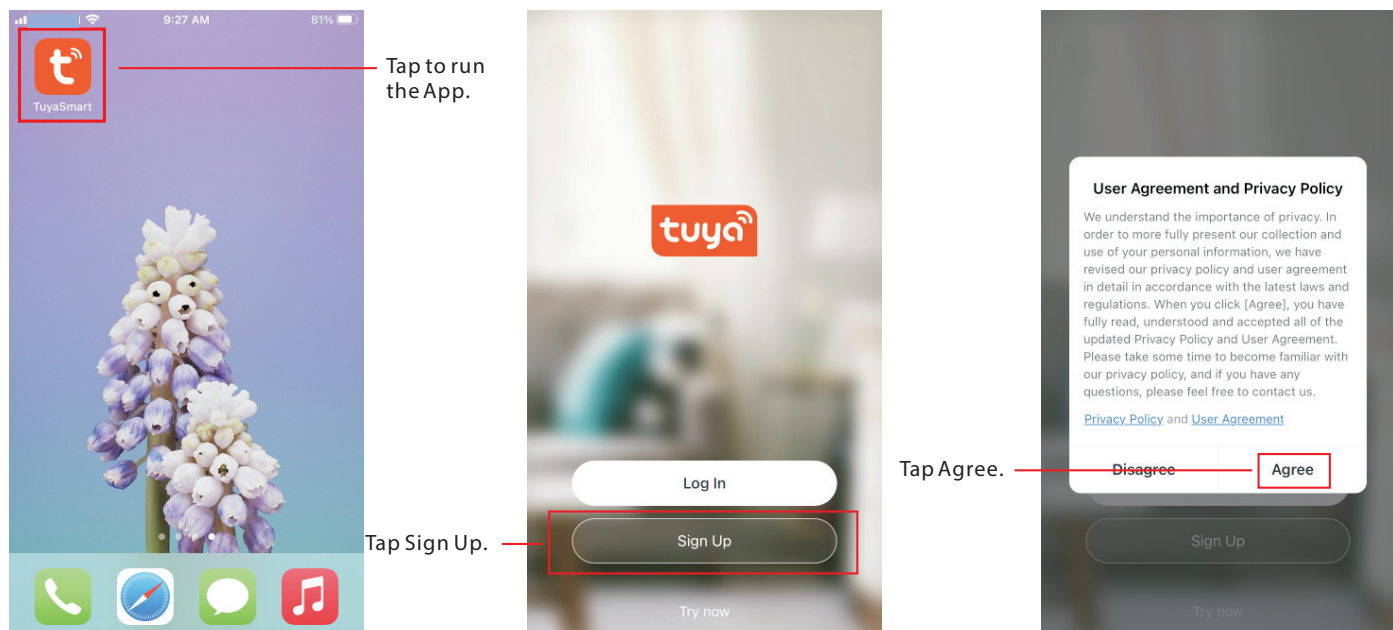
Safety & Warnings

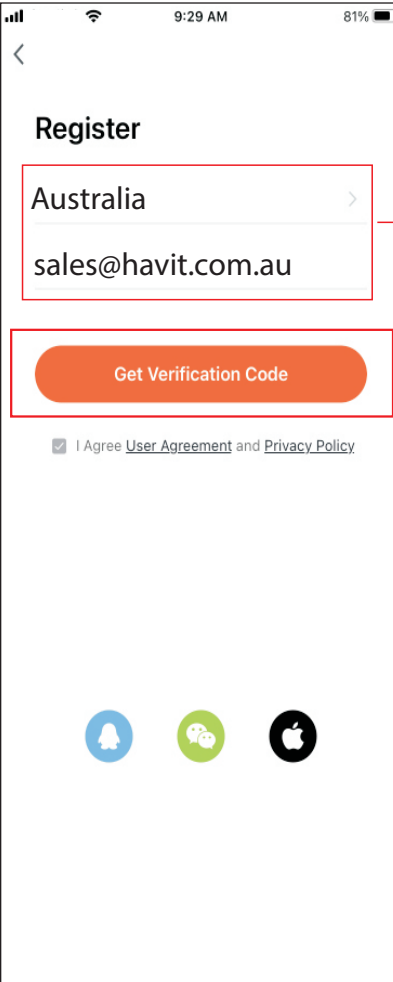
- DO NOT install with power applied to device.
- DO NOT expose the device to moisture.

Operation

1. Do wiring according to wiring diagram.
2. Pair the WiFi LED controller to the smart phone or tablet:

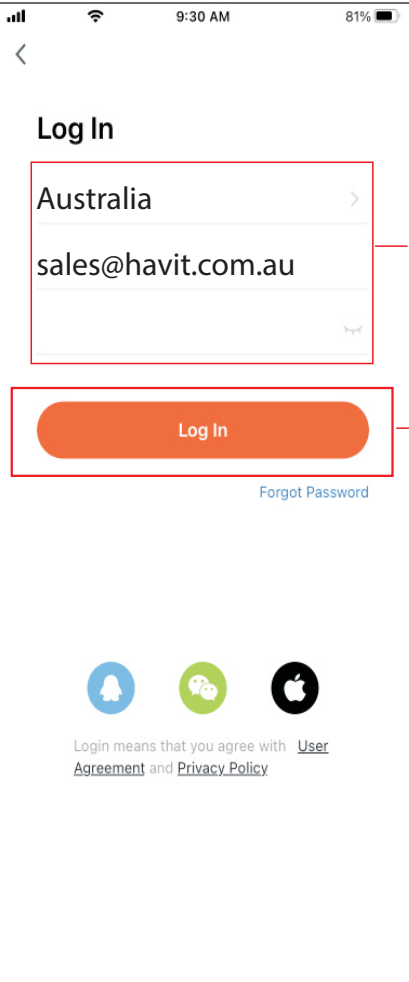
Step 1: Download the “TuyaSmart” APP from APP store or google play, and register an account as instructed, then log in the account. Please enable bluetooth on your smart phone in advance





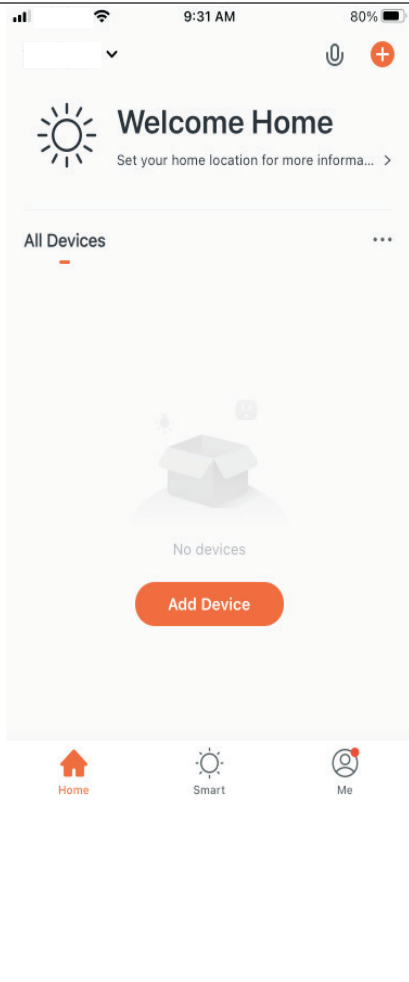
Select your region and add your email address.

Tap to get your verification code

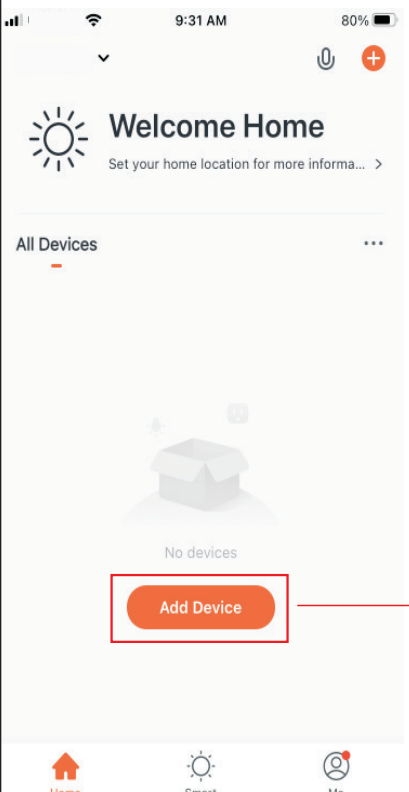


Log in with your account

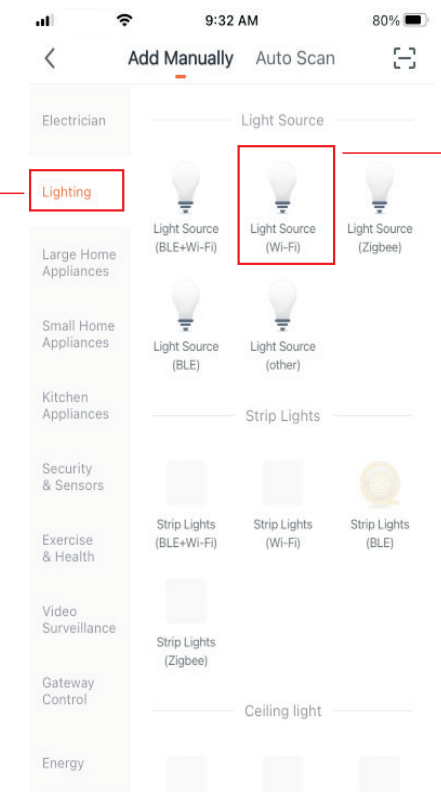
Tap to Log in



Step 2: Short press the "PROG" Button 5 times continuously (or turn off power of the controller 5 times) to reset the WIFI LED Controller to set it into PAIRING Mode, LED Light will blink rapidly, Then tap "Add Device" to pair the controller to your smart phone.



Tap to add Device



Tap Light Source (WIFI)

Select the same WIFI Network as the smart phone is connected to.

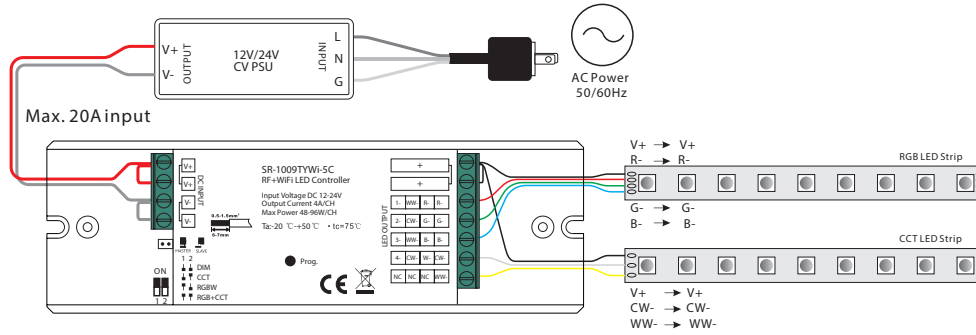
Tap to continue



Tap to continue

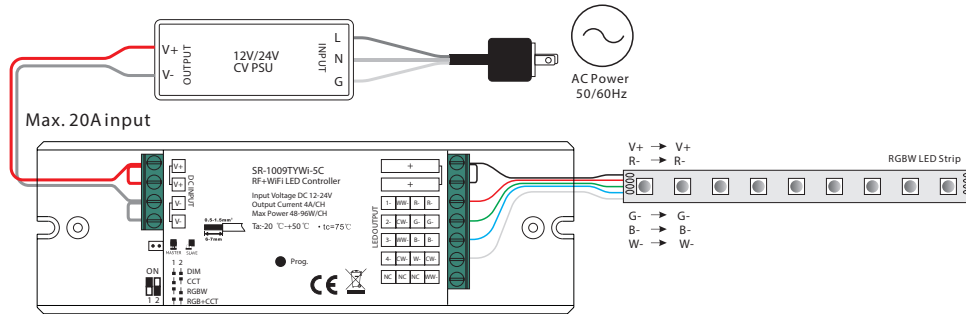
Wiring Diagram

1) RGB+CCT Mode



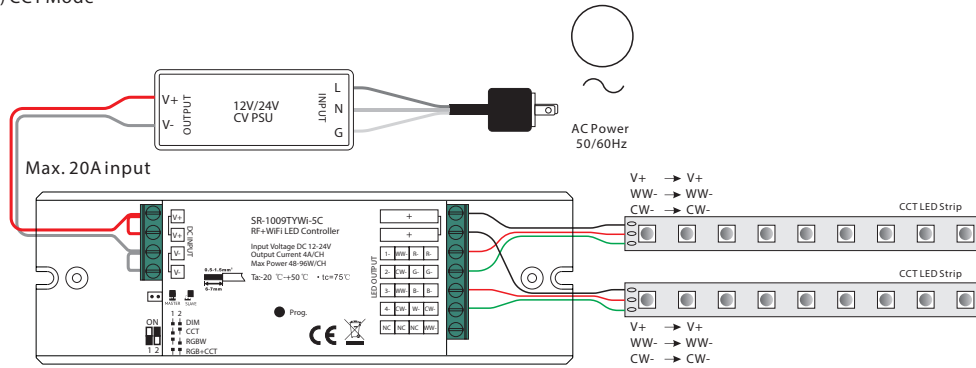
Note : please make sure the dip switches are at position for RGB+CCT mode as shown in above diagram.

2) RGBW Mode



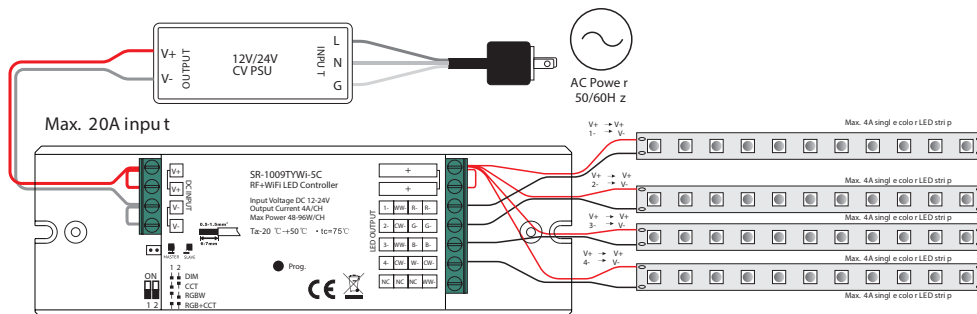
Note : please make sure the dial switches are at position for RGBW mode as shown in above diagram.

3) CCT Mode



Note : please make sure the dial switches are at position for CCT mode as shown in above diagram.

4) DIM Mode



Note : please make sure the dip switches are at position for DIM mode as shown in above diagram .