

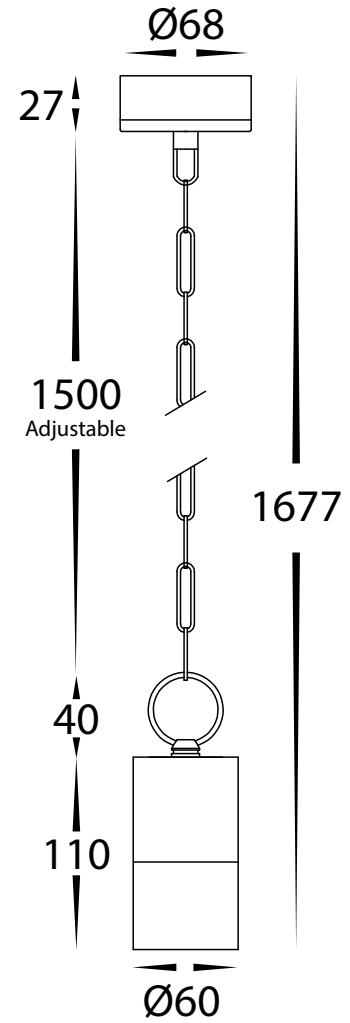
# Tivah Pendant Installation Instructions



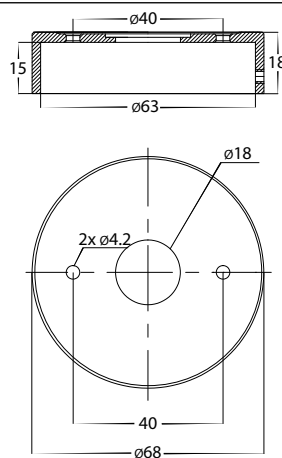
## Product Specifications

Model No.	HV5902T-AB-240V	HV5902T-BR-240V	HV5902T-BLK-240V	HV5902T-AB-240V	HV5902T-BR-240V	HV5902T-BLK-240V
Name	Tivah					
Material	Solid Brass					
Colour	Antique Brass	Brass	Black	Antique Brass	Brass	Black
Installation Type	Ceiling - Surface Mounted					
IP Rating	IP65					
Input Voltage	240v			12v DC - Constant Voltage		
Protection Class	1 (Requires Earth)			3 (Low Voltage - no earth required)		
Lamp Base	GU10			MR16		
Lamp Wattage	1x 5w			1x 5w		
Colour Temp	TRI-Colour - 3000k, 4000k, 5500k			TRI-Colour - 3000k, 4000k, 5500k		
Lumens	270lm, 285lm, 300lm			270lm, 285lm, 300lm		
CRI	> 80			> 80		
Wiring	Parallel			Parallel		
Dimmable	No - Not with globe supplied			No - Not with globe supplied		
Warranty	3 Years Replacement*			3 Years Replacement*		

## Dimensions



## Mounting Base Dimensions



## Important Safety Issues:

- This product must be installed by a qualified electrician according to AS/NZS 3000.
- Ensure all electrical mains are disconnected before any installation.
- Modification of this product will void any warranty.
- Havit Lighting does not take responsibility for wrong installation, incorrect use, or use of installation material that does not belong to the system.
- Aluminium and 304SS fittings must not be installed within 5km of any salt water environments.
- All o-rings and seals must be in place correctly to maintain warranty
- This form may be updated at any time due to product improvements, please check online installation form for most current version.

## Steps for Installation:

1. Make sure that the electrical circuit is free of voltage (master switch off)
2. Loosen allen screws on side of base and separate mounting bracket from fitting.
3. Install the backing plate securely using appropriate screws for application.
4. Adjust cable and chain to desired length and remove excess.
5. Connect the cable:
  - 240v Models: Use wire with earth for 240v Models connect earth first then positive and then neutral
  - 12v DC Models: 12v DC LED Driver - DO NOT CONNECT LIGHT FITTING DIRECTLY TO 240V, If more than one fitting installed, wiring must be done in parallel.
6. Colour temperature is preset to 3000k, to change remove cover from fitting by twisting anti clockwise and set aside. Remove globe and select desired colour temperature by moving switch on side of globe and then reinsert globe back into lampholder.
7. Reattach cover by turning clockwise making sure the seals are still in place and cover is tight to avoid any water penetration
8. All connections must be carried out carefully, inspect all contacts before switching back on the electric circuit.

## Steps for Changing Globe:

1. Remove the cover by twisting anti-clockwise and set aside, remove globe by also twisting anti-clockwise.
2. Re-insert the appropriate globe by inserting the 2 circular pins into the lampholder and twisting clockwise.  
(Make sure not to exceed max wattage, see product label for correct info)
3. Reattach cover by turning clockwise making sure the seals are still in place and caps are tight to avoid any water penetration.

## Must be installed by a licensed electrician

### Contact Details:

143 Beauchamp Road  
Matraville NSW 2036  
Australia

Tel: 02 9381 8300  
Fax: 02 9666 8881  
Email: sales@havit.com.au  
Web: www.havit.com.au

### Warranty Terms & Conditions\*



www.havit.com.au

