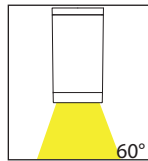
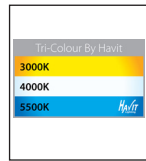


# Lexan Polycarbonate Surface Mounted Downlights



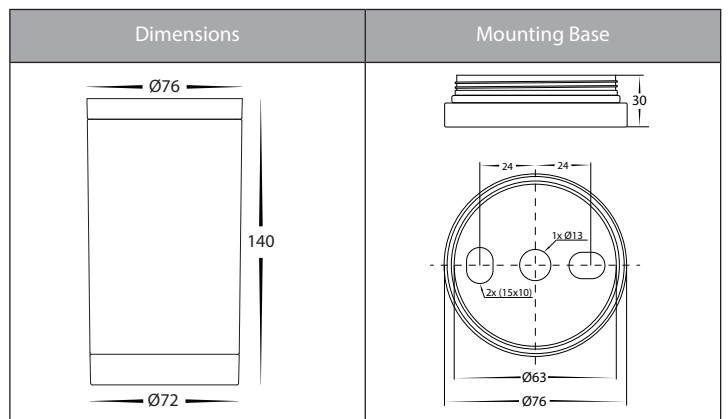
## Product Specifications

Name	Lexan
Material	Polycarbonate
Colour	White or Black
IP Rating	IP54
Tilt	No
Installation Type	Ceiling - Surface Mounted
Lamp Base	GU10
Protection Class	2 (No Earth Required)
Max Wattage	35w
Lamp Expectancy	<30,000hrs
Diffuser Type	Plastic
CRI	CRI>80
Dimmable	Yes - Triac
IK Rating	IK07
Warranty	3 Years Replacement*



## Optional Havit Compatible Accessories

Image	Part Number	Description
	HV9625	Triac Dimmer when used with Triac Dimmable Drivers



## Product Ordering

Image	Part Number	Colour Temp	Lumens	Input Voltage	Beam Angle	Included LED	Barcode
	<b>HV5831T-BLK</b>	3000k 4000k 5500k	240-560lm 255-595lm 270-630lm	240v AC	60°	<b>TRI Colour</b> 3/5/7w GU10 LED	9350418019394
	<b>HV5831T-WHT</b>	3000k 4000k 5500k	240-560lm 255-595lm 270-630lm	240v AC	60°	<b>TRI Colour</b> 3/5/7w GU10 LED	9350418019400

\*Items ordered after 01-01-2022

Havit Lighting  
143 Beauchamp Road,  
Matraville, N.S.W. 2036

Phone: 02 9381 8300  
Email: sales@havit.com.au  
Web: www.havit.com.au



Warranty Terms & Conditions



www.havit.com.au