

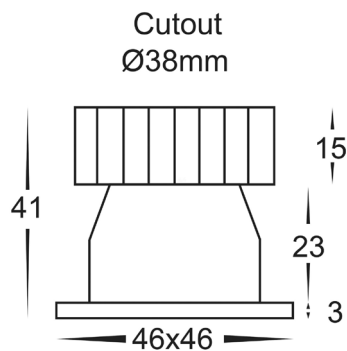
Product Specifications

Model No.	HV5701T-BLK	HV5702T-BLK	HV5701T-WHT	HV5702T-WHT
Name	Niche			
Material	Aluminium			
Colour	Black		White	
IP Rating	Fitting: IP54 LED Driver: IP20			
Input Voltage	240v AC - Supplied with Remote LED Driver complete with Flex and Plug			
Lamp Base	Built in LED			
Lamp Wattage	1 x 3W			
Colour Temp	3000k, 4000k, 5500k		3000k, 4000k, 5500k	
Lumens	240lm, 265lm, 270lm		240lm, 265lm, 270lm	
CRI	> 80			
Wiring	Parallel			
Dimmable	Yes, Triac Dimmable			
Warranty	3 Years Replacement*			

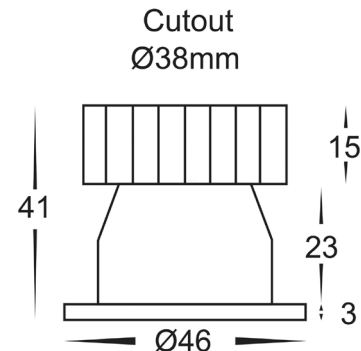
Important Safety Issues:

- This product must be installed by a qualified electrician according to AS/NZS 3000.
- Ensure all electrical mains are disconnected before any installation.
- Modification of this product will void any warranty.
- Havit Lighting does not take responsibility for wrong installation, incorrect use, or use of installation material that does not belong to the system.
- Aluminium and 304SS fittings must not be installed within 5km of any salt water environments.
- All o-rings and seals must be in place correctly to maintain warranty
- The light fitting component of this product does not have any replaceable parts, Therefore once light fitting stops working, Whole light fitting will have to be replaced.
- This fitting cannot be installed with loose fill insulation.
- Driver supplied with fitting must be used and cannot be replaced to run multiple fittings of 1 larger driver (Warranty will be voided)
- This form may be updated at any time due to product improvements, please check online installation form for most current version.

HV5701T Dimensions



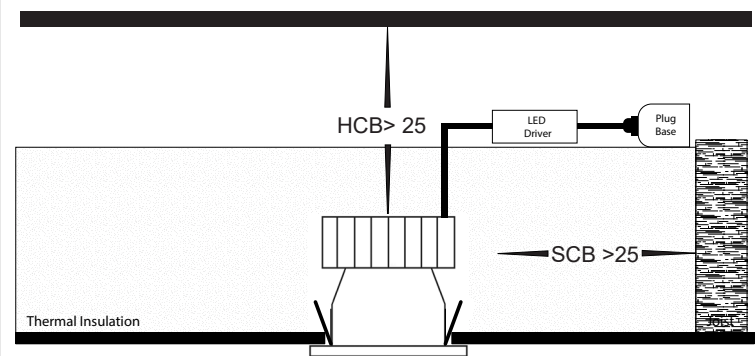
HV5702T Dimensions



Steps for Installation:

1. Make sure that the electrical circuit is free of voltage (master switch off)
2. Cut a hole using cut out size from Dimensions above, Make sure placement of fitting allows for minimum distance from joists and ceiling above if any. See installation diagram for measurements.
3. If using a plug base Insert plug into hole.
4. If Hardwiring, Cut plug to expose cables, Strip back cable and safely terminate to cable exposed through ceiling hole making sure polarity is correct.
5. Insert driver into hole making sure this is not placed beneath any insulation, Driver must have proper ventilation to prolong life of fitting. Failure to do this will void warranty.
6. Apply pressure on springs on downlight and insert into hole and release.
7. If Using a plug base, Plug cable supplied with fitting into plug base.
8. All connections must be carried out carefully, inspect all contacts before switching back on the electric circuit

Installation Diagram



Must be installed by a licensed electrician

Contact Details:

143 Beauchamp Road
Matraville NSW 2036
Australia

Tel: 02 9381 8300
Fax: 02 9666 8881
Email: sales@havit.com.au
Web: www.havit.com.au

Warranty Terms & Conditions*



Additional Information

