

Maro Wall Light Installation Instructions



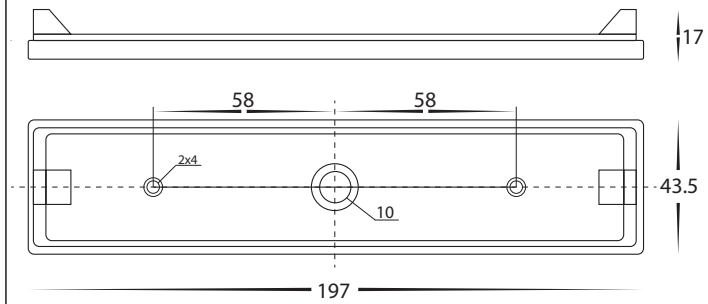
Product Specifications

Model No.	HV3697T-BLK-240V	HV3697T-WHT-240V	HV3697T-BLK-12V	HV3697T-WHT-12V
Name	Maro			
Material	Aluminium			
Colour	Black	White	Black	White
IP Rating	IP54		IP54	
Protection Class	1 (240v Requires Earth)		3 (Low Voltage)	
Input Voltage	240v AC		12v DC	
Lamp Base	Built in LED		Built in LED	
Lamp Wattage	8x 1w		8x 1w	
Colour Temp	TRI Colour - 3000k, 4000k, 5500k		TRI Colour - 3000k, 4000k, 5500k	
Lumens	2x 220lm, 2x 223lm, 2x 222lm		2x 220lm, 2x 223lm, 2x 222lm	
CRI	> 80		> 80	
Wiring	Parallel		Parallel	
Dimmable	No		No	
Warranty	3 Years Replacement*		3 Years Replacement*	

Dimensions



Mounting Base Diagram



Important Safety Issues:

- This product must be installed by a qualified electrician according to AS/NZS 3000.
- Ensure all electrical mains are disconnected before any installation.
- Modification of this product will void any warranty.
- Havit Lighting does not take responsibility for wrong installation, incorrect use, or use of installation material that does not belong to the system.
- Aluminium and 304SS fittings must not be installed within 5km of any salt water environments.
- All o-rings and seals must be in place correctly to maintain warranty
- This form may be updated at any time due to product improvements, please check online installation form for most current version.

Steps for Installation:

1. Make sure that the electrical circuit is free of voltage (master switch off)
2. Loosen allen screws from side of fitting.
3. Remove base plate from fitting.
4. Install base plate to wall in desired location using appropriate screws for application.
5. Seal all holes including cable entry and around screws
6. 240v Models
 - - Use wire with earth; connect the earth first, then live and neutral wire.
7. 12v DC Models, Use an appropriate 12v DC LED Driver - **DO NOT CONNECT LIGHT FITTING DIRECTLY TO 240V** -
 - Connect Live and then neutral.
8. Fitting is preset to 3000k, to change slide switch located inside base of fitting to desired colour temperature.
9. Reattach fitting to base plate making sure screws are tight to avoid any water penetration.
10. Apply silicon around edge of fitting to prevent any water from getting inside to electrical connections.
11. All connections must be carried out carefully, inspect all contacts before switching back on the electric circuit.

Must be installed by a licensed electrician

Contact Details:

143 Beauchamp Road
Matraville NSW 2036
Australia

Tel: 02 9381 8300
Fax: 02 9666 8881
Email: sales@havit.com.au
Web: www.havit.com.au

Warranty Terms & Conditions*



Additional Information

