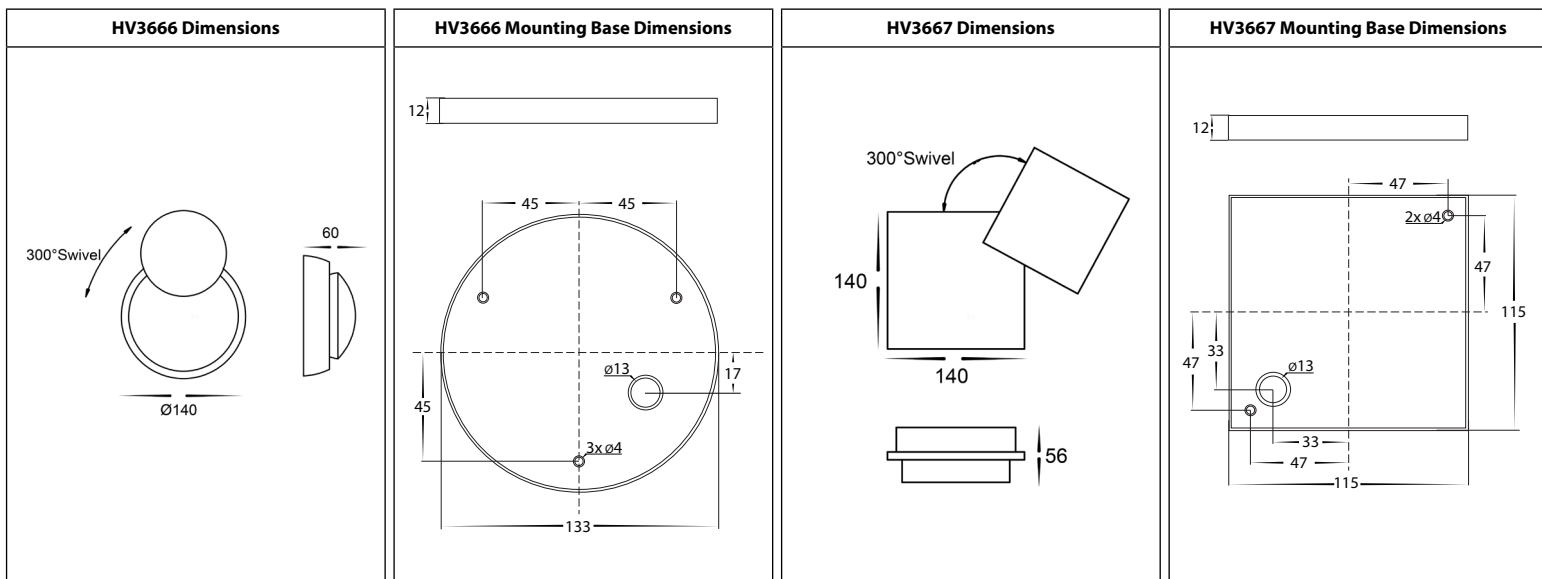


Pivot Wall Light Installation Instructions



Product Specifications

Model No.	HV3666T-BLK	HV3666T-WHT	HV3667T-BLK	HV3667T-WHT
Name	Pivot			
Material	Aluminium			
Colour	Black	White	Black	White
IP Rating	IP54			
Protection Class	1 (240v Requires Earth) ⚡			
Input Voltage	240v AC			
Lamp Base	Built in LED			
Lamp Wattage	1x 10w			
Colour Temp	TRI Colour - 3000k, 4000k, 5500k			
Lumens	380lm, 460lm, 430lm			
CRI	> 80			
Wiring	Parallel			
Dimmable	No			
Warranty	3 Years Replacement*			



Important Safety Issues:

- This product must be installed by a qualified electrician according to AS/NZS 3000.
- Ensure all electrical mains are disconnected before any installation.
- Modification of this product will void any warranty.
- Havit Lighting does not take responsibility for wrong installation, incorrect use, or use of installation material that does not belong to the system.
- Aluminium and 304SS fittings must not be installed within 5km of any salt water environments.
- All o-rings and seals must be in place correctly to maintain warranty
- This form may be updated at any time due to product improvements, please check online installation form for most current version.

Steps for Installation:

1. Make sure that the electrical circuit is free of voltage (master switch off)
2. Remove base plate from fitting.
3. Loosen allen screws from side of fitting.
4. Install base plate to wall in desired location using appropriate screws for application.
5. Seal all holes including cable entry and around screws
6. Connect the cable - Use wire with earth; connect the earth first, then live and neutral wire.
7. Fitting is preset to 3000k, to change slide switch located inside base of fitting to desired colour temperature.
8. Reattach fitting to base plate making sure allen screws are tight to avoid any water penetration.
9. Apply silicon around edge of fitting to prevent any water from getting inside to electrical connections.
10. Adjust fitting to desired position making sure to stop rotating when fitting cannot rotate anymore, If forced fitting will continue to rotate and cause internal cables to become entangled causing fitting to short. If this is done, warranty will be voided.
11. All connections must be carried out carefully, inspect all contacts before switching back on the electric circuit.

Must be installed by a licensed electrician

Contact Details:

143 Beauchamp Road
Matraville NSW 2036
Australia

Tel: 02 9381 8300
Fax: 02 9666 8881
Email: sales@havit.com.au
Web: www.havit.com.au

Warranty Terms & Conditions*



Additional Information

