

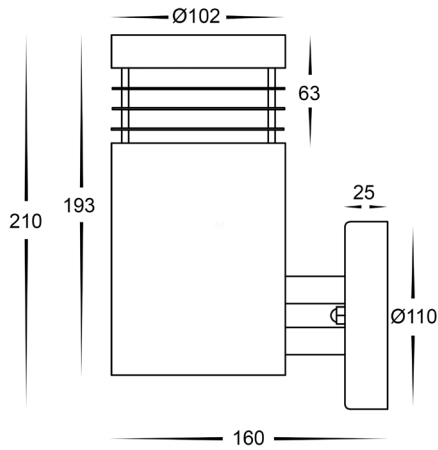
Product Specifications

Model No.	HV3621T-BLK	HV3621T-SS316	HV3622T-BLK	HV3622T-SS316
Name	Mini		Mini Louvre	
Material	316 Stainless Steel			
Colour	Black	Stainless Steel	Black	Stainlesse Steel
IP Rating	IP54			
Input Voltage	240v AC			
Protection Class	1 (240v Requires Earth) ⚡			
Lamp Base	E27			
Lamp Wattage	1x 9w			
Colour Temp	TRI Colour - 3000k, 4000k, 5500k			
Lumens	700lm, 720lm, 740lm			
CRI	> 80			
Wiring	Parallel			
Dimmable	No			
Warranty	3 Years Replacement*			

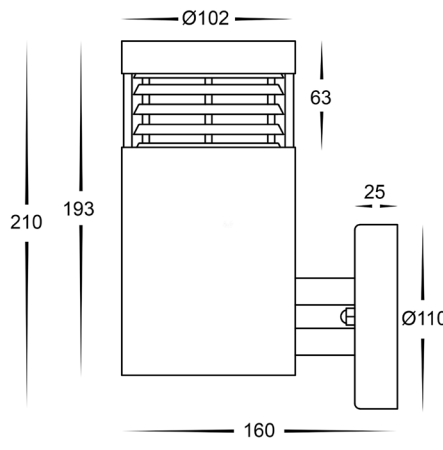
Important Safety Issues:

- This product must be installed by a qualified electrician according to AS/NZS 3000.
- Ensure all electrical mains are disconnected before any installation.
- Modification of this product will void any warranty.
- Havit Lighting does not take responsibility for wrong installation, incorrect use, or use of installation material that does not belong to the system.
- Aluminium and 304SS fittings must not be installed within 5km of any salt water environments.
- All 316 & 304 stainless steel fittings must have regular cleaning maintenance to avoid any tea staining from forming on fitting. (Warranty does not cover Tea Staining)
- All o-rings and seals must be in place correctly to maintain warranty
- This form may be updated at any time due to product improvements, please check online installation form for most current version.

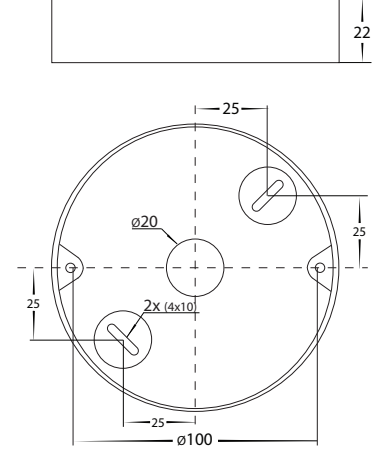
HV3621T Dimensions



HV3622T Dimensions



Mounting Base Diagram



Steps for Installation:

1. Make sure that the electrical circuit is free of voltage (master switch off)
2. Remove nuts from front of fitting and set aside.
3. Remove base plate from fitting.
4. Install base plate to wall in desired location.
5. Connect the cable - use wire with earth; connect the earth first, then live and neutral wire.
6. Seal all holes including cable entry and around screws to avoid any water penetration.
7. Reattach fitting to base plate making nuts are tight to avoid water penetration.
8. Seal around base plate using silicon to avoid any water from getting into electrical connections.
9. Colour temperature is set to 3000K. To change, remove cover from fitting by twisting anti clockwise. for HV3621 models, remove the 2x nuts and washers and put aside. Remove globe by also twisting anti clockwise and select desired colour temperature by moving switch on side of globe and then reinsert globe.
10. Reattach cover by turning clockwise and for HV3621 Models, reattach the 2x nuts first, making sure the seals are still in place and cover is tight to avoid any water penetration.
11. Apply silicon around edge of fitting to prevent any water from getting inside to electrical connections.
12. All connections must be carried out carefully, inspect all contacts before switching back on the electric circuit.

Steps for Changing Globe:

1. Remove cover from fitting by twisting anti clockwise. for HV3621 models, remove the 2x nuts and washers and put aside. Remove globe by also twisting anti clockwise.
2. Re-insert the appropriate globe by twisting clockwise into the lamp holder. (Make sure not to exceed max wattage, see product label for correct info)
3. Reattach cover by turning clockwise and for HV3621 Models, reattach the 2x nuts first, making sure the seals are still in place and cover is tight to avoid any water penetration.

Must be installed by a licensed electrician

Contact Details:

143 Beauchamp Road
Matraville NSW 2036
Australia

Tel: 02 9381 8300
Fax: 02 9666 8881
Email: sales@havit.com.au
Web: www.havit.com.au

Warranty Terms & Conditions*



Additional Information

