

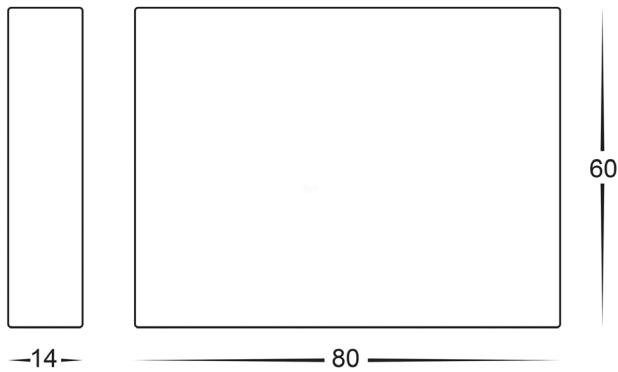
# Stylez Step Light Installation Instructions



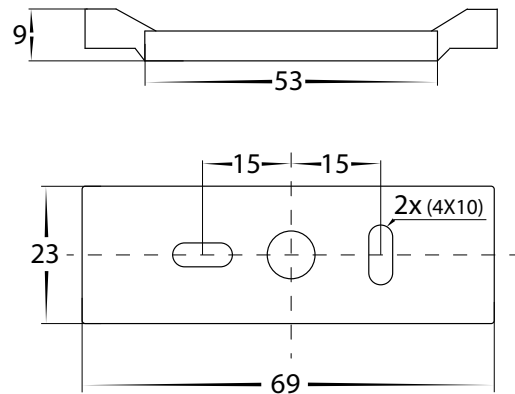
## Product Specifications

Model No.	HV3288W-AB	HV3288C-AB	HV3288W-BR	HV3288C-BR	HV3288W-GPH	HV3288C-GPH	HV3288W-BLK	HV3288C-BLK	HV3288W-WHT	HV3288C-WHT	HV3288W-SS316	HV3288C-SS316
Name	Stylez											
Material	Brass						316 Stainless Steel					
Colour	Antique Brass	Brass	Graphite	Black	White	Stainless Steel						
IP Rating	IP65											
IK Rating	IK10											
Installation Type	Wall - Surface Mounted											
Input Voltage	12v DC											
Protection Class	3 (Low Voltage - no earth required) ⚡											
Lamp Base	Built in LED											
Lamp Wattage	1x 3w											
Colour Temp	3000k	5500k	3000k	5500k	3000k	5500k	3000k	5500k	3000k	5500k	3000k	5500k
Lumens - HV3288	240lm	250lm	240lm	250lm	240lm	250lm	240lm	250lm	240lm	250lm	240lm	250lm
CRI	> 80											
Dimmable	No											
Warranty	3 Years Replacement*											

## Dimensions



## Mounting Base Diagram



## Important Safety Issues:

- This product must be installed by a qualified electrician according to AS/NZS 3000.
- Ensure all electrical mains are disconnected before any installation.
- Modification of this product will void any warranty.
- Havit Lighting does not take responsibility for wrong installation, incorrect use, or use of installation material that does not belong to the system.
- When installing low voltage fittings, Voltage to fitting must be within +/- 5% of voltage required and cannot be installed more than 25m from LED Driver, if not within this allowance warranty will be voided.
- When installing copper or brass fittings, gloves must be worn to avoid any oils transferring to fitting.
- All 316 stainless steel fittings must have regular cleaning maintenance to avoid any tea staining from forming on fitting. (Warranty does not cover Tea Staining)
- Aluminium, 304SS, Powder Coated Brass/316SS fittings must not be installed within 5km of any salt water environments including pools
- All o-rings and seals must be in place correctly to maintain warranty.
- These instructions may be updated at any time due to product improvements, Please visit website for most current installation instructions.

## Steps for Installation:

1. Make sure that the electrical circuit is free of voltage (master switch off)
2. Remove base plate from fitting by loosening allen screws on side of fitting.
3. Install mounting bracket in desired location.
4. Using an appropriate 12v DC LED Driver - DO NOT CONNECT LIGHT FITTING DIRECTLY TO 240V
5. Connect the cable - If more than one fitting installed, wiring must be done in parallel.
6. Strip back the cable on both fitting and cable run and twist the positive cables together. Then connect neutral cables together
7. Solder all joins using solder and either a heat gun or butane gas torch.
8. Cover connections using an adhesive lined heat shrink or gel cap to make connection watertight. Failure to do this will void warranty.
9. Heat the heat shrink or crimp the gel cap making sure all connections are covered.
10. Reattach fitting to base plate making sure allen screws are tight to avoid water penetration
11. Apply silicon around edge of fitting to prevent any water from getting inside to electrical connections.
12. All connections must be carried out carefully, inspect all contacts before switching back on the electric circuit.

## Must be installed by a licensed electrician

### Contact Details:

143 Beauchamp Road  
Matraville NSW 2036  
Australia

Tel: 02 9381 8300  
Fax: 02 9666 8881  
Email: sales@havit.com.au  
Web: www.havit.com.au

### Warranty Terms & Conditions\*



### Additional Information

