

Veko Wall Light with Eyelid Installation Instructions



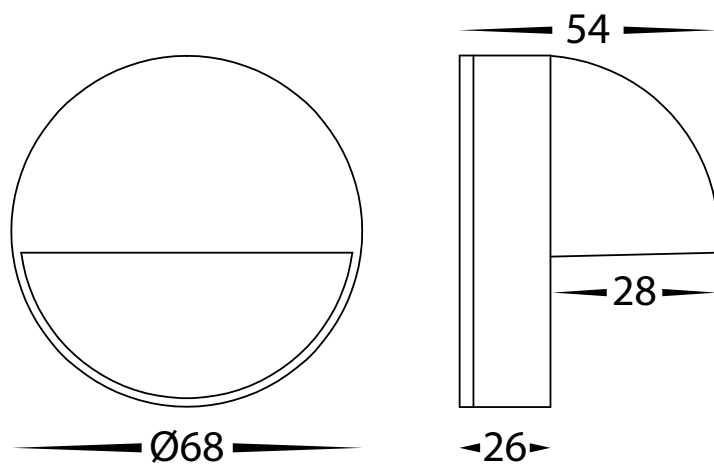
Product Specifications

Model No.	HV2927T-BLK-12V	HV2927T-WHT-12V	HV2927T-BLK-240V	HV2927T-WHT-240V
Name	Veko			
Material	Aluminium			
Colour	Black	White	Black	White
IP Rating	IP65			
Installation Type	Wall - Surface Mounted			
Input Voltage	12v DC		240v AC	
Protection Class	3 (Low Voltage) ⚡		1 (Requires Earth) ⊕	
Lamp Base	Built in LED		Built in LED	
Lamp Wattage	2w		2w	
Colour Temp	TRI Colour - 3000k, 4000k, 5500k		TRI Colour - 3000k, 4000k, 5500k	
Lumens	100lm, 110lm, 105lm		100lm, 110lm, 105lm	
CRI	> 80			
Wiring	Parallel			
Dimmable	No			
Warranty	3 Years Replacement*			

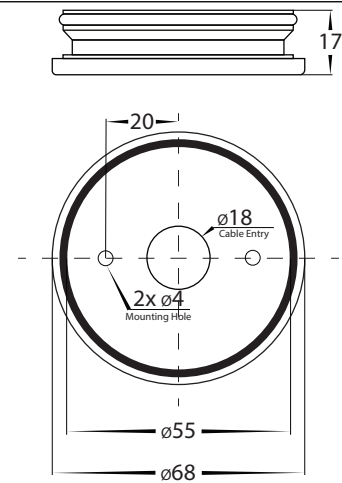
Important Safety Issues:

- This product must be installed by a qualified electrician according to AS/NZS 3000.
- Ensure all electrical mains are disconnected before any installation.
- Modification of this product will void any warranty.
- Havit Lighting does not take responsibility for wrong installation, incorrect use, or use of installation material that does not belong to the system.
- When installing low voltage fittings, Voltage to fitting must be within +or- 5% of voltage required and cannot be installed more than 25m from LED Driver, if not within this allowance warranty will be voided.
- Aluminium and 304SS fittings must not be installed within 5km of any salt water environments.
- All o-rings and seals must be in place correctly to maintain warranty.
- These instructions may be updated at any time due to product improvements, Please visit website for most current installation instructions.

Dimensions



Mounting Base



Steps for Installation:

- Make sure that the electrical circuit is free of voltage (master switch off)
- Loosen or remove allen screws from side of fitting as set aside if removed.
- 240v Model - Use wire with earth; connect the earth first, then live and neutral wire.
- 12v DC Models - Using an appropriate 12v DC Constant Voltage LED Driver - DO NOT CONNECT LIGHT FITTING DIRECTLY TO 240V.
- Connect the cable - If more than one fitting installed, wiring must be done in parallel.
- Strip back the cable on both fitting and cable run and (for 240v Models - twist the earth cables together first) twist the positive cables together. Then connect neutral cables together.
- Solder all joins using solder and either a heat gun or butane gas torch.
- Cover connections using an adhesive lined heat shrink or gel cap to make connection watertight. Failure to do this will void warranty.
- Heat the heat shrink or crimp the gel cap making sure all connections are covered.
- Install base plate in desired location, Seal all holes in the backing plate including cable entry and screw holes.
- Fitting is preset to 3000k, To change move switch located inside fitting to desired colour temperature.
- Reattach face onto fitting making sure seals are still in place
- Reinsert allens screws if removed and tighten making sure seals are still in place to avoid water penetration into fitting.
- Apply silicon around edge of fitting to prevent any water from getting inside to electrical connections.
- All connections must be carried out carefully, inspect all contacts before switching back on the electric circuit.

Must be installed by a licensed electrician

Contact Details:

143 Beauchamp Road
 Matraville NSW 2036
 Australia
 Tel: 02 9381 8300
 Fax: 02 9666 8881
 Email: sales@havit.com.au
 Web: www.havit.com.au

Warranty Terms & Conditions*



www.havit.com.au

