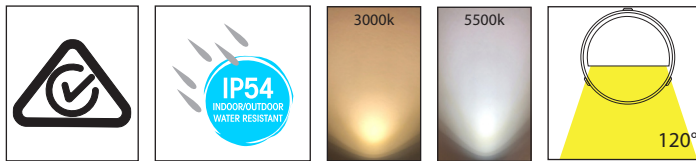


# Pinta 316 Stainless Steel Wall or Step Lights with Eyelid



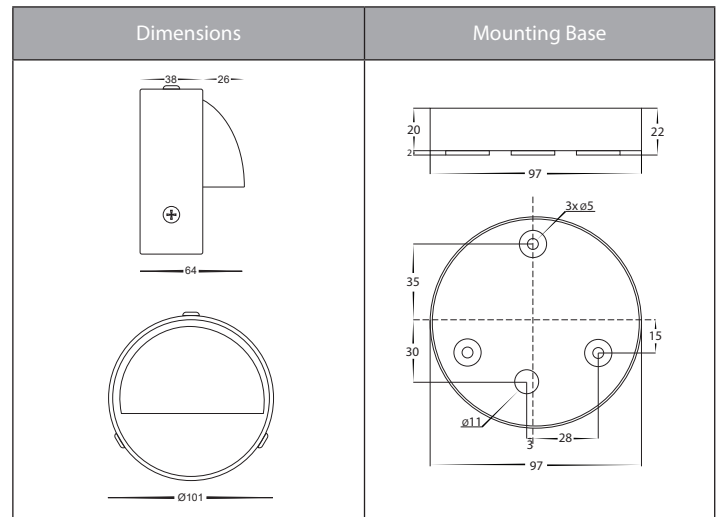
## Product Specifications

Name	Pinta
Material	316 Stainless Steel
Colour	Stainless Steel
IP Rating	IP54
IK Rating	IK10
Installation Type	Wall - Surface Mounted
Cable Length	150mm
Lamp Base	G9, G4 & Built in LED
Max Wattage	G9 = 25w   G4 = 20w
Protection Class	240v = 1 (Requires Earth)
	12v DC = 3 (No Earth Required)
Lamp Expectancy	<30,000hrs
Diffuser Type	Glass
CRI	CRI>80
Dimmable	No
Warranty	3 Years Replacement*



## Optional Havit Compatible Accessories

Image	Part Number	Description
	HV9511W HV9511C	G9 LED Globe Available in 2w 3000k and 5500k
	HV9523-3.2W HV9529-3.2W	G4 LED Globe Available in 3.2w 3000k and 5500k
	HV9971	Stainless Steel Maintenance Kit - Kit includes rejuvenating paste + Spray for final protection coating
	12v DC LED Drivers	See Catalogue or Website for full range of 12v DC LED Drivers
	HV9911	Small IP67 Weatherproof Connector
	HV9912	Medium IP67 Weatherproof Connector
	HV9913	Large IP67 Weatherproof Connector



## Product Ordering

Part Number	Colour Temp	Lumens	Input Voltage	Beam Angle	Included LED	Barcode
<b>HV2906</b>	N/A	N/A	240v AC	N/A	No Globe Supplied	9350418001627
<b>HV2907</b>	N/A	N/A	12v	N/A	No Globe Supplied	9350418001634
<b>HV2908W</b>	3000k	160lm	240v AC	120°	2.3w Built in LED	9350418001658
<b>HV2908C</b>	5500k	180lm	240v AC	120°	2.3w Built in LED	9350418001641
<b>HV2909W</b>	3000k	160lm	12v DC	120°	2.3w Built in LED	9350418001672
<b>HV2909C</b>	5500k	180lm	12v DC	120°	2.3w Built in LED	9350418001665

\*Items ordered after 01-01-2022