

PRODUCT SPECIFICATIONS

Name: Pinta

Material: 316 Stainless Steel

Colour: Stainless Steel

CRI: ≥80

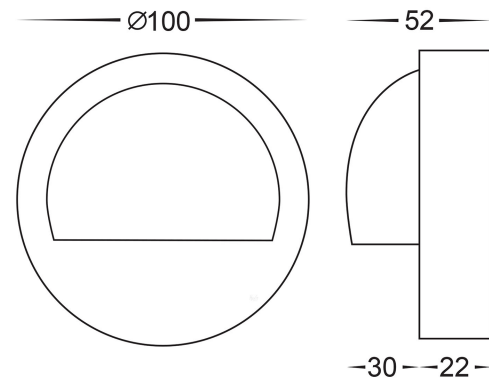
IP Rating: IP65

Lamp Base: G9, G4 or Built in LED

Wiring: Parallel

Dimmable: No

Warranty: 2 years replacement**



PART NUMBER	COLOUR TEMP	LUMENS	INPUT VOLTAGE	BEAM ANGLE	INCLUDED GLOBES
HV2901	N/A	N/A	240v	N/A	G9 25w Max (not supplied with globes)
HV2902	N/A	N/A	12v	N/A	G4 20w Max (not supplied with globes)
HV2903T	5500k 4000k 3000k	180lm 170lm 160lm	240v	120°	2.3w 240v TRI Colour LED
HV2904T	5500k 4000k 3000k	180lm 170lm 160lm	12v DC	120°	2.3w 12v DC TRI Colour LED

12v DC models must be used with suitable 12v DC LED driver

* Lumen output measured at source

** See Warranty Terms and Conditions for more information