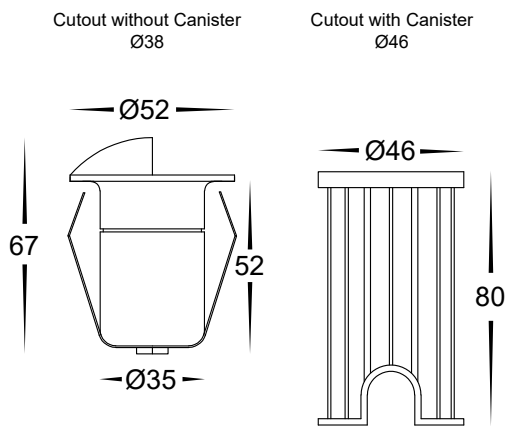


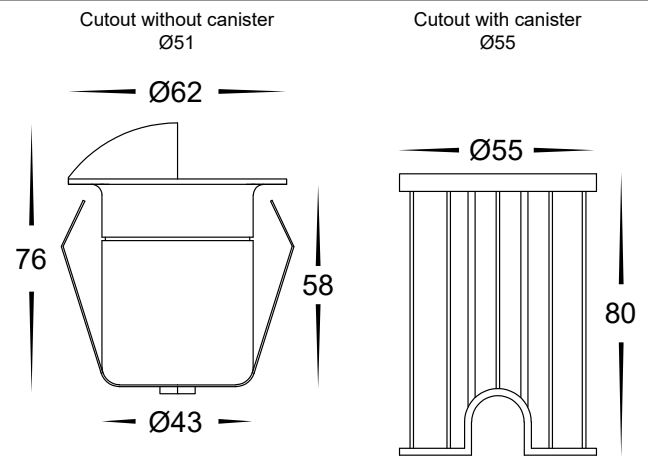
## Product Specifications

Model No.	HV2883T-BLK	HV2883T-SLV	HV2884T-BLK	HV2884T-SLV
Name	Elite			
Material	Aluminium		Aluminium	
Colour	Black	Silver	Black	Silver
IP Rating	IP65			
Input Voltage	12v DC			
Lamp Base	Built in LED			
Lamp Wattage	1x 3w		1x 5w	
Colour Temp	TRI Colour - 3000k, 4000k, 5500k		TRI Colour - 3000k, 4000k, 5500k	
Lumens	220lm, 230lm, 225lm		350lm, 360lm, 355lm	
CRI	> 80			
Wiring	Parallel			
Dimmable	Yes - Triac			
Warranty	3 Years Replacement*			

### HV2883T Dimensions



### HV2884T Dimensions



### Important Safety Issues:

- This product must be installed by a qualified electrician according to AS/NZS 3000.
- Ensure all electrical mains are disconnected before any installation.
- Modification of this product will void any warranty.
- Havit Lighting does not take responsibility for wrong installation, incorrect use, or use of installation material that does not belong to the system.
- When installing low voltage fittings, Voltage to fitting must be within +or- 5% of voltage required and cannot be installed more than 25m from LED Driver, if not within this allowance warranty will be voided.
- Aluminium and 304SS fittings must not be installed within 5km of any salt water environments.
- All 316 stainless steel fittings must have regular cleaning maintenance to avoid any tea staining from forming on fitting. (Warranty does not cover Tea Staining)
- When installing copper fittings, gloves must be worn to avoid any oils transferring to fitting.
- All o-rings and seals must be in place correctly to maintain warranty.
- These instructions may be updated at any time due to product improvements, Please visit website for most current installation instructions.

### Steps for Installation:

1. Make sure that the electrical circuit is free of voltage (master switch off)
2. Make a hole where fitting is to be placed using dimensions provided on line drawings,
3. Using an appropriate 12v DC LED Driver - DO NOT CONNECT LIGHT FITTING DIRECTLY TO 240V
4. If installing into concrete, insert canister making sure it is flush with wall.
5. Connect the cable - If more than one fitting installed, wiring must be done in parallel.
6. Strip back the cable on both fitting and cable run and twist the positive cables together.
7. Neutral cables are marked for selection of colour temperature. If 3000k or 5500k is selected you must terminate extra cable to be IP Rated to avoid any water making contact with internal parts of cable. To get 4000k, Join both 3000k + 5500k together and connect to neutral on cable run.
8. Solder all joins using solder and either a heat gun or butane gas torch.
9. Cover connections using an adhesive lined heat shrink or gel cap to make connection watertight. Failure to do this will void warranty.
10. Heat the heat shrink or crimp the gel cap making sure all connections are covered.
11. Insert fitting into hole or canister
12. Apply silicon around edge of fitting to prevent any water from getting inside to electrical connections.
13. All connections must be carried out carefully, inspect all contacts before switching back on the electric circuit.

## Must be installed by a licensed electrician

### Contact Details:

143 Beauchamp Road  
Matraville NSW 2036  
Australia  
Tel: 02 9381 8300  
Fax: 02 9666 8881  
Email: sales@havit.com.au  
Web: www.havit.com.au

### Warranty Terms & Conditions\*



### Additional Information

