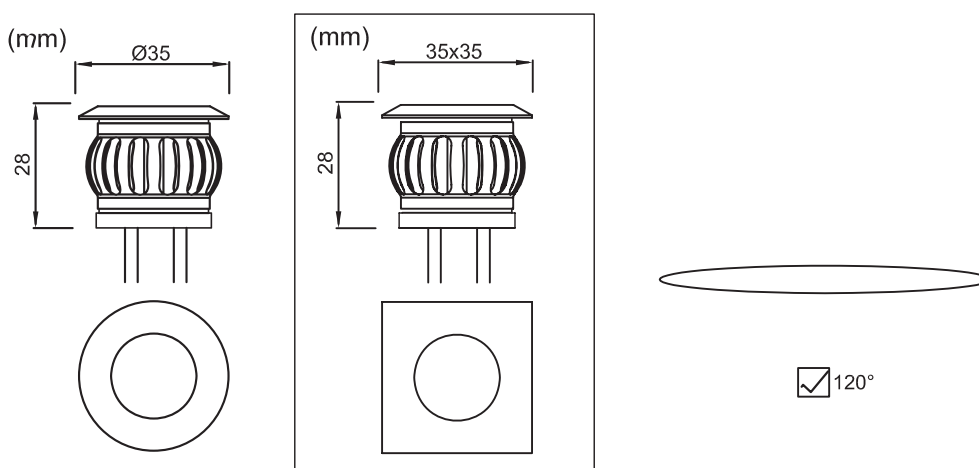







HV2826W, HV2826RGB, HV28261W, HV28261RGB - LED Deck Lights / Installation Instructions



Model No.	Voltage	Power	LED	CCT(K)	Size(DXH)	Material	IP Grade
HV2826W / HV28261W	DC12V	0.5W	Epistar	3000K	ø35X28	SS316	IP67
HV2826RGB / HV28261RGB	DC12V	0.5W	Epistar	RGB	ø35X28	SS316	IP67



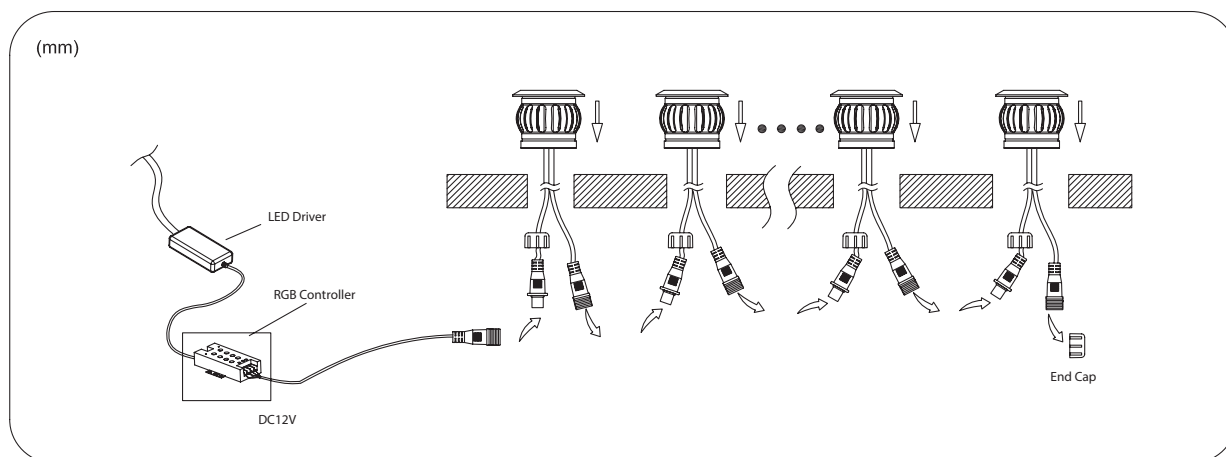
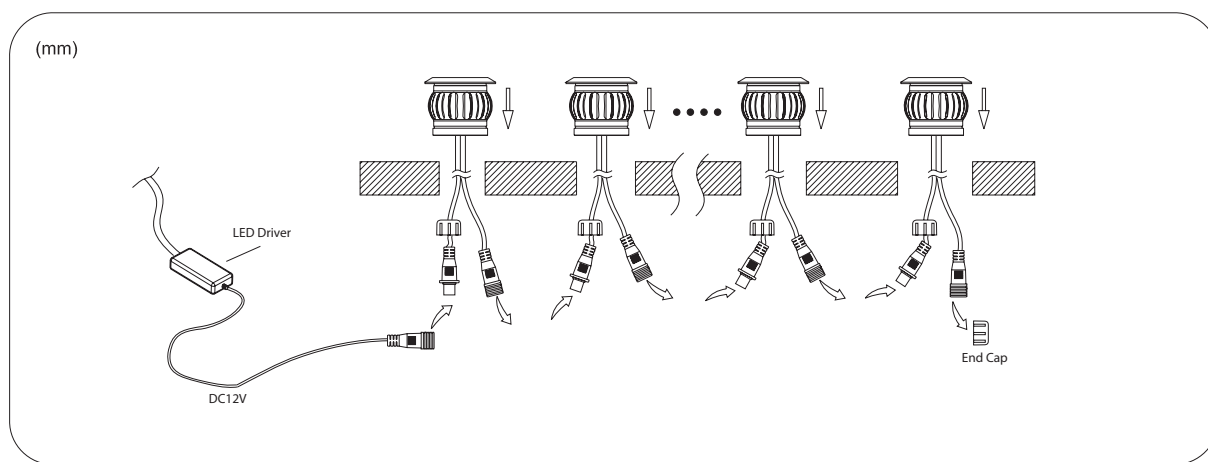
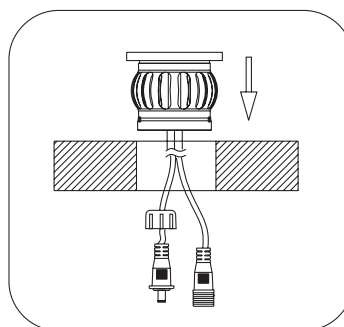
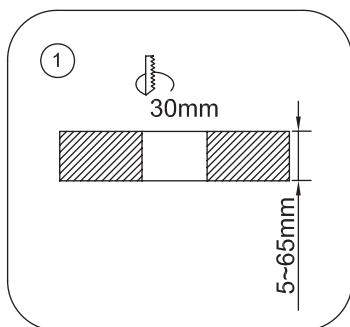
Symbols

-  Dust tight - zero ingress of dust permitted. Protected against the effects of immersion between 15cm to 1m.
-  The WEEE symbol (Waste of electrical and electronic equipment) - indicating separate collection for WEEE-Waste.
-  Class of protection (SELV).
-  All materials used comply with RoHS standards.
-  LED light source.

SAFETY INSTRUCTIONS

Read these instructions carefully before commencing installation and retain for future reference. The luminaire should be installed by a licensed electrician and in accordance with local regulations. Make sure that the power is off before installation or maintenance. Install as described below.

Installation Instructions



1. This Havit Lighting product must be used with a DC 12V constant voltage driver. If an incorrect power source is used, this may damage the fitting and will also void warranty.
2. Do not look directly at the light - this may cause damage to eye sight.
3. Please note the correct cut out dimensions before beginning installation.
4. Ensure the fittings are correctly connected before switching power on.
5. If this fitting is altered in any way, the manufacturer warranty will be void.