

Luta Inground Light Installation Instructions



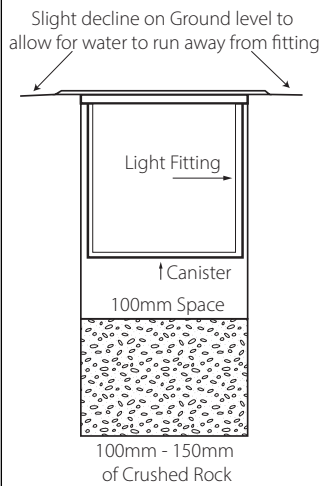
Product Specifications

Model No.	HV1825T	HV1825T-SQ
Name	Luta	
Material	316 Stainless Steel cover + Aluminium body	
Colour	Cover - Stainless Steel Body - Black	
Trafficable	Yes - 500kg	
Installation Type	Ground (Recessed)	
IP Rating	IP67	
IK Rating	IK10	
Input Voltage	12v DC Constant Voltage - External Power Supply Required	
Protection Class	(Low Voltage - No earth required) ⚡	
Lamp Base	MR16	
Lamp Wattage	1x 5w	
Colour Temp	TRI Colour - 3000k, 4000k, 5500k	
Lumens	270lm, 285lm, 300lm	
CRI	> 80	
Wiring	Parallel	
Dimmable	No (not with supplied globe)	
Warranty	3 Years Replacement*	

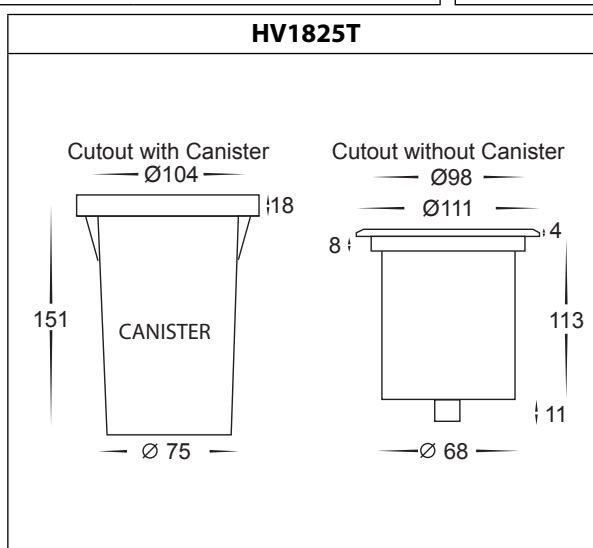
Important Safety Issues:

- This product must be installed by a qualified electrician according to AS/NZS 3000.
- Ensure all electrical mains are disconnected before any installation.
- Modification of this product will void any warranty.
- Havit Lighting does not take responsibility for wrong installation, incorrect use, or use of installation material that does not belong to the system.
- When installing low voltage fittings, Voltage to fitting must be within +or- 5% of voltage required, if not within this allowance warranty will be voided.
- Aluminium and 304SS fittings must not be installed within 5km of any salt water environments.
- All 316 stainless steel fittings must have regular cleaning maintenance to avoid any tea staining from forming on fitting. (Warranty does not cover Tea Staining)
- All o-rings and seals must be in place correctly to maintain warranty
- When installing inground light fittings, Adequate drainage must be allowed to prevent fittings from sitting in water for a long period of time, if no drainage is allowed, Warranty will be voided. (See sample adequate drainage diagram for correct installation method.)
- This form may be updated at any time due to product improvements, please check online installation form for most current version.

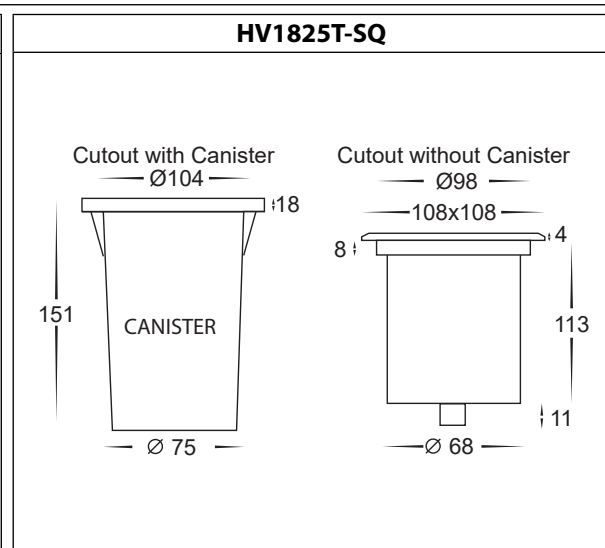
Adequate Drainage



HV1825T



HV1825T-SQ



Steps for Installation:

1. Make sure that the electrical circuit is free of voltage (master switch off)
2. Make a hole where fitting is to be placed using dimensions provided on line drawings, making sure adequate drainage is allowed.
3. Insert canister, and ensure that the top is level with ground or floor. Failure to do so will void warranty.
4. Using an appropriate 12v DC LED Driver - DO NOT CONNECT LIGHT FITTING DIRECTLY TO 240V
5. Connect the cable - If more than one fitting installed, wiring must be done in parallel.
6. Strip back the cable on both fitting and cable run and twist the positive cables together. Then connect neutral cables together
7. Solder all joins using solder and either a heat gun or butane gas torch.
8. Cover connections using an adhesive lined heat shrink or gel cap to make connection watertight. Failure to do this will void warranty.
9. Heat the heat shrink or crimp the gel cap making sure all connections are covered.
10. Colour temperature is preset to 3000K. To change, unscrew 4x nuts on back of fitting and set aside, Remove C-Clip and then globe by holding on the outer rim of the globe and gently pull, select desired colour temperature by moving switch on side of globe and reinsert globe by inserting the 2 pins into the lampholder and gently push down, Then reinsert C-Clip.
11. Adjust fitting to desired angle by pushing gently on either side of globe until you reach desired angle.
12. Reattach the 4x nuts and tighten making sure the seals are still in place and screws are tight to avoid any water penetration.
13. Tighten cable gland on bottom of fitting before inserting fitting into canister
14. Insert fitting into canister. Apply silicon around edge of fitting to prevent any water from getting inside to electrical connections.
15. All connections must be carried out carefully, inspect all contacts before switching back on the electric circuit.

Steps for Changing Globe:

1. To change, unscrew 4x nuts on back of fitting, Remove globe by grabbing around the edge and pulling gently, Re-insert the appropriate globe, making sure new lamp does not exceed max wattage, see product label for information.
2. Reattach the 4x nuts and tighten making sure the seals are still in place and screws are tight to avoid any water penetration.

Must be installed by a licensed electrician

Contact Details:

143 Beauchamp Road
Matraville NSW 2036
Australia

Tel: 02 9381 8300
Fax: 02 9666 8881
Email: sales@havit.com.au
Web: www.havit.com.au

Warranty Terms & Conditions*



Additional Information

