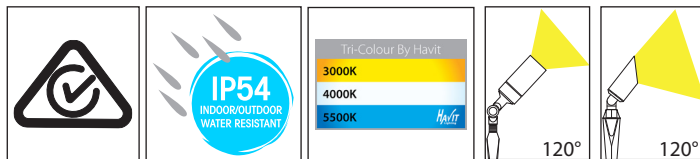


Laiton & Shawl Antique Brass Garden Spike Spot Lights



Product Specifications

Name	Laiton & Shawl
Material	Solid Brass with Plastic Spike
Colour	Antique Brass
IP Rating	IP54
Installation Type	Ground - Spike
Lamp Base	MR16
Max Wattage	1x 20w MR16
Protection Class	3 (No Earth Required)
Lamp Expectancy	<30,000hrs
Diffuser Type	Clear Glass
Cable Length	1000mm
CRI	CRI>80
Dimmable	No - Not with supplied globes
IK Rating	IK08
Warranty	3 Years Replacement*



HV1451T
Laiton

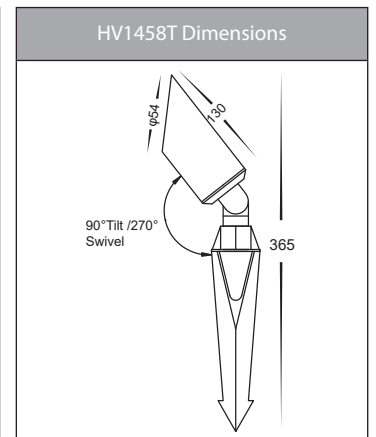
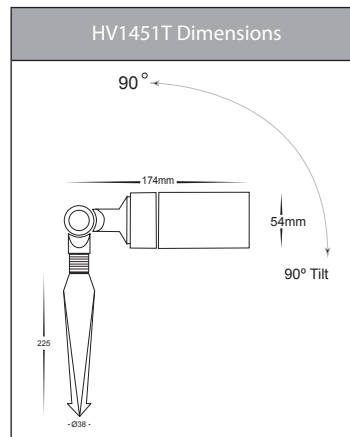
HV1458T
Shawl



i Solid Brass and Solid Copper fittings will naturally tarnish. Solid brass fittings with additional coatings (Antique Brass & Graphite) may tarnish through the coating when installed in outdoor environments.

Optional Havit Compatible Accessories

Image	Part Number	Colour Temp	Input Voltage	Beam Angle	Included LED
	HV9507	3000k 4000k 5500k	12v DC	60°	TRI Colour 3/5/7w MR16 LED
	HV9508	3000k 4000k 5500k	24v DC	60°	TRI Colour 3/5/7w MR16 LED
	12v DC LED Drivers	See Catalogue or Website for full range of 12v DC LED Drivers			
	HV9911	Small IP67 Weatherproof Connector			
	HV9912	Medium IP67 Weatherproof Connector			
	HV9913	Large IP67 Weatherproof Connector			



Product Ordering

Image	Part Number	Colour Temp	Lumens	Input Voltage	Beam Angle	Included LED	Barcode
	HV1451T	3000k 4000k 5500k	270lm 285lm 300lm	12v DC	120°	TRI Colour 5w MR16 LED	9350418015884
	HV1458T	3000k 4000k 5500k	270lm 285lm 300lm	12v DC	120°	TRI Colour 5w MR16 LED	9350418014337

*Items ordered after 01-01-2022

